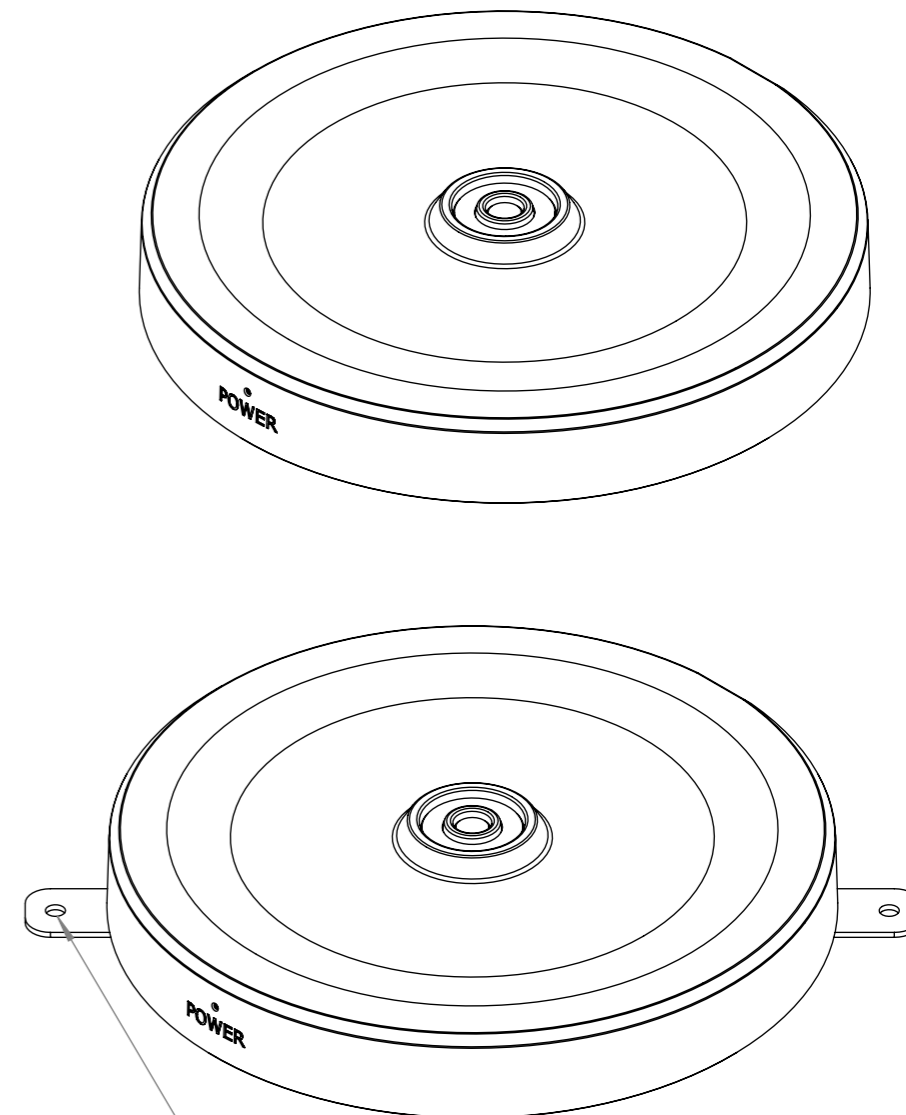
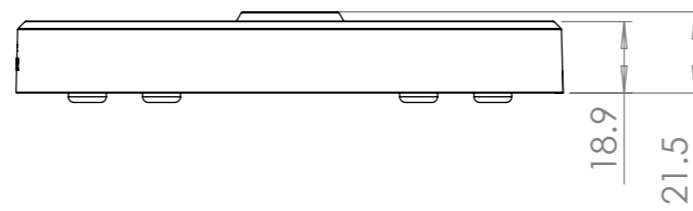
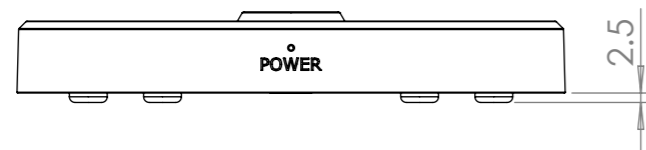
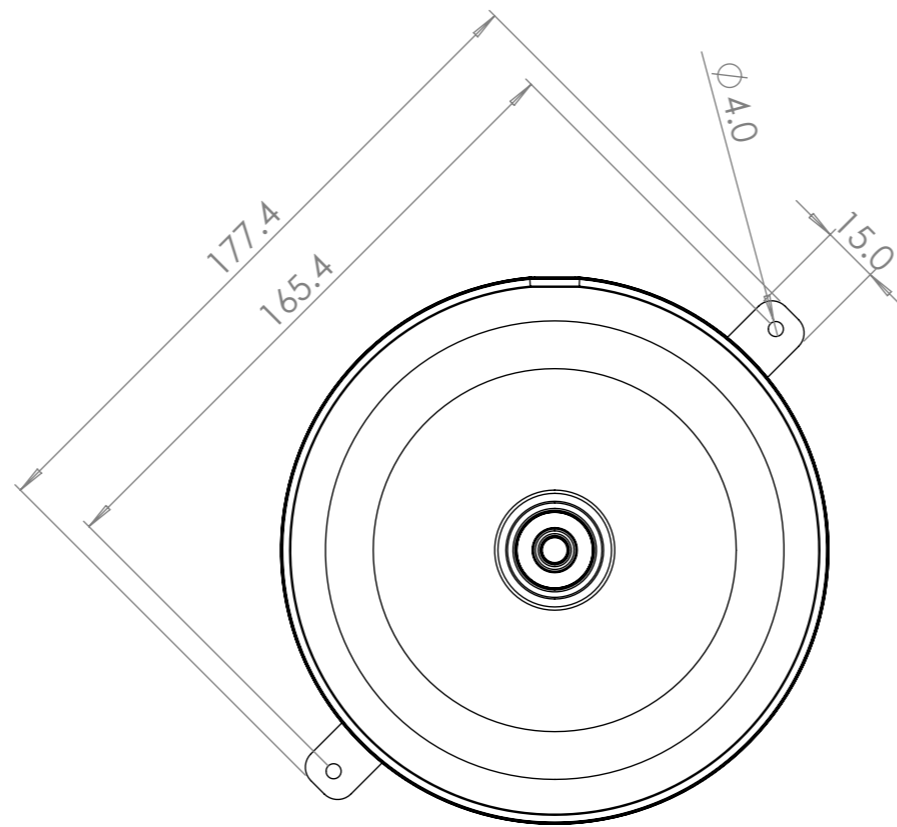
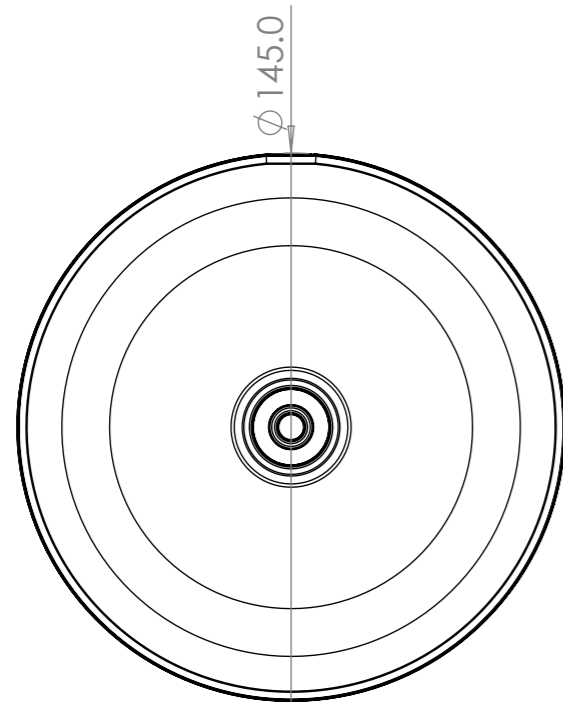
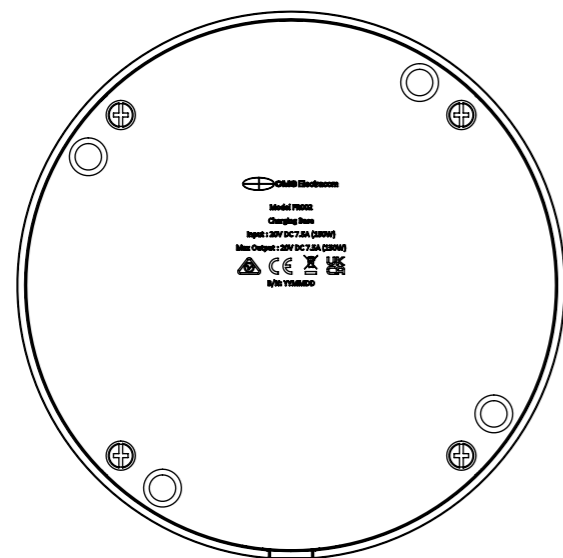


OPTIONAL FIXING TABS SHOWN BELOW




AVAILABLE WITH OPTIONAL FIXING TABS.
USER ASSEMBLY REQUIRED



PART NUMBER: FR002xxXX

NOTE - XX - COLOUR - WHITE OR BLACK
xx - LEAD TYPE - REFER TO PURCHASE ORDER

REV	DESCRIPTION	DATE	DRWN	APPV
6	OPTIONAL FIXING TABS ADDED	15/8/2023	JB	RG
5	PACKAGING DETAILS ADDED	6/4/2021	JB	RG
4	AC ADAPTER ADDED TO BOM	22/3/2021	JB	RG
3	ITEM 5 IN BOM (6G x 3/8" CSK self Tapping Screw) COLOUR UPDATED	1/12/2020	JB	RG
2	BOM UPDATED	27/11/2020	JB	RG
1	RELEASED FOR PRODCUTION	26/11/2020	JB	RG
REVISIONS				

CUSTOMER SIGNATURE:	TOLERANCES UNLESS OTHERWISE STATED: X ±0.5 X.X ±0.2 X.XX ±0.1 X.XXX ±0.05 ANG ±0.5°	 CMS Electracom		COPYRIGHT © 2020	
MATERIAL:		PC-FR			
FINISH:		TEXTURED / POLISHED			
COLOUR:	WHITE / BLACK			TITLE: FR002	
THIS DRAWING & ASSOCIATED CAD FILES ARE ISSUED IN THE STRICTEST CONFIDENCE AND ARE ONLY TO BE USED IN THE COMMERCIAL INTERESTS OF CMS ELECTRACOM PTY LTD		DRAWN IN mm TO AS1100 DO NOT SCALE		DRAWING: LU37359	REV: 6
		SCALE 1:2		SHEET 1 OF 3	
				A3	