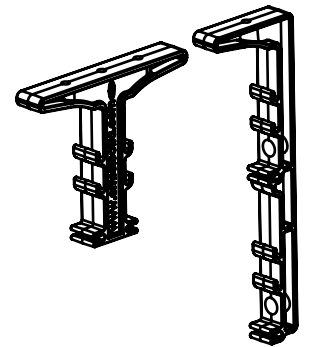
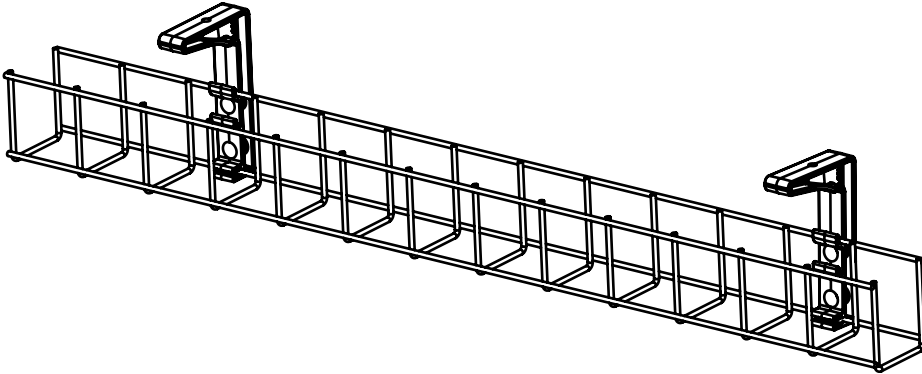


WIRE GRID BASKET

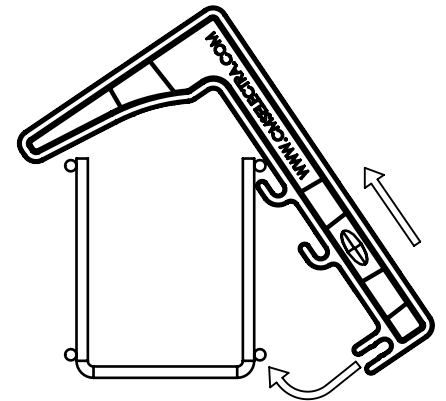
INSTALLATION INSTRUCTIONS



Alternative Brackets

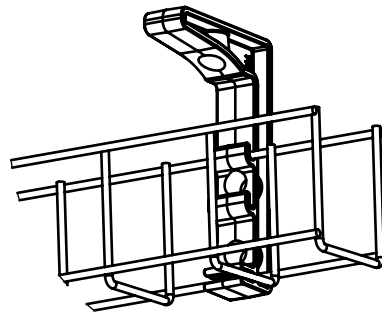
STEP 1- CLIP ON WIRE BASKET MOUNTING BRACKETS

Determine desired position of Mounting Brackets and clip on to wire basket by pushing upwards under top wire and then inwards until Bracket is clipped in securely



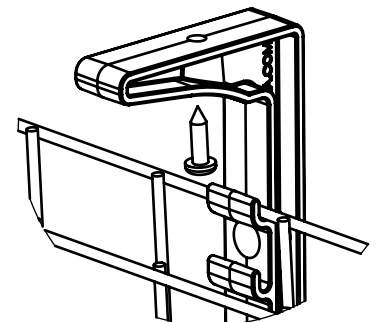
STEP 2- MARK HOLE POSITIONS

Align Brackets to underside of Desk Top and mark through holes in Brackets with a Pencil ensuring wire basket is running parallel with Desk



STEP 3- SCREW/AFFIX BRACKETS TO UNDERSIDE OF DESK TOP

Affix Brackets on to Desk using appropriate screws for Desk thickness



IMPORTANT:
PLEASE ENSURE APPROPRIATE SCREWS ARE USED TO SUIT DESK THICKNESS