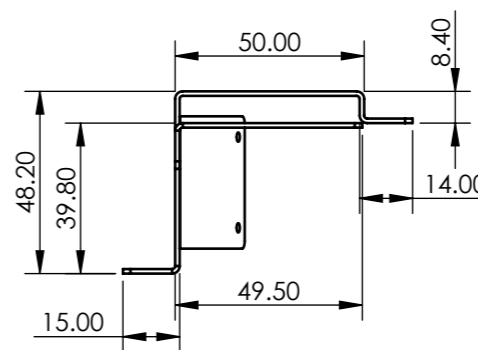
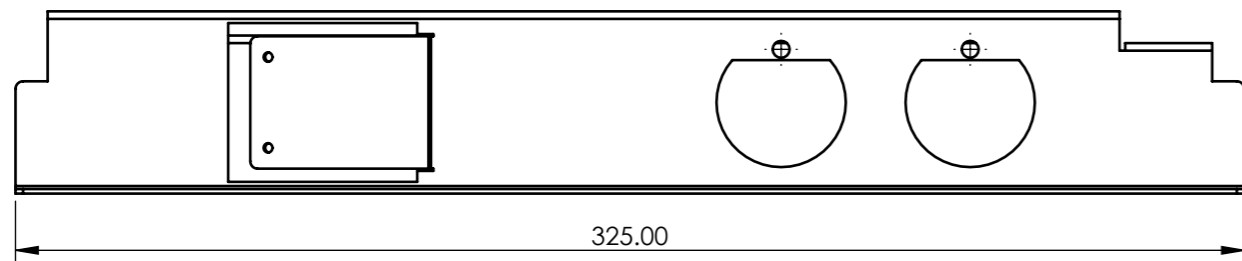
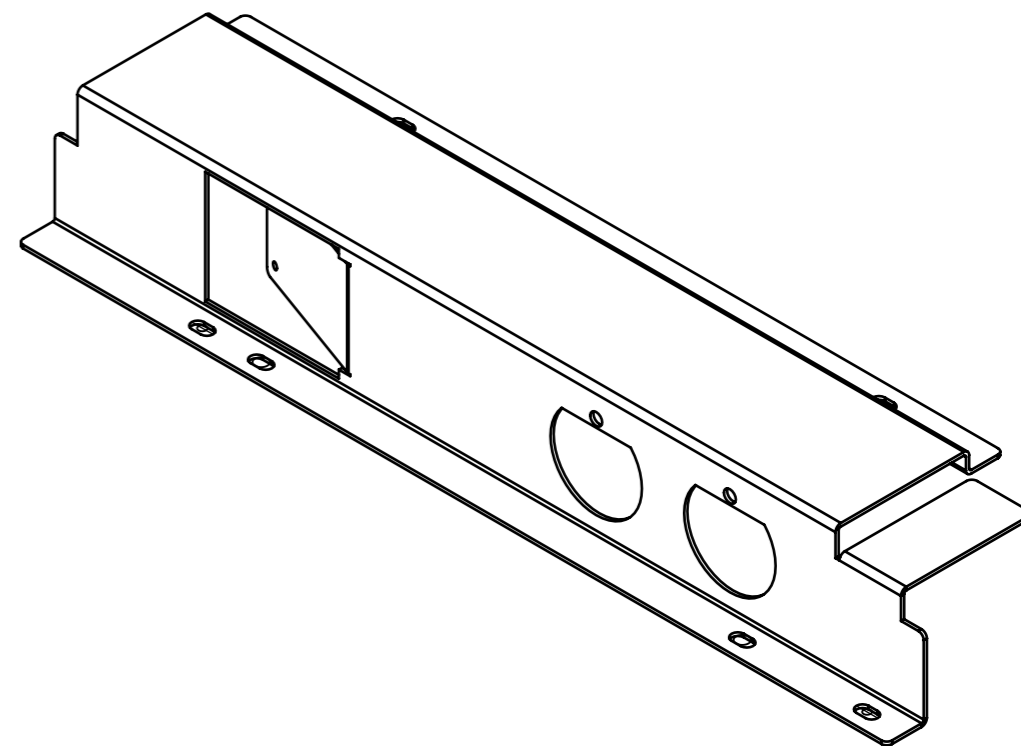
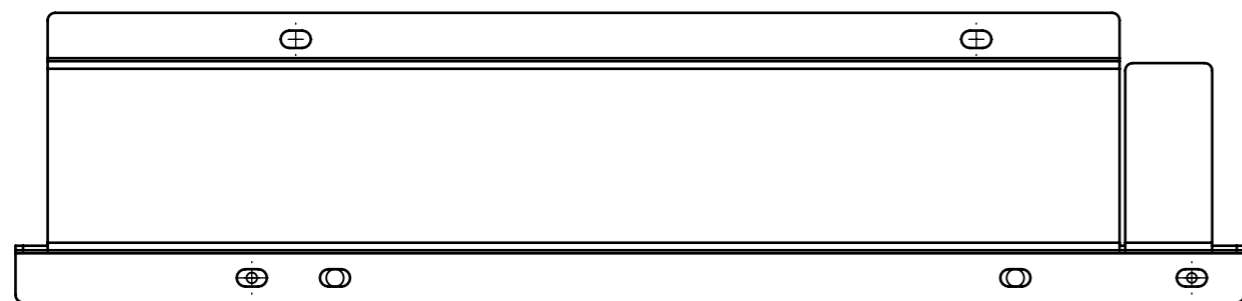

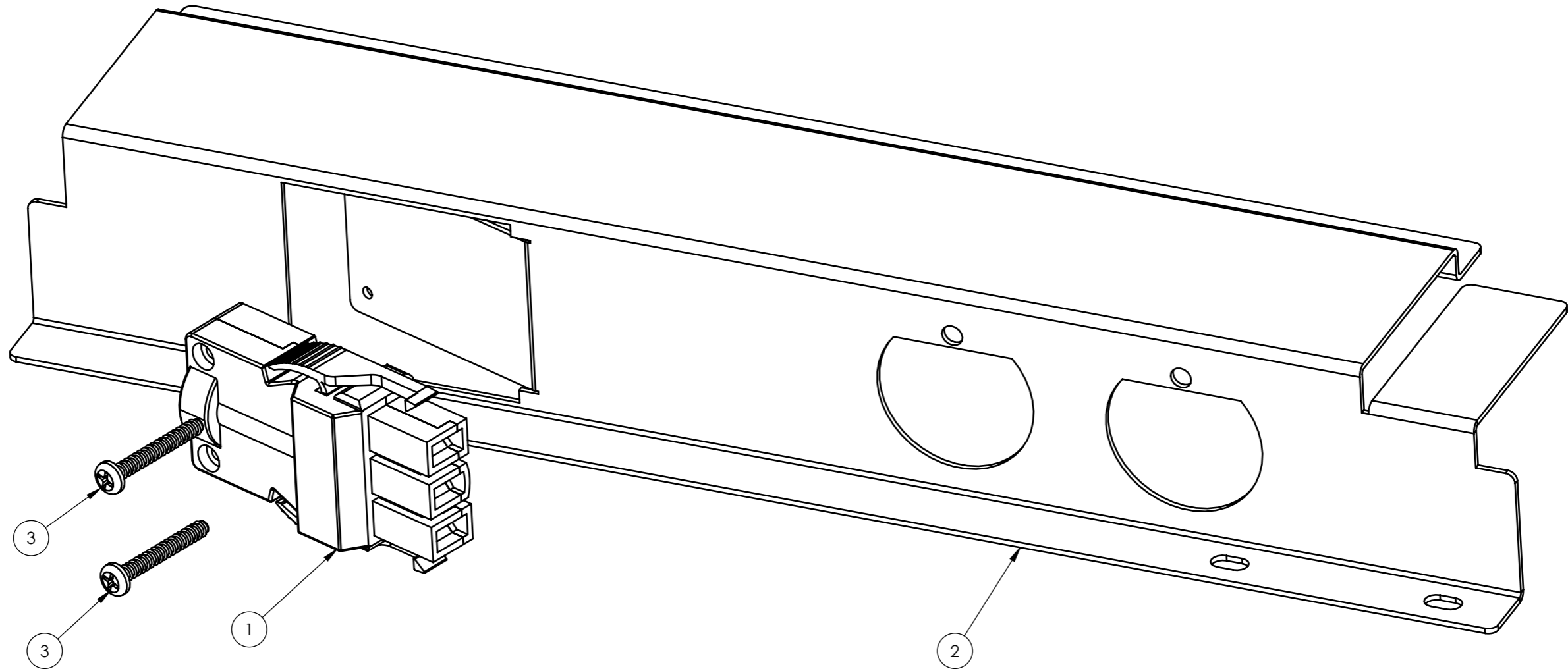


REV	DESCRIPTION	DATE	DRWN	APPV
4	MOVED GPO PORVISIONS	8/03/2018	JC	
3	ADDED 2 EXTRA SLOTS	8/07/2015	MHU	
2	MODIFIED	17/3/2015	L	
1	FOR PRODUCTION	26/8/2011	L	
	REVISIONS			

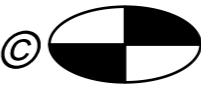
<b>MATERIAL:</b> 1.2mm MILD STEEL		<b>TOLERANCES UNLESS OTHERWISE STATED:</b>  X ±0.5 X.X ±0.2 X.XX ±0.1 X.XXX ±0.05 ANG ±0.5°			
<b>FINISH:</b> POWDER COAT		<b>COLOUR:</b> DULUX BLACK SATIN		<b>TITLE:</b> CMS FLOOR BOX 60mm LARGE 1 X STARTER + 2 X GPO PLATE	
THIS DRAWING & ASSOCIATED CAD FILES ARE ISSUED IN THE STRICTEST CONFIDENCE AND ARE ONLY TO BE USED IN THE COMMERCIAL INTERESTS OF ELECTRACOM PTY LTD				<b>DRAWING:</b> LU2501	
DRAWN IN MILLIMETERS USING AS1100 3RD ANGLE PROJECTION DO NOT SCALE				<b>REV:</b> 4	
				<b>A3</b>	
				SCALE 1:1	
				SHEET 1 OF 3	



<b>MATERIAL:</b> 1.2mm MILD STEEL		<b>TOLERANCES UNLESS OTHERWISE STATED:</b>  X ±0.5 X.X ±0.2 X.XX ±0.1 X.XXX ±0.05 ANG ±0.5°	 <b>CMS Electracom 2015</b>		
<b>FINISH:</b> POWDER COAT			<b>TITLE:</b> CMS FLOOR BOX 60mm LARGE 1 X STARTER + 2 X GPO PLATE		
<b>COLOUR:</b> DULUX BLACK SATIN			<b>DRAWING:</b> LU2501	<b>REV:</b> 4	<b>A3</b>
<small>THIS DRAWING &amp; ASSOCIATED CAD FILES ARE ISSUED IN THE STRICTEST CONFIDENCE AND ARE ONLY TO BE USED IN THE COMMERCIAL INTERESTS OF ELECTRACOM PTY LTD</small>		<small>DRAWN IN MILLIMETERS USING AS1100 3RD ANGLE PROJECTION DO NOT SCALE</small>		SCALE 1:2	



ITEM	PART NO	QTY
1	L3.20BK	1
2	LU2501_V4_CMS floor box 60mm large 1 x starter + 2 x GPO plate	1
3	PANHTS 0.138-20-type I-B-1-S	2

<b>MATERIAL:</b> 1.2mm MILD STEEL		<b>TOLERANCES UNLESS OTHERWISE STATED:</b>  X ±0.5 X.X ±0.2 X.XX ±0.1 X.XXX ±0.05 ANG ±0.5°		 <b>CMS Electracom 2015</b>	
<b>FINISH:</b> POWDER COAT		THIS DRAWING & ASSOCIATED CAD FILES ARE ISSUED IN THE STRICTEST CONFIDENCE AND ARE ONLY TO BE USED IN THE COMMERCIAL INTERESTS OF ELECTRACOM PTY LTD		<b>TITLE:</b> CMS FLOOR BOX 60mm LARGE 1 X STARTER + 2 X GPO PLATE	
<b>COLOUR:</b> DULUX BLACK SATIN				<b>DRAWING:</b> LU2501	
		DRAWN IN MILLIMETERS USING AS1100 3RD ANGLE PROJECTION DO NOT SCALE		SCALE 1:1	SHEET 3 OF 3