
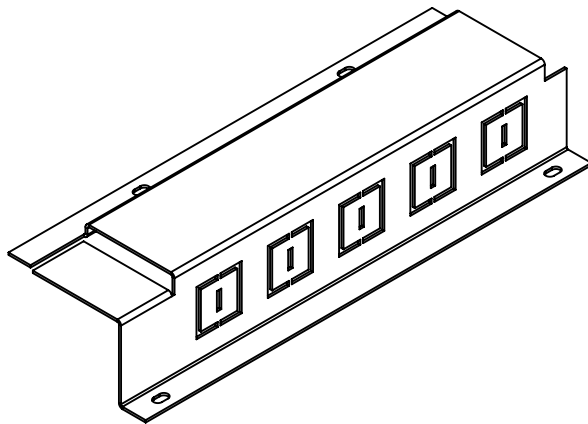
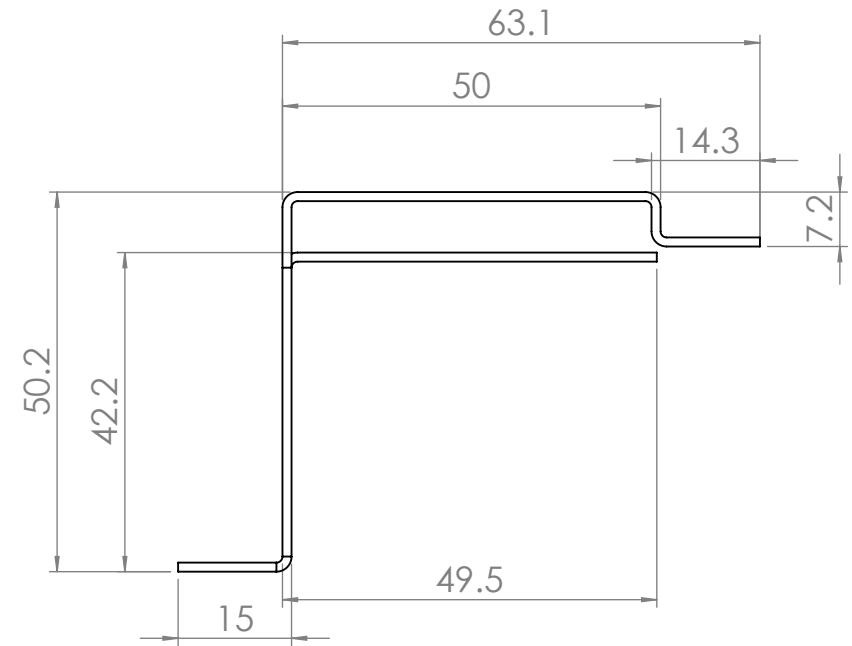
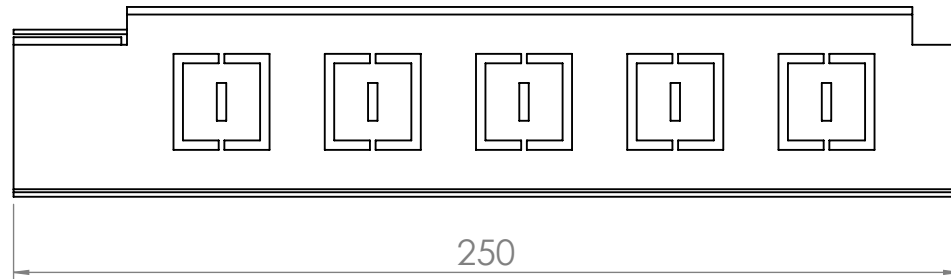



REVISION HISTORY		UNLESS OTHERWISE SPECIFIED: DIMENSIONS ARE IN MILLIMETERS		DO NOT SCALE DRAWING	REVISION 1
N.	DATE	MODIFICATIONS		 TITLE: FB3 data plate	
1	17/09/12	ISSUED FOR MANUFACTURING			
2					
3					
4					
5					
6					
7					
8					
9					
10					
11					
12					
13					
		TOLERANCES 0.00 ± 0.02 ANGULAR ± 0.5° 0.0 ± 0.1 0 ± 0.5 DEBUR AND BREAK SHARP EDGES			
		THE MATERIAL CONTAINED HEREIN IS THE SOLE PROPERTY OF CMS ELECTRACOM. ANY UNAUTHORIZED REPRODUCTIONS, MODIFICATIONS AND / OR DISTRIBUTION IS STRICTLY PROHIBITED.			
		NAME	DATE		
		LUCKY	17/09/12		
		MATERIAL:	1.2mm Steel	DWG NO.	LU-4097
		FINISH:	Powder coat black satin		
		FILE ON SHARED\CAD:	H:\Melbourne\CAD\Current Production Drawings	PART NO.	TBC
		FILE ON NAS:	Z:\Work_files\Floor boxes\CMS floor box\Production\FB 40mm\Small\FB3060	SCALE	1:2
				SHEET	1 OF 2
				A4	



REVISION HISTORY			UNLESS OTHERWISE SPECIFIED: DIMENSIONS ARE IN MILLIMETERS		DO NOT SCALE DRAWING		REVISION 1	
N.	DATE	MODIFICATIONS	TOLERANCES					
1	17/09/12	ISSUED FOR MANUFACTURING	0.00 ± 0.02	ANGULAR ± 0.5°				
2			0.0 ± 0.1		TITLE: FB3 data plate			
3			0 ± 0.5					
4			DEBUR AND BREAK SHARP EDGES		DWG NO. LU-4097			
5			THE MATERIAL CONTAINED HEREIN IS THE SOLE PROPERTY OF CMS ELECTRACOM. ANY UNAUTHORIZED REPRODUCTIONS, MODIFICATIONS AND / OR DISTRIBUTION IS STRICTLY PROHIBITED.					
6			NAME		DATE		PART NO. TBC	
7			LUCKY		17/09/12			
8			MATERIAL: 1.2mm Steel		SCALE 1:2		SHEET 2 OF 2	
9			FINISH: Powder coat black satin		FILE ON SHARED\CAD:			
10			FILE ON SHARED\CAD:		FILE ON NAS:		A4	
11			H:\Melbourne\CAD\Current Production Drawings		Z:\Work files\Floor boxes\CMS floor box\Production\FB 40mm\Small\FB3040			
12								
13								