
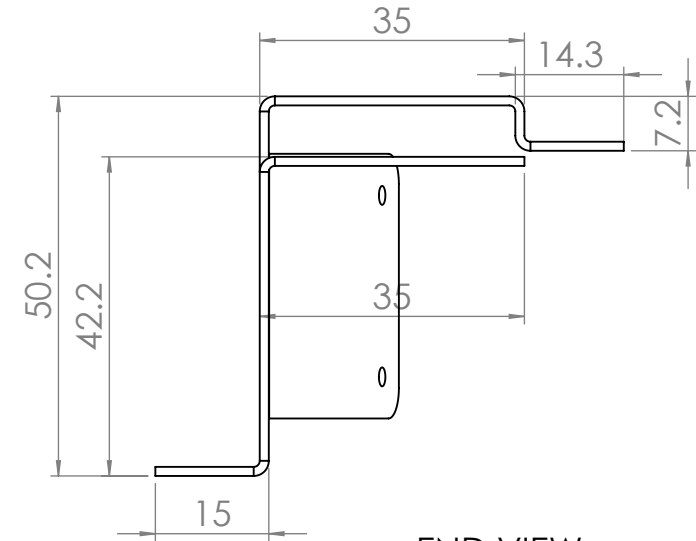
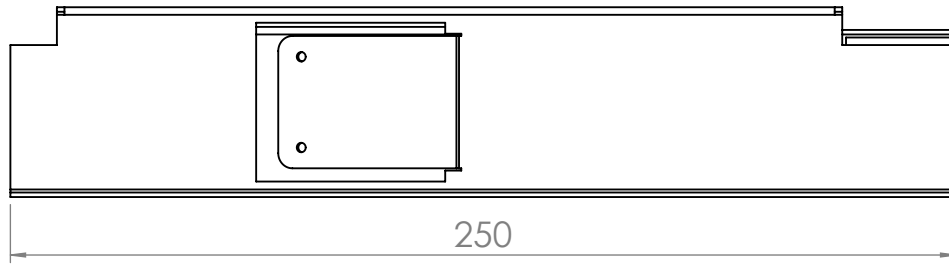
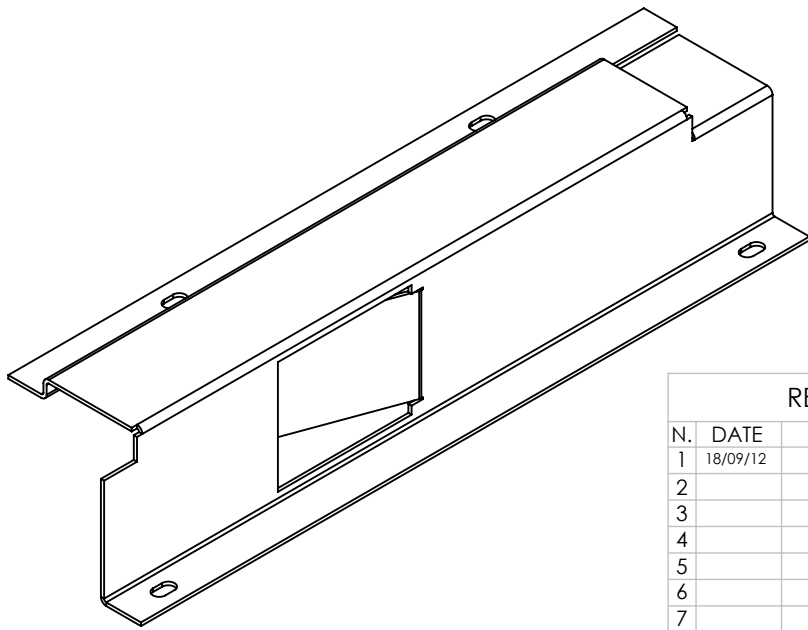



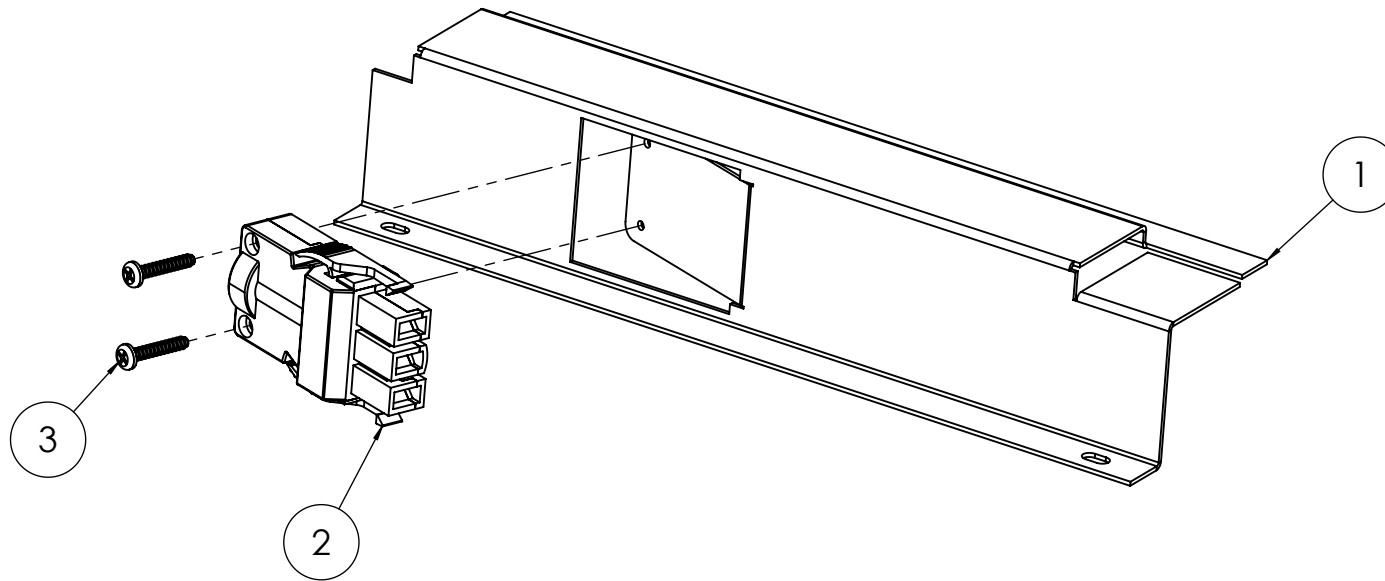
REVISION HISTORY			UNLESS OTHERWISE SPECIFIED: DIMENSIONS ARE IN MILLIMETERS		DO NOT SCALE DRAWING		REVISION 1	
N.	DATE	MODIFICATIONS	TOLERANCES		 CMS Electracom TITLE: FB3 single starter plate			
1	18/09/12	ISSUED FOR MANUFACTURING	0.00 ± 0.02 ANGULAR ± 0.5°					
2			0.0 ± 0.1					
3			0 ± 0.5					
4			DEBUR AND BREAK SHARP EDGES					
5			THE MATERIAL CONTAINED HEREIN IS THE SOLE PROPERTY OF CMS ELECTRACOM. ANY UNAUTHORIZED REPRODUCTIONS, MODIFICATIONS AND / OR DISTRIBUTION IS STRICTLY PROHIBITED.					
6			NAME	DATE				
7			LUCKY	18/09/12				
8			MATERIAL:	1.2mm Steel				
9			FINISH:	Powder coat black satin				
10			FILE ON SHARED\CAD:	H:\Melbourne\CAD\Current Production Drawings				
11			FILE ON NAS:	Z:\Work files\Floor boxes\CMS floor box\Production\FB 40mm\Small\FB3040				
12			DWG NO.	LU-4098	A4		SHEET 1 OF 3	
13			PART NO.	TBC				
			SCALE	1:1				




END VIEW
SCALE 1:1



REVISION HISTORY			UNLESS OTHERWISE SPECIFIED: DIMENSIONS ARE IN MILLIMETERS		DO NOT SCALE DRAWING		REVISION 1			
N.	DATE	MODIFICATIONS	TOLERANCES		 <p>CMS Electracom</p> <p>TITLE: FB3 single starter plate</p>					
1	18/09/12	ISSUED FOR MANUFACTURING	0.00 ±0.02	ANGULAR ± 0.5°						
2			0.0 ±0.1							
3			0 ±0.5							
4			DEBUR AND BREAK SHARP EDGES							
5			THE MATERIAL CONTAINED HEREIN IS THE SOLE PROPERTY OF CMS ELECTRACOM. ANY UNAUTHORIZED REPRODUCTIONS, MODIFICATIONS AND / OR DISTRIBUTION IS STRICTLY PROHIBITED.							
6			NAME						DATE	
7			LUCKY						18/09/12	
8			MATERIAL: 1.2mm Steel						DWG NO. LU-4098	
9			FINISH: Powder coat black satin						PART NO. TBC	
10			FILE ON SHARED\CAD:		A4					
11			H:\Melbourne\CAD\Current Production Drawings							
12			FILE ON NAS:							
13			Z:\Work files\Floor boxes\CMS floor box\Production\FB 60mm\Small\FB3060		SCALE 1:2		SHEET 2 OF 3			



ITEM NO.	PART NUMBER	QTY.
1	LU4098_V1_FB3 single starter plate	1
2	L3.20BK	1
3	6G x 3/4" blind pan head screw	2

REVISION HISTORY			UNLESS OTHERWISE SPECIFIED: DIMENSIONS ARE IN MILLIMETERS		DO NOT SCALE DRAWING		REVISION 1		
N.	DATE	MODIFICATIONS	TOLERANCES						
1	18/09/12	ISSUED FOR MANUFACTURING	0.00 ± 0.02	ANGULAR ± 0.5°					TITLE: FB3 single starter plate
2			0.0 ± 0.1						
3			0 ± 0.5						
4			DEBUR AND BREAK SHARP EDGES						
5			THE MATERIAL CONTAINED HEREIN IS THE SOLE PROPERTY OF CMS ELECTRACOM. ANY UNAUTHORIZED REPRODUCTIONS, MODIFICATIONS AND / OR DISTRIBUTION IS STRICTLY PROHIBITED.						
6			NAME	DATE					
7			LUCKY	18/09/12					
8			MATERIAL:	1.2mm Steel					
9			FINISH:	Powder coat black satin					
10			FILE ON SHARED\CAD:	H:\Melbourne\CAD\Current Production Drawings					
11			FILE ON NAS:	Z:\Work files\Floor boxes\CMS floor box\Production\FB 60mm\Small\FB3060					
12			DWG NO.	LU-4098	A4				
13			PART NO.	TBC					
			SCALE	N/A	SHEET	3 OF 3			