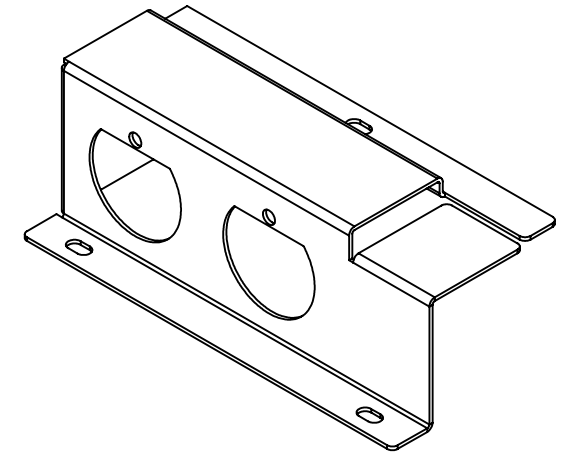
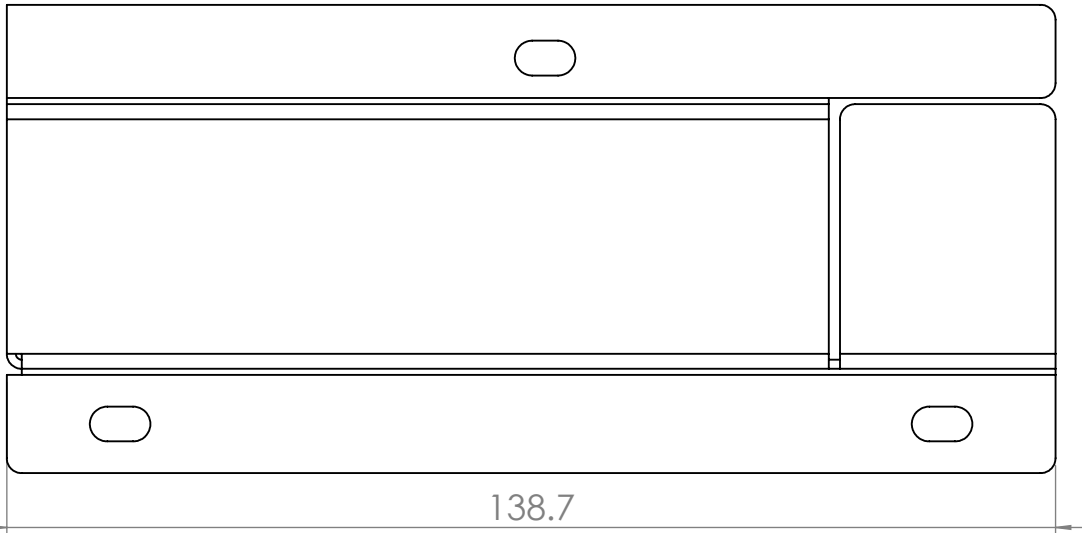
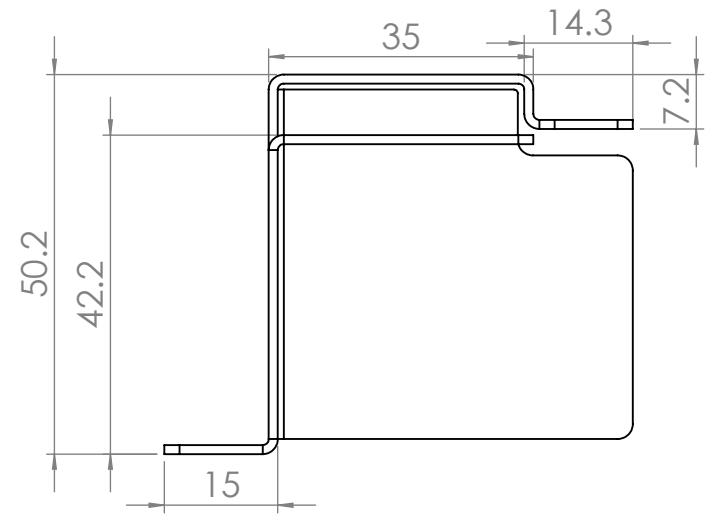
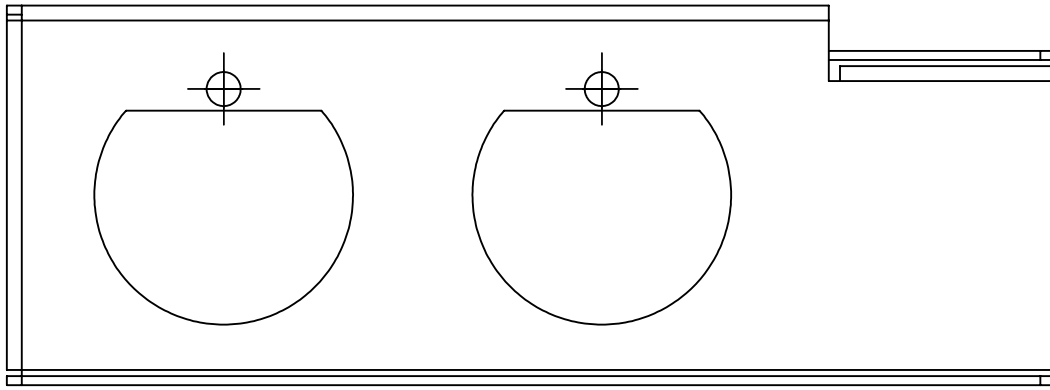

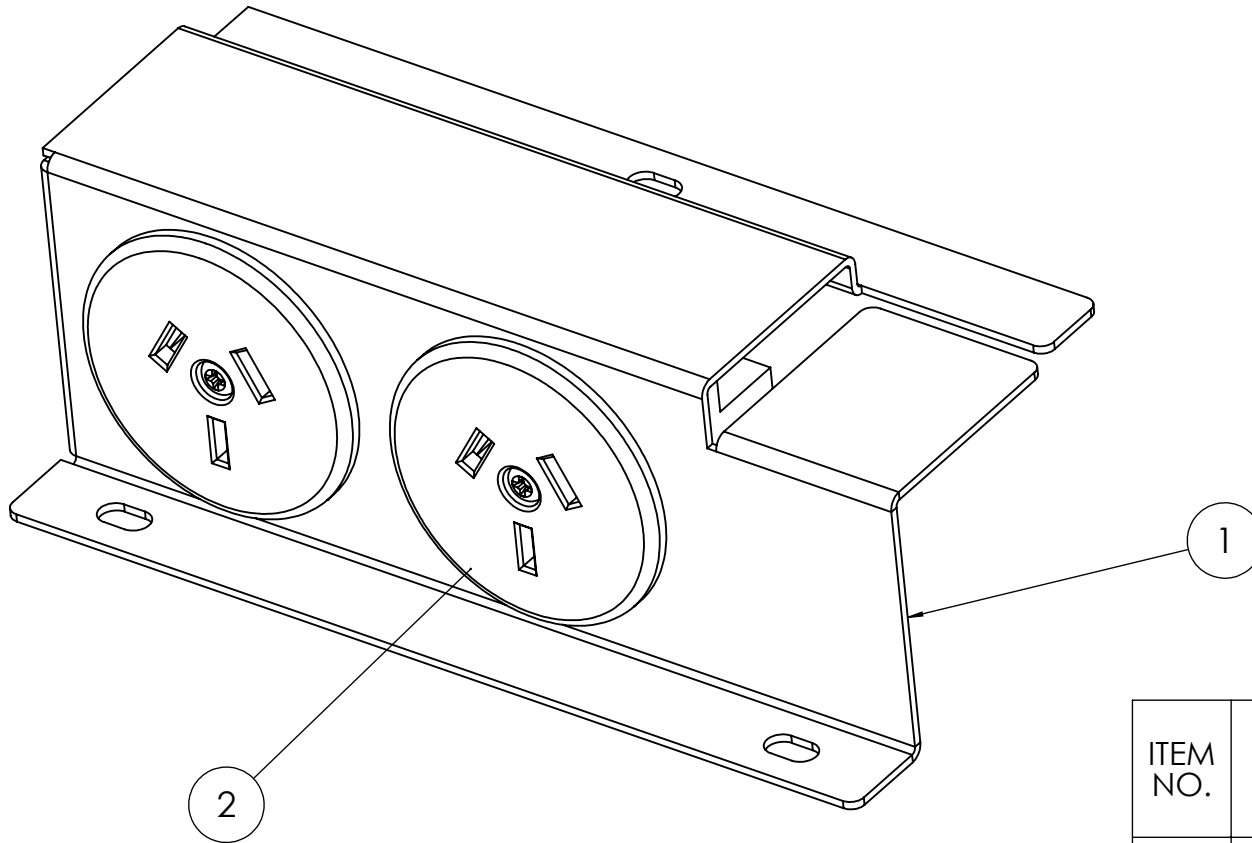


REVISION HISTORY		DO NOT SCALE DRAWING UNLESS OTHERWISE SPECIFIED: DIMENSIONS ARE IN MILLIMETERS		DO NOT SCALE DRAWING		REVISION	
DATE	MODIFICATIONS	TOLERANCES				1	
23/06/14	ISSUED FOR MANUFACTURING	0.00 ± 0.02 0.0 ± 0.1 0 ± 0.5		ANGULAR ± 0.5°			
		DIMENSIONS IN AN OBBROUND ARE CRITICAL & MUST BE CHECKED					
		THE MATERIAL CONTAINED HEREIN IS THE SOLE PROPERTY OF CMS ELECTRACOM. ANY UNAUTHORIZED REPRODUCTIONS, MODIFICATIONS AND / OR DISTRIBUTION IS STRICTLY PROHIBITED.		TITLE:		FB3 short dual power plate	
		NAME	DATE	DWG NO.		CHECKED BY	
		LUCKY	23/06/14	LU6732			
		MATERIAL: 1.2mm Steel		PART NO.		CUSTOMER APPROVAL	
		FINISH: Powder coat black satin		X			
		FILE ON SHARED\CAD: H:\Melbourne\CAD\Current Production Drawings		SCALE		SHEET	
		FILE ON NAS: Z:\Work files\Floor boxes\FB\FB 60mm\Small\FB3060		NTS		1 OF 3	
						A4	






REVISION HISTORY		DO NOT SCALE DRAWING UNLESS OTHERWISE SPECIFIED: DIMENSIONS ARE IN MILLIMETERS		DO NOT SCALE DRAWING	REVISION	1
DATE	MODIFICATIONS	TOLERANCES		 CMS Electracom		
23/06/14	ISSUED FOR MANUFACTURING	0.00 ±0.02	ANGULAR ±0.5°			
		0.0 ±0.1		TITLE: FB3 short dual power plate		
		0 ±0.3				
		DIMENSIONS IN AN OBROUND ARE CRITICAL & MUST BE CHECKED		DWG NO. LU6732		
		THE MATERIAL CONTAINED HEREIN IS THE SOLE PROPERTY OF CMS ELECTRACOM. ANY UNAUTHORIZED REPRODUCTIONS, MODIFICATIONS AND / OR DISTRIBUTION IS STRICTLY PROHIBITED.				
		NAME	DATE	CHECKED BY CUSTOMER APPROVAL		
		LUCKY	23/06/14			
		MATERIAL: 1.2mm Steel		SCALE NTS		
		FINISH: Powder coat black satin				
		FILE ON SHARED\CAD: H:\Melbourne\CAD\Current Production Drawings		SHEET 2 OF 3		
		FILE ON NAS: Z:\Work files\Floor boxes\FB\FB 60mm\Small\FB3060				
				A4		



ITEM NO.	PART NUMBER	QTY.
1	LU6732_V1_FB3 short dual power plate	1
2	10a round GPO black	2

REVISION HISTORY		DO NOT SCALE DRAWING		DO NOT SCALE DRAWING		REVISION	
DATE	MODIFICATIONS	UNLESS OTHERWISE SPECIFIED: DIMENSIONS ARE IN MILLIMETERS		TOLERANCES		1	
23/06/14	ISSUED FOR MANUFACTURING	0.00 ± 0.02	ANGULAR ± 0.5°			TITLE: FB3 short dual power plate	
		0.0 ± 0.1					
		0 ± 0.5					
		DIMENSIONS IN AN OUBOUND ARE CRITICAL & MUST BE CHECKED		THE MATERIAL CONTAINED HEREIN IS THE SOLE PROPERTY OF CMS ELECTRACOM. ANY UNAUTHORIZED REPRODUCTIONS, MODIFICATIONS AND / OR DISTRIBUTION IS STRICTLY PROHIBITED.			
				NAME		DATE	
				LUCKY		23/06/14	
		MATERIAL: 1.2mm Steel		DWG NO.		LU6732	
		FINISH: Powder coat black satin		PART NO.		X	
		FILE ON SHARED\CAD: H:\Melbourne\CAD\Current Production Drawings		SCALE		NTS	
		FILE ON NAS: Z:\Work_files\Floor boxes\FB\FB 60mm\Small\FB3060		CHECKED BY		CUSTOMER APPROVAL	
				SHEET		3 OF 3	
						A4	