
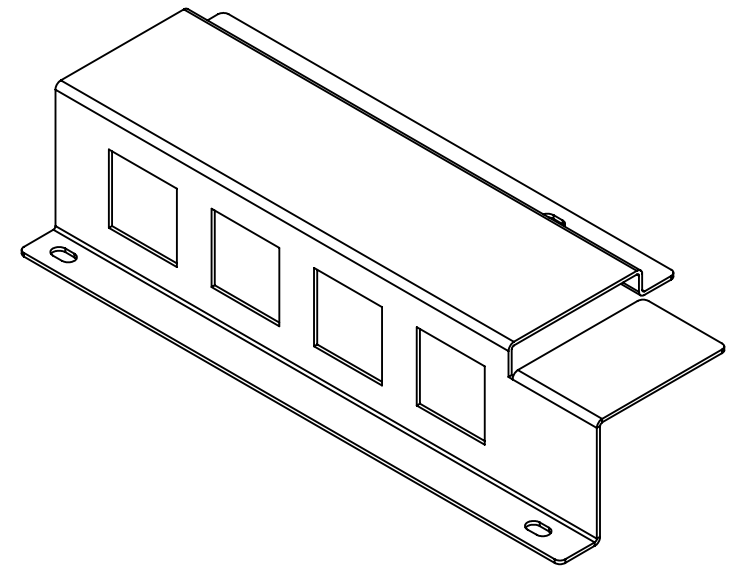
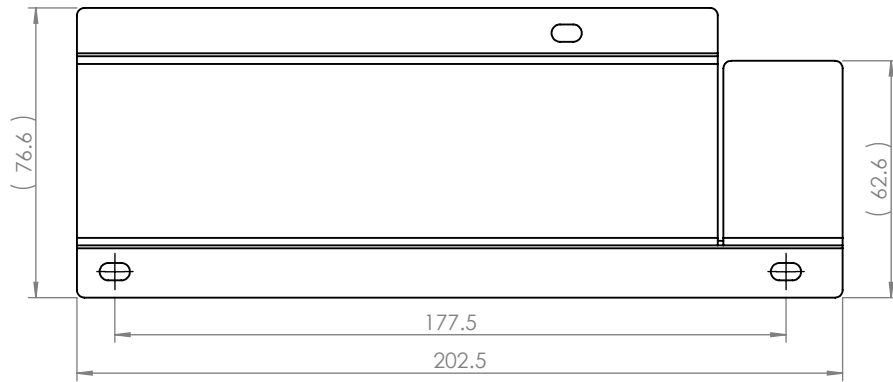
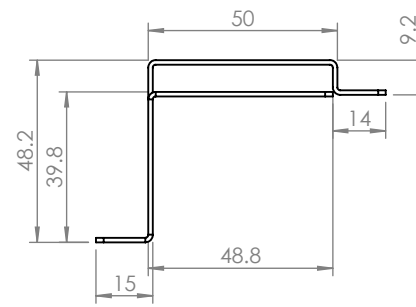
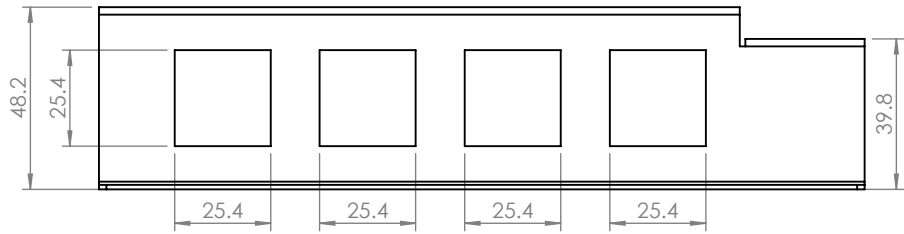

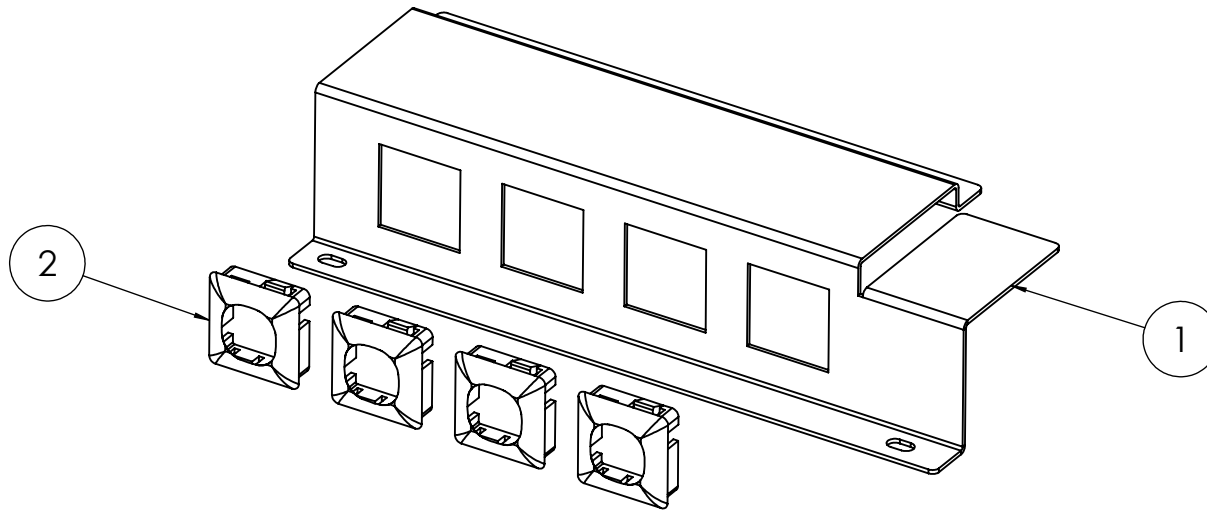



REVISION HISTORY		DO NOT SCALE DRAWING UNLESS OTHERWISE SPECIFIED: DIMENSIONS ARE IN MILLIMETERS		DO NOT SCALE DRAWING		REVISION	
DATE	MODIFICATIONS	TOLERANCES		1			
3/10/14	ISSUED FOR MANUFACTURING	0.00 ± 0.02    ANGULAR ± 0.5° 0.0 ± 0.1 0 ± 0.5					
		DIMENSIONS IN AN OBBROUND ARE CRITICAL & MUST BE CHECKED					
		THE MATERIAL CONTAINED HEREIN IS THE SOLE PROPERTY OF CMS ELECTRACOM. ANY UNAUTHORIZED REPRODUCTIONS, MODIFICATIONS AND / OR DISTRIBUTION IS STRICTLY PROHIBITED.		TITLE:			
		NAME		FB4060 small data plate			
		DATE					
		LL		3/10/14			
		MATERIAL: 1.2mm Steel		DWG NO. LU7379		CHECKED BY	
		FINISH: Powder coat black satin		PART NO. X		CUSTOMER APPROVAL	
		FILE ON SHARED\CAD: H:\Melbourne\CAD\Current Production Drawings		SCALE NTS		SHEET 1 OF 3	
		FILE ON NAS: Z:\Work files\Floor boxes\FB\FB 60mm\Large\Plates				A4	



REVISION HISTORY		DO NOT SCALE DRAWING		UNLESS OTHERWISE SPECIFIED:		DO NOT SCALE DRAWING		REVISION					
DATE	MODIFICATIONS	TOLERANCES		DIMENSIONS ARE IN MILLIMETERS				1					
3/10/14	ISSUED FOR MANUFACTURING	0.00 ± 0.02		ANGULAR ± 0.5°									
		0.0 ± 0.1											
		0 ± 0.5		DIMENSIONS IN AN OUBROUND ARE CRITICAL & MUST BE CHECKED		TITLE:  <b>FB4060 small data plate</b>							
				THE MATERIAL CONTAINED HEREIN IS THE SOLE PROPERTY OF CMS ELECTRACOM. ANY UNAUTHORIZED REPRODUCTIONS, MODIFICATIONS AND / OR DISTRIBUTION IS STRICTLY PROHIBITED.									
				<table border="1"> <thead> <tr> <th>NAME</th> <th>DATE</th> </tr> </thead> <tbody> <tr> <td>LL</td> <td>3/10/14</td> </tr> </tbody> </table>		NAME	DATE	LL	3/10/14				
NAME	DATE												
LL	3/10/14												
		MATERIAL: 1.2mm Steel		DWG NO. LU7379		CHECKED BY							
		FINISH: Powder coat black satin		PART NO. X		CUSTOMER APPROVAL		A4					
		FILE ON SHARED\CAD:		SCALE NTS		SHEET 2 OF 3							
		H:\Melbourne\CAD\Current Production Drawings											
		FILE ON NAS:											
		Z:\Work files\Floor boxes\FB 40mm\Large\Plates											



ITEM NO.	PART NUMBER	QTY.
1	LU7379_V1_FB4060 small data plate	1
2	BEZBK	4

REVISION HISTORY		DO NOT SCALE DRAWING		REVISION 1	
DATE	MODIFICATIONS				
3/10/14	ISSUED FOR MANUFACTURING				
		<small>DO NOT SCALE DRAWING UNLESS OTHERWISE SPECIFIED: DIMENSIONS ARE IN MILLIMETERS TOLERANCES 0.00 ±0.02 ANGULAR ± 0.5° 0.0 ±0.1 0 ±0.5 DIMENSIONS IN AN OBOURND ARE CRITICAL &amp; MUST BE CHECKED</small>		<small>TITLE:</small>  <b>FB4060 small data plate</b>	
		<small>THE MATERIAL CONTAINED HEREIN IS THE SOLE PROPERTY OF CMS ELECTRACOM. ANY UNAUTHORIZED REPRODUCTIONS, MODIFICATIONS AND / OR DISTRIBUTION IS STRICTLY PROHIBITED.</small>	<small>NAME</small> LL	<small>DATE</small> 3/10/14	<small>DWG NO.</small> LU7379
		<small>MATERIAL:</small> 1.2mm Steel <small>FINISH:</small> Powder coat black satin <small>FILE ON SHARED\CAD:</small> H:\Melbourne\CAD\Current Production Drawings <small>FILE ON NAS:</small> Z:\Work files\Floor boxes\FB\FB 60mm\Large\Plates	<small>CHECKED BY</small>	<small>CUSTOMER APPROVAL</small>	A4
		<small>SCALE</small> NTS	<small>SHEET</small> 3 OF 3		