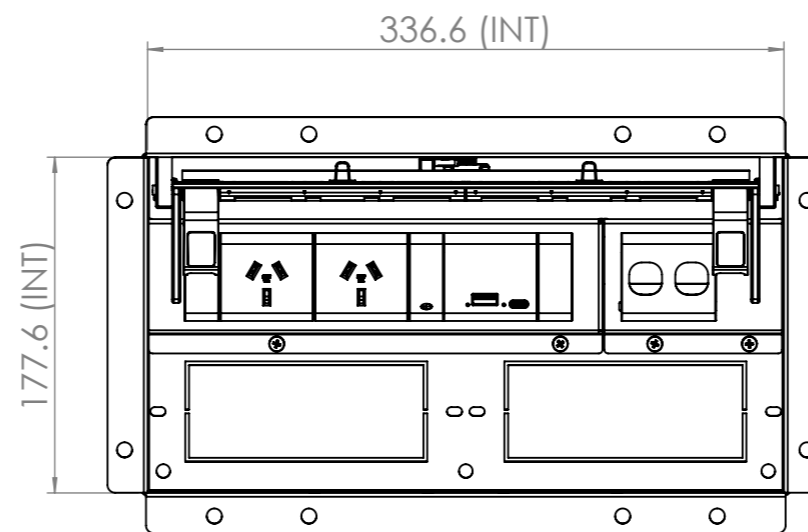
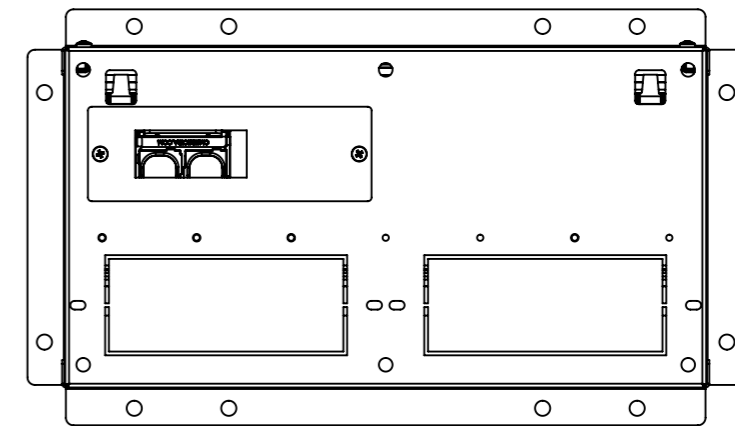


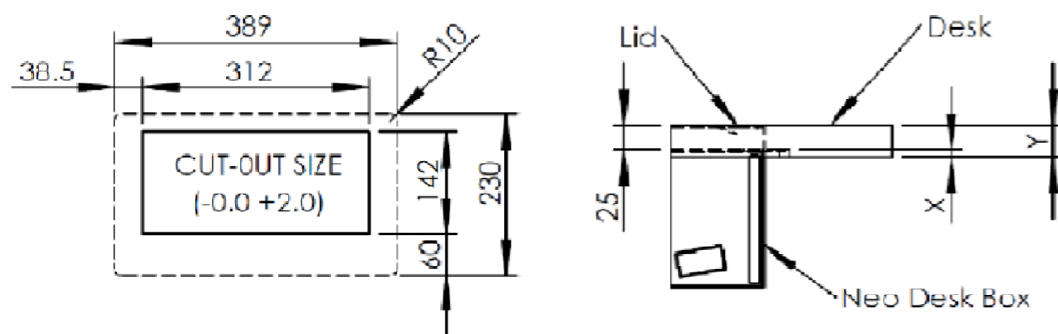
SECTION A-A  
SCALE 1 : 4



TOP VIEW - LID OPEN



BOTTOM VIEW



SECTION

Note:  
Dashed line shows Rebate Perimeter  
(Only needed when Desk thickness is  
greater than 25mm.)  
For Rebate Depth:  
Desk Thickness(Y) - 25mm = Rebate(X)

**PART NUMBER: NE102UAC302**

|   |  |
|---|--|
| <b>CUSTOMER SIGNATURE:</b>                              | <b>TOLERANCES UNLESS OTHERWISE STATED:</b> |
| <b>MATERIAL:</b> POLYCARBONATE / MILD STEEL / ALUMINIUM | X ±0.5                                     |
| <b>FINISH:</b> FINE EDM / POWDER COATED / BEAD BLASTED  | X.X ±0.2                                   |
| <b>COLOUR:</b> GPO BLACK / SMOOTH BLACK / SILVER        | X.XX ±0.1                                  |
|   | X.XXX ±0.05                                |
|   | ANG ±0.5°                                  |

TOLERANCES UNLESS OTHERWISE STATED:



**CMS Electracom**

COPYRIGHT © 2020

TITLE:

NE102UAC02 NEO SLB 2 GPO + 1 USB  
AC + 2 DATA

DRAWING:

LU41199

REV:

2

A3

THIS DRAWING & ASSOCIATED CAD FILES ARE ISSUED IN THE STRICTEST CONFIDENCE AND ARE ONLY TO BE USED IN THE COMMERCIAL INTERESTS OF CMS ELECTRACOM PTY LTD

DRAWN IN mm TO AS1100 DO NOT SCALE



SCALE 1:4

SHEET 1 OF 3

| REV       | DESCRIPTION                      | DATE       | DRWN | APPV |
|-----------|----------------------------------|------------|------|------|
| 2         | UPDATED BOM/ADDED REBATE DETAILS | 06/07/2023 | GC   | AP   |
| 1         | RELEASED FOR PRODUCTION          | 20/09/2022 | AB   | AP   |
| REVISIONS |                                  |            |      |      |