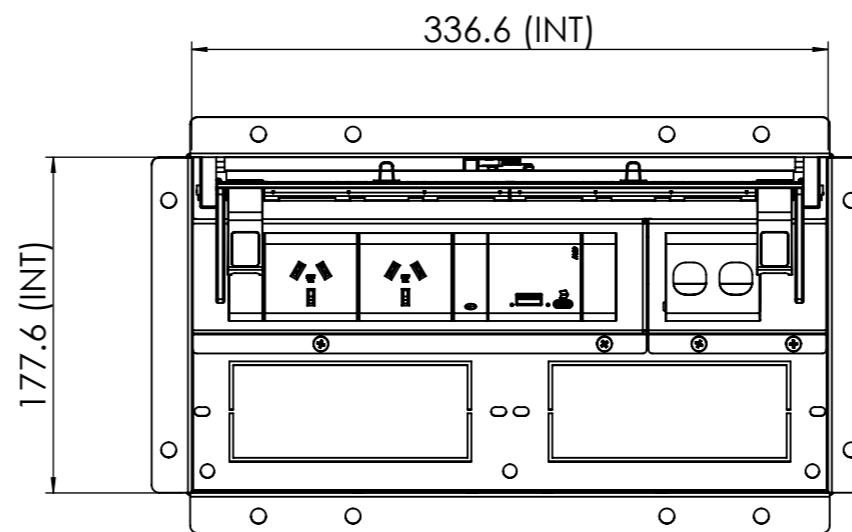
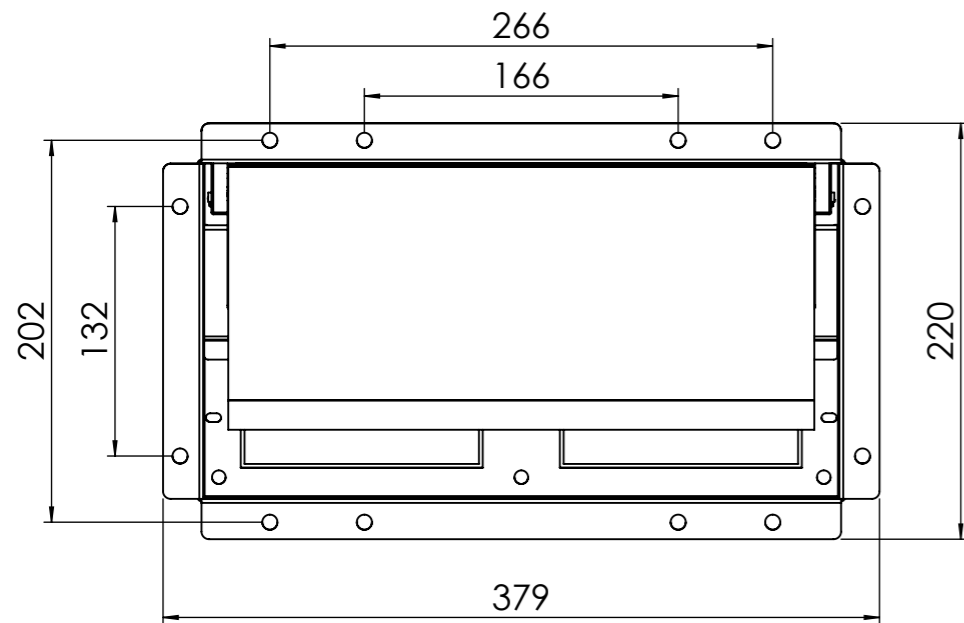
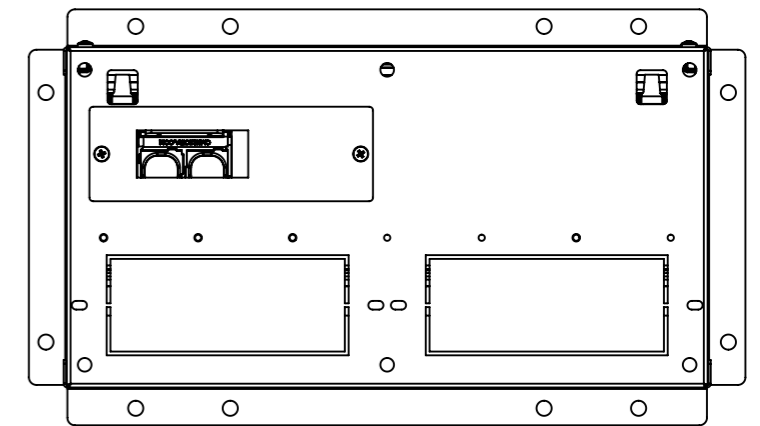


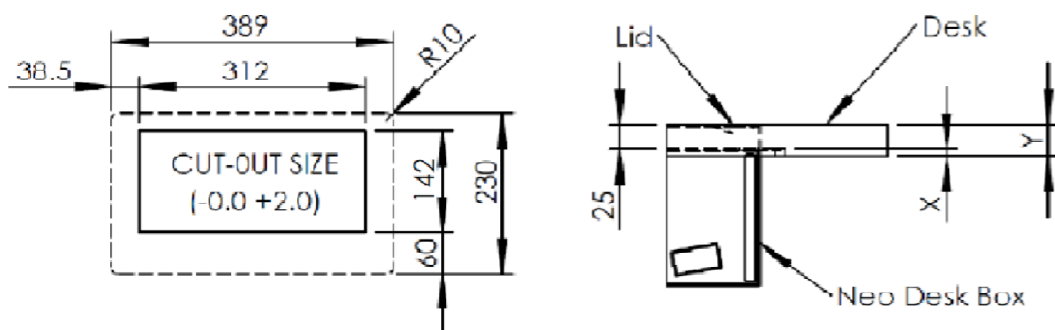
SECTION A-A
SCALE 1 : 4



TOP VIEW - LID OPEN



BOTTOM VIEW



SECTION

Note:
Dashed line shows Rebate Perimeter
(Only needed when Desk thickness is
greater than 25mm.)
For Rebate Depth:
Desk Thickness(Y) - 25mm = Rebate(X)

PART NUMBER: NE102UAC6502

CUSTOMER SIGNATURE:	TOLERANCES UNLESS OTHERWISE STATED: X ±0.5 X.X ±0.2 X.XX ±0.1 X.XXX ±0.05 ANG ±0.5°
MATERIAL: POLYCARBONATE / MILD STEEL / ALUMINIUM	
FINISH: FINE EDM / POWDER COATED / BEAD BLASTED	
COLOUR: GPO BLACK / SMOOTH BLACK / SILVER	

TOLERANCES UNLESS OTHERWISE STATED:



TITLE:
NE102UAC6502 NEO SINGLE LID WITH 2 GPO+1 USB AC 65W CHARGER+2 DATA

DRAWING: LU44393
REV: 1

1	RELEASED FOR PRODUCTION	31/10/2023	GC	AP
REV	DESCRIPTION	DATE	DRWN	APPV
REVISIONS				

THIS DRAWING & ASSOCIATED CAD FILES ARE ISSUED IN THE STRICTEST CONFIDENCE AND ARE ONLY TO BE USED IN THE COMMERCIAL INTERESTS OF CMS ELECTRACOM PTY LTD

DRAWN IN mm TO AS1100 DO NOT SCALE

SCALE 1:4 SHEET 1 OF 3

A3