

140W INLINE CHARGER

USB Charging

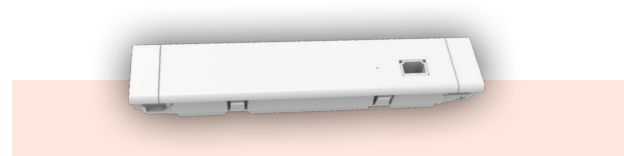


140W INLINE CHARGER

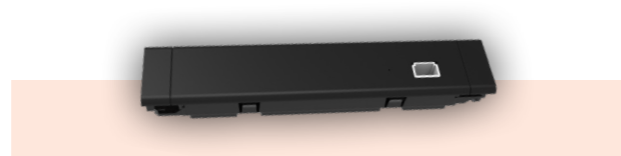
USB Charging

Our new 140W Inline USB Fast Charger is a modular charging solution, designed for enterprise in mind and able to deliver very high charging output. It offers an amazing 140W of power output, perfect for high powered laptops such as the latest Apple Macbook Pro while also able to fast charge smartphones.

This module has been designed to be integrated with our TAG softwiring, making it perfect for new and existing fitouts. When used with our WGCB clip, it can be mounted on our wire grid baskets or be screwed to a wall/up to the underside of a table.



140W Charging Module - White



140W Charging Module - Black

SW18UAC140

140W Inline Charging Module (140W 12 Pin Connector)

Colours Available

● Black ○ White

Key features

- Below desk power supply saves space above the desk
- Powerful 140W USB-PD Fast-Charge
- Capable of delivering optimum charging to most laptops and smartphones simultaneously
- Able to be integrated with some of our Power Rails and In-Desk Modules

Compatible With

Above Surface



Athena Rails



Nova & Viva Rails



Zeus Rails



Dynamo USB Spacer

Recessed / In-Surface



Blinky



KonexUS



Echo Series

Below surface



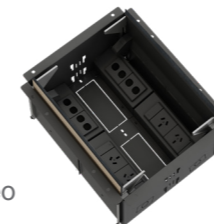
140W USB-C Under-Desk Module



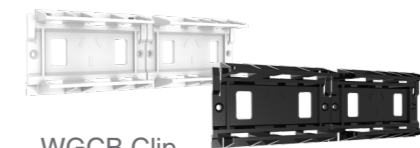
Accede



Executive



Neo



WGCB Clip

Soft Seating



140W USB-C Clip-in Bezel



Echo Series

Application Settings



Workstations



Meeting Rooms



Collaborative Spaces



Soft Seating

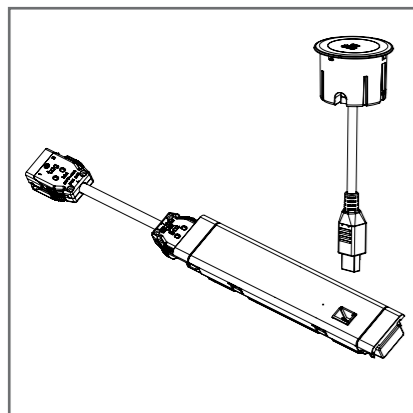


General Areas

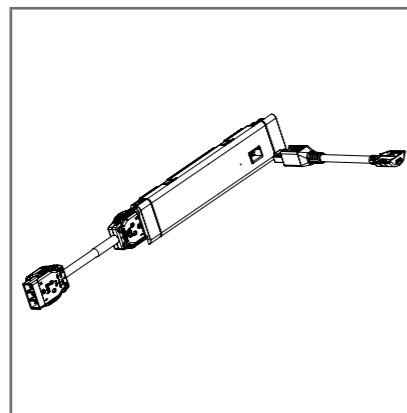


Quiet Spaces

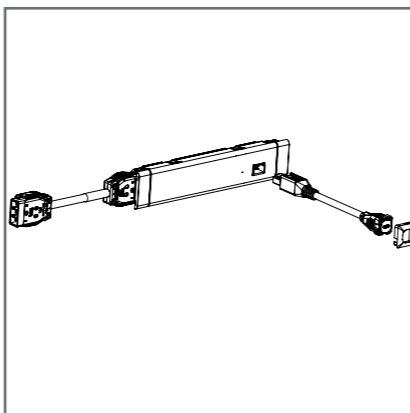
Assembly Options



USB AC



Desk Mount Lead



Bezel Lead

Product Specifications

Technical Data	Description
Input	100-240V AC; 50-60Hz; 2.5A
Maximum total output	140W
USB outlets	1 x Type-C, 1 x Type-A
Standby power	<0.3 W
Over voltage protection	Yes
Short circuit protection	*USB auto shut down & recovery
Over power protection	150W
Operating temperature range	0-35°C
Compliance	AS/NZS 61558.2.16 OVCIII; CISPR32:2015
Load combinations	USB A 5V/3A; 9V/2A; 12V/1.5A USB C 5V/3A,9V/3A, 12V/3A, 15V/3A,20V/5A, 28V/5A (No connected devices on USB A) 5V/3A,9V/3A, 12V/3A, 15V/3A,20V/5A(Connected Devices on USB A) USB C 5V/3A,9V/3A, 12V/1.5A, 15V/1.2A,20V/0.9A
USB Type-C Port	
Protocols supported	PPS PD3.1/PD3.0/QC3.0/QC2.0 /FCP/AFC/SCP
USB Type-A Port 1	
Protocols supported	QC3.0/QC2.0 /FCP/AFC/BC1.2



Disclaimer: CMS has made every attempt to ensure the accuracy and reliability of the information provided in this document are correct. All information contained in this document is to be used for general guidance only. CMS reserves the right to change, delete or modify the information without notice.
© CMS Electracom 2023