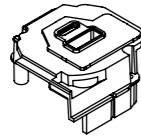
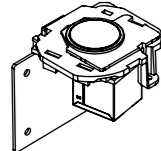


USB AC MODUAL = U

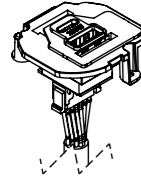
USE SC_CMS129_08 WHEN INSTALLING USB



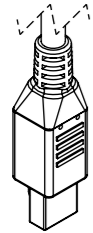
AU/NZ SOCKET OUTLET = A



ENGAGE = N
ENGAGE + RFID = R

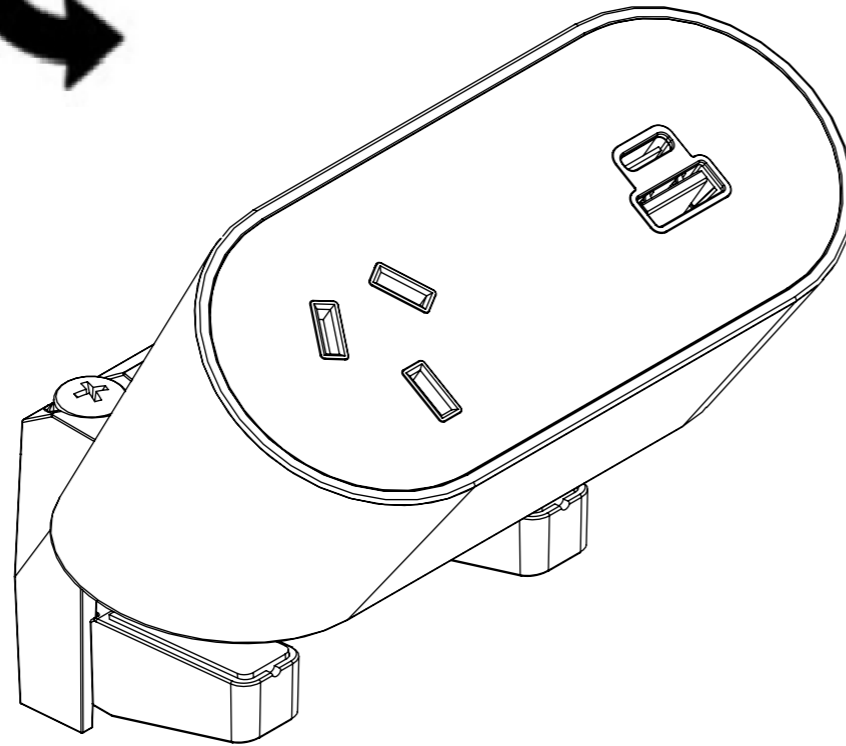


100W USB AC = V
140W USB AC = Y



HELISTAND = P

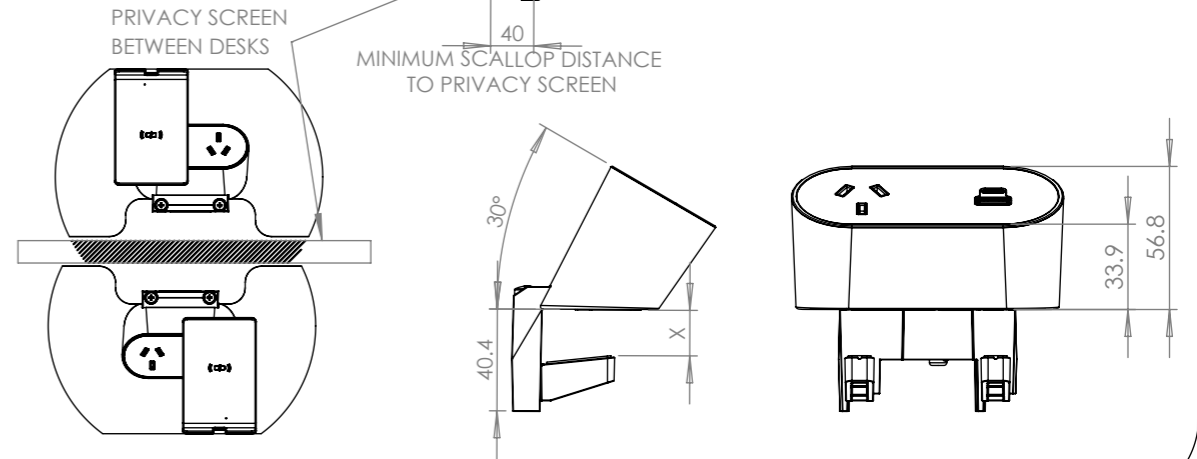
**FACTORY ONLY INSERTABLE MODULES
REFER PAGE 2 FOR MODULE
CONFIGURATION**



ABOVE DESK CLAMP

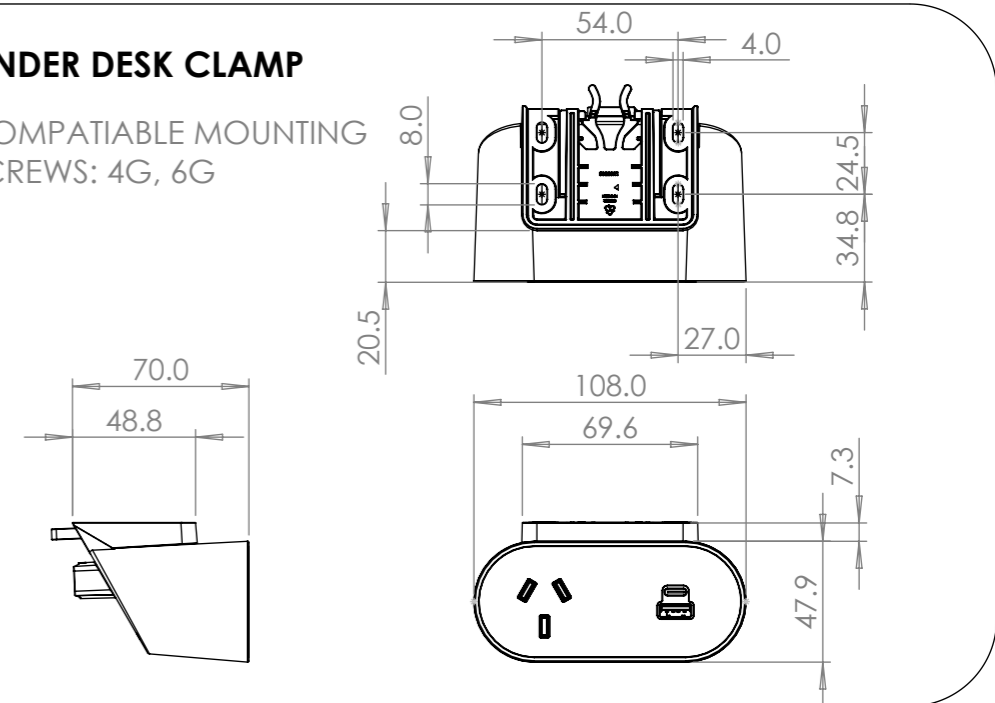
MIN TABLE THICKNESS: 20MM
MAX TABLE THICKNESS 32MM

NOTE:
TABLE SCALLOP OF **40mm MINIMUM REQUIRED** WHEN USING HELISTAND & PRIVACY SCREEN TO ALLOW ADDITIONAL SPACE FOR LARGE PHONES



UNDER DESK CLAMP

COMPATIBLE MOUNTING
SCREWS: 4G, 6G



REV	DESCRIPTION	DATE	DRWN	APPV
9	COLOUR TABLE UPDATED	31/10/2023	JB	RG
8	FABRIC COLOUR TABLE UPDATED, HELISTAND SCOLLOP NOTE ADDED	26/9/2023	JB	RG
7	NEW CONFIGURATIONS ADDED, BOM UPDATED	25/8/2023	JB	RG
6	NEW CONFIGURATIONS ADDED (ENGAGE & 100W USB AC)	16/2/2023	JB	RG
5	SCREW NOTE ADDED FOR USE OF TYPE 25 OR TYPE B	28/7/2022	JB	RG
4	BOM UPDATED, WIRING LOOM LU's UPDATED	5/4/2022	JB	RG
3	ITEM 10 IN BOM UPDATED TO 4G x 3/8" PAN HEAD SELF TAPPING SCREW TYPE B	10/2/2022	JB	RG
2	BOM UPDATED	19/5/2021	JB	RG
1	RELEASED FOR EVALUATION	7/5/2021	JB	RG
	REVISIONS			

CUSTOMER SIGNATURE:	
MATERIAL:	PC FR
FINISH:	FINE EDM / POLISHED / FABRIC
COLOUR:	REFER TABLE
THIS DRAWING & ASSOCIATED CAD FILES ARE ISSUED IN THE STRICTEST CONFIDENCE AND ARE ONLY TO BE USED IN THE COMMERCIAL INTERESTS OF CMS ELECTRACOM PTY LTD	

TOLERANCES UNLESS OTHERWISE STATED:

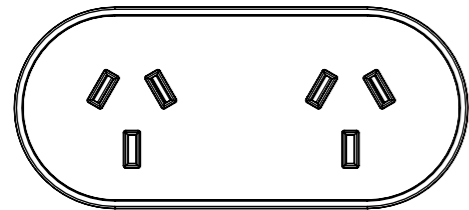
X ±0.5
X.X ±0.2
X.XX ±0.1
X.XXX ±0.05
ANG ±0.5°

DRAWN IN mm TO AS1100 DO NOT SCALE

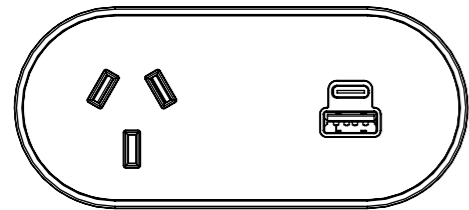


TITLE:
NOVA DUO AU CONFIGURATIONS

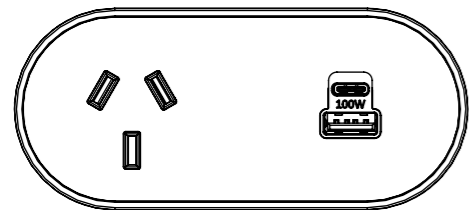
DRAWING: LU38121	REV: 9	A3
SCALE 1:2	SHEET 1 OF 11	



ND*AAXxxxXX

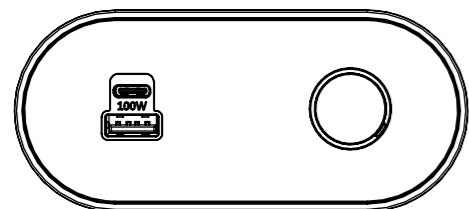


ND*AUXxxxXX



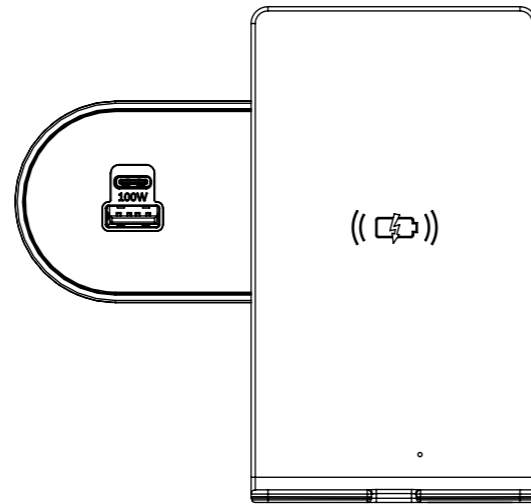
ND*A1XxxxXX

ONLY AVAILABLE IN ABOVE DESK CLAMP



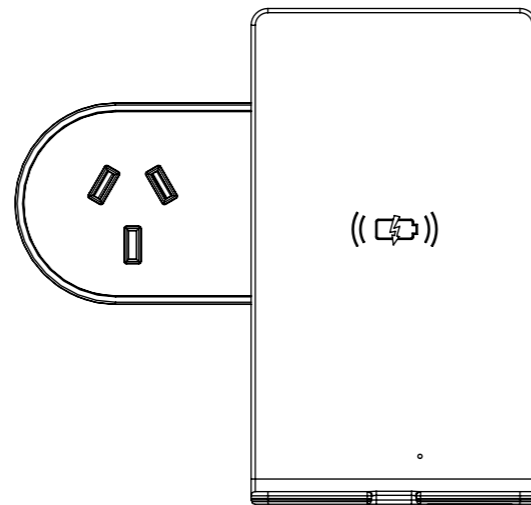
ND*1#XxxxXX

ONLY AVAILABLE IN ABOVE DESK CLAMP



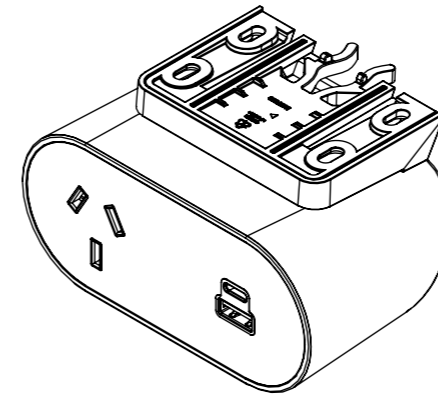
ND*1PXxxxXX

ONLY AVAILABLE IN ABOVE DESK CLAMP

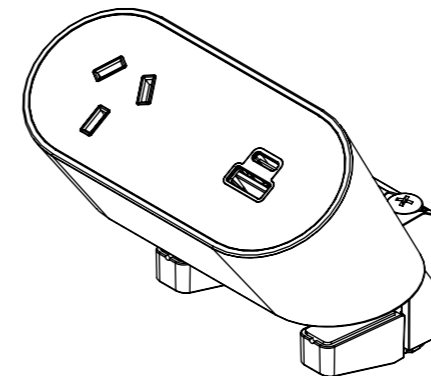


ND*APXxxxXX

ONLY AVAILABLE IN ABOVE DESK CLAMP

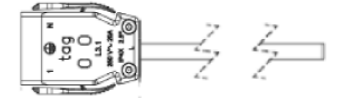


Z = UNDER DESK CLAMP



S = ABOVE DESK CLAMP

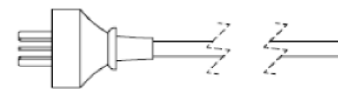
NOTE:



CABLE TYPE: 3 CORE x 2.5mm²
DESCRIPTION: TAG CONNECTOR LEAD
COLOUR: WHITE OR BLACK
(REFER TO PURCHASE ORDER)
LENGTH (mm):

xx	LENGTH (mm)
05	500
10	1000
15	1500
20	2000
25	2500
30	3000
35	3500
40	4000
45	4500
50	5000

NOTE:



CABLE TYPE: 3 CORE x 1.0mm²
DESCRIPTION: AUSTRALIAN PLUG LEAD
COLOUR: WHITE OR BLACK
(REFER TO PURCHASE ORDER)
LENGTH (mm):

xx	LENGTH (mm)
05	500
10	1000
15	1500
20	2000
25	2500
30	3000
35	3500
40	4000
45	4500
50	5000

COLOUR VARIATIONS	
PART NUMBER	DESCRIPTION
W	WHITE BODY & CLAMP
B	BLACK BODY & CLAMP
1	WHITE DECAL GLOSS
2	WHITE DECAL MATT
3	BLACK DECAL GLOSS
4	BLACK DECAL MATT
FABRIC FINISH REFER TO LU38547	
A	FABRIC COLOUR 1 - VANILA
B	FABRIC COLOUR 2 - SMOKE
C	FABRIC COLOUR 3 - IRON FORMERLY KNOWN AS CHARCOAL
D	FABRIC COLOUR 4 - CHARCOAL FORMERLY KNOWN AS BLACK

PART NUMBER: (REFER CONFIGURATION)xxXX

NOTE - * - CLAMP TYPE - (S = ABOVE DESK OR Z = UNDER DESK)

- ENGAGE (N = ENGAGE OR R = ENGAGE + RFID)

1 - USB (V = 100W USB AC OR Y = 140W USB AC)

X - LEAD TYPE (TAG = T OR 3PIN PLUG = I)

xx - LENGTH - 05 / 10 / 15 / 20 / 25 / 30 / 35 / 40 / 45 / 50

XX - COLOUR - W / B + 1 / 2 / 3 / 4 + (OPTIONAL) A / B / C / D

CUSTOMER SIGNATURE:	TOLERANCES UNLESS OTHERWISE STATED: X ±0.5 X.X ±0.2 X.XX ±0.1 X.XXX ±0.05 ANG ±0.5°
MATERIAL:	
FINISH:	
COLOUR:	
<small>THIS DRAWING & ASSOCIATED CAD FILES ARE ISSUED IN THE STRICTEST CONFIDENCE AND ARE ONLY TO BE USED IN THE COMMERCIAL INTERESTS OF CMS ELECTRACOM PTY LTD</small>	
<small>DRAWN IN mm TO AS1100 DO NOT SCALE</small>	



TITLE:
NOVA DUO AU CONFIGURATIONS

DRAWING: LU38121	REV: 9	A3
SCALE 1:2	SHEET 2 OF 11	