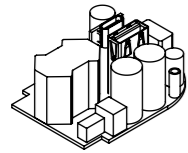
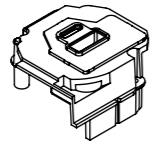


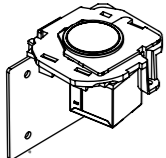
USE SC_CMS129_08 WHEN INSTALLING USB



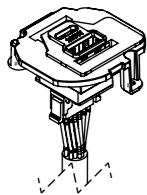
USB AC MODUAL = U



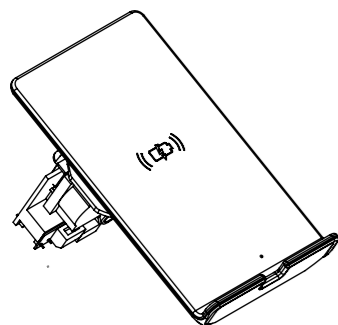
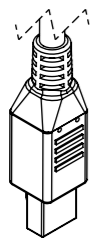
AU/NZ SOCKET OUTLET = A



ENGAGE = N
ENGAGE + RFID = R

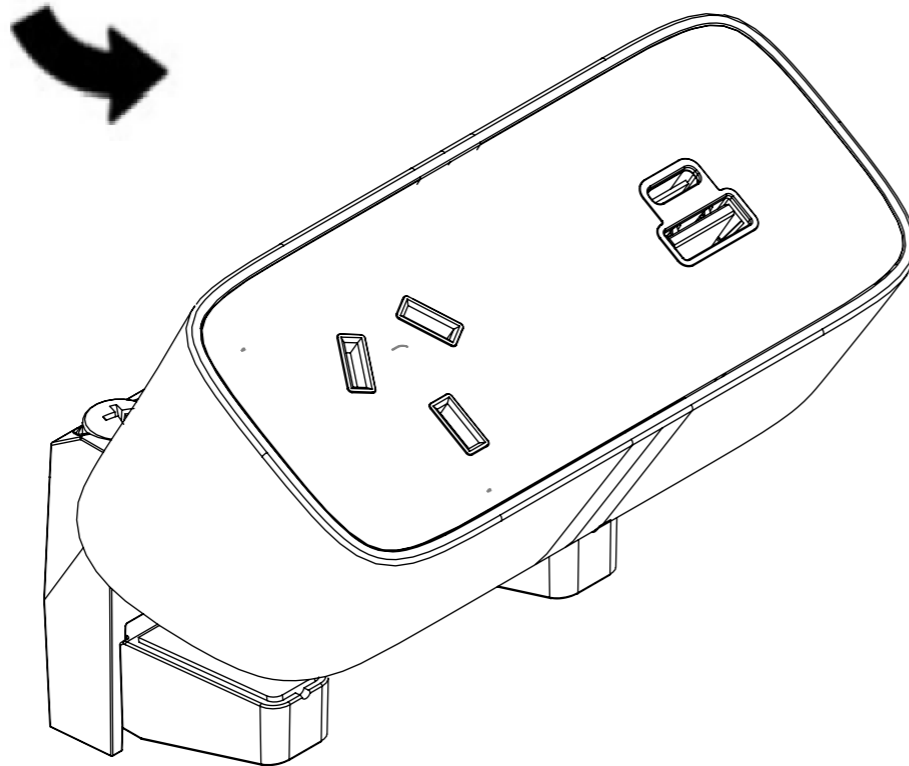


100W USB AC = V
140W USB AC = Y



HELISTAND = P

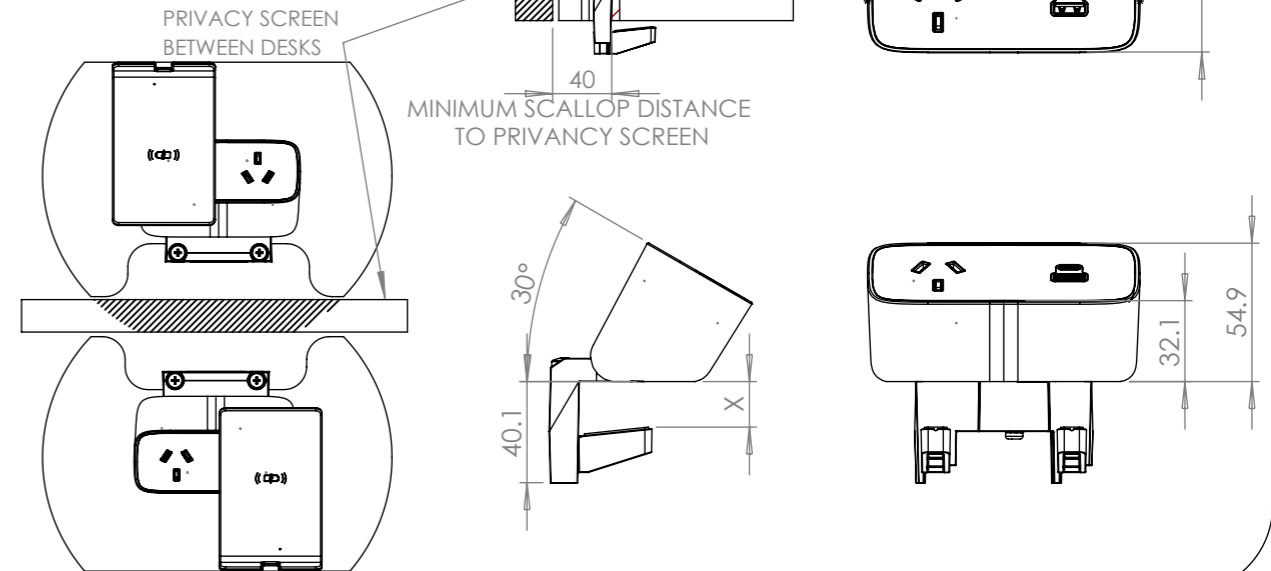
**FACTORY ONLY INSERTABLE MODULES
REFER PAGE 2 FOR MODULE
CONFIGURATION**



ABOVE DESK CLAMP

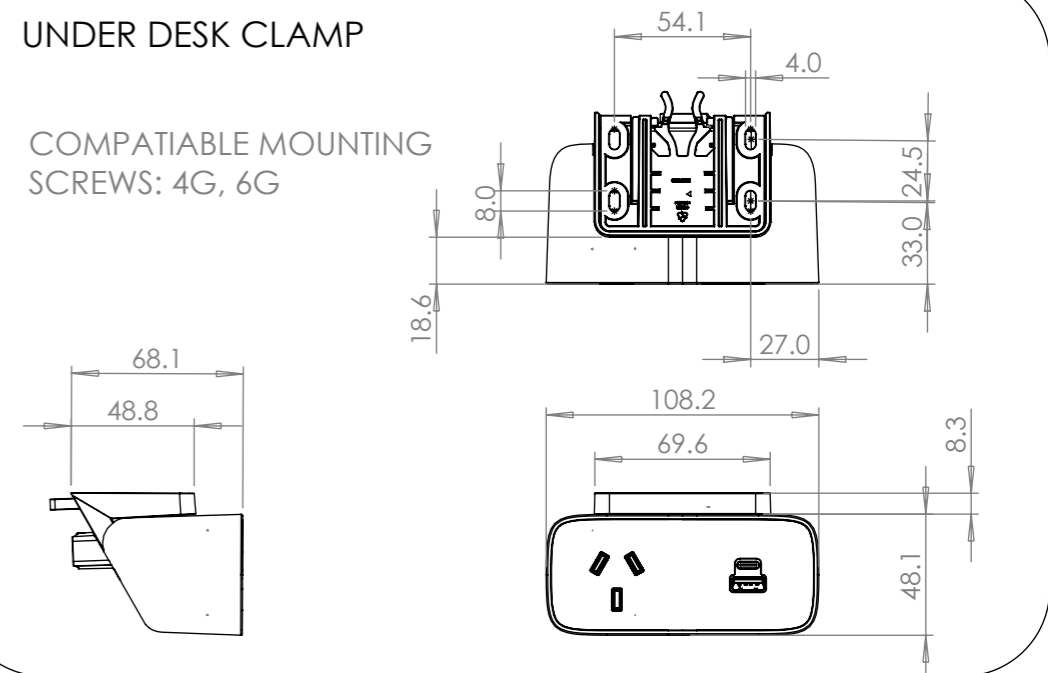
MIN TABLE THICKNESS: 20MM
MAX TABLE THICKNESS 32MM

NOTE:
TABLE SCALLOP OF 40mm MINIMUM
REQUIRED WHEN USING HELISTAND &
PRIVACY SCREEN TO ALLOW ADDITIONAL
SPACE FOR LARGE PHONES



UNDER DESK CLAMP


COMPATIBLE MOUNTING
SCREWS: 4G, 6G



REV	DESCRIPTION	DATE	DRWN	APPV
9	COLOUR TABLE UPDATED	31/10/2023	JB	RG
8	FABRIC COLOUR TABLE UPDATED, HELISTAND SCALLOP NOTE ADDED	12/10/2023	JB	RG
7	NEW CONFIGURATIONS ADDED, BOM UPDATED	25/8/2023	JB	RG
6	NEW CONFIGURATIONS ADDED (ENGAGE & 100W USB AC)	14/2/2023	JB	RG
5	SCREW NOTE ADDED FOR USE OF TYPE 25 OR TYPE B	28/7/2022	JB	RG
4	BOM UPDATED, WIRING LOOM LU's UPDATED	5/4/2022	JB	RG
3	ITEM 10 IN BOM CHANGED TO 4G x 3/8" PAN HEAD SELF TAPPING SCREW TYPE B	10/2/2022	JB	RG
2	BOM UPDATED	19/5/2021	JB	RG
1	RELEASED FOR EVALUATION	13/5/2021	JB	RG
	REVISIONS			

CUSTOMER SIGNATURE:	
MATERIAL:	PC FR
FINISH:	FINE EDM / POLISHED / FABRIC
COLOUR:	REFER TABLE
THIS DRAWING & ASSOCIATED CAD FILES ARE ISSUED IN THE STRICTEST CONFIDENCE AND ARE ONLY TO BE USED IN THE COMMERCIAL INTERESTS OF CMS ELECTRACOM PTY LTD	

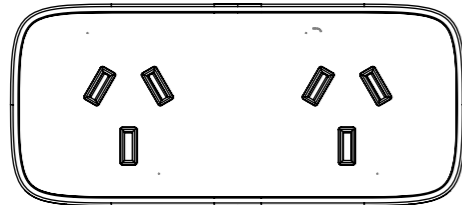
TOLERANCES UNLESS OTHERWISE STATED:
X ±0.5
X.X ±0.2
X.XX ±0.1
X.XXX ±0.05
ANG ±0.5°
DRAWN IN mm TO AS1100 DO NOT SCALE

 **CMS Electracom** COPYRIGHT © 2020

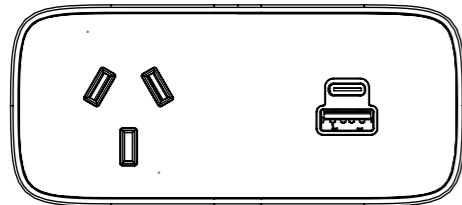
TITLE:
VIVA DUO AU CONFIGURATIONS

DRAWING: LU38203 **REV:** 9 **A3**

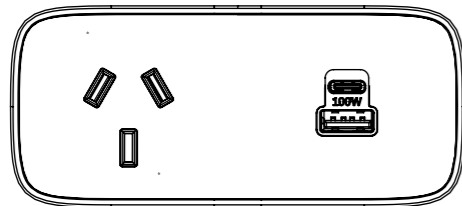
SCALE 1:2 SHEET 1 OF 11



VD*AAXxxXX

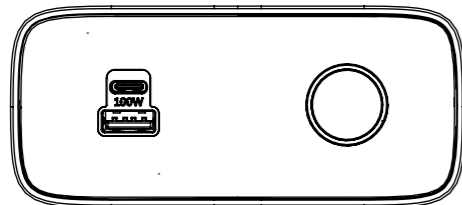


VD*AUXxxXX



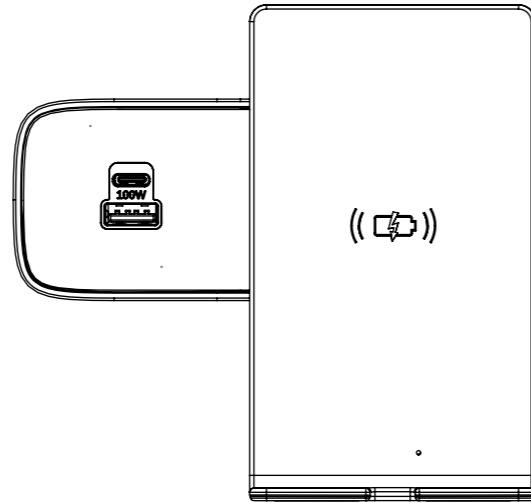
VD*A1XxxXX

ONLY AVAILABLE IN ABOVE DESK CLAMP



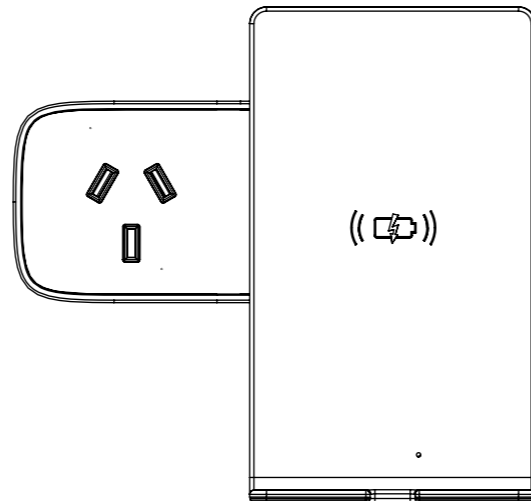
VD*1#XxxXX

ONLY AVAILABLE IN ABOVE DESK CLAMP



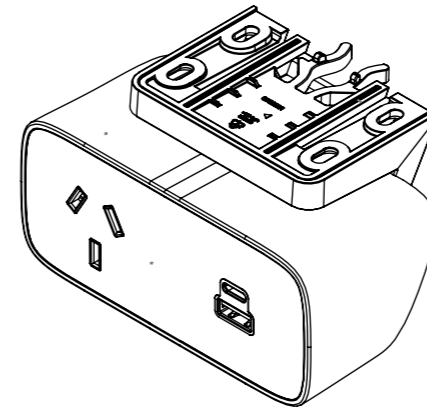
VD*1PXxxXX

ONLY AVAILABLE IN ABOVE DESK CLAMP

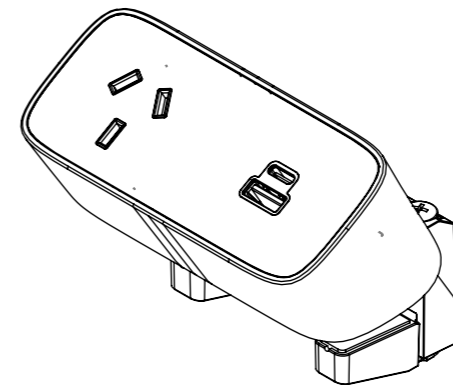


VD*APXxxXX

ONLY AVAILABLE IN ABOVE DESK CLAMP

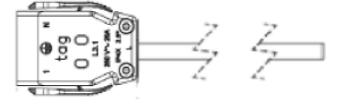


Z = UNDER DESK CLAMP



S = ABOVE DESK CLAMP

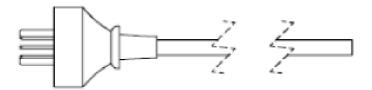
NOTE:



CABLE TYPE: 3 CORE x 2.5mm²
 DESCRIPTION: TAG CONNECTOR LEAD
 COLOUR: WHITE OR BLACK
 (REFER TO PURCHASE ORDER)
 LENGTH (mm):

xx	LENGTH (mm)
05	500
10	1000
15	1500
20	2000
25	2500
30	3000
35	3500
40	4000
45	4500
50	5000

NOTE:



CABLE TYPE: 3 CORE x 1.0mm²
 DESCRIPTION: AUSTRALIAN PLUG LEAD
 COLOUR: WHITE OR BLACK
 (REFER TO PURCHASE ORDER)
 LENGTH (mm):

xx	LENGTH (mm)
05	500
10	1000
15	1500
20	2000
25	2500
30	3000
35	3500
40	4000
45	4500
50	5000

COLOUR VARIATIONS

PART NUMBER	DESCRIPTION
W	WHITE BODY & CLAMP
B	BLACK BODY & CLAMP
1	WHITE DECAL GLOSS
2	WHITE DECAL MATT
3	BLACK DECAL GLOSS
4	BLACK DECAL MATT
FABRIC FINISH REFER TO LU40741	
A	FABRIC COLOUR 1 - VANILLA
B	FABRIC COLOUR 2 - SMOKE
C	FABRIC COLOUR 3 - IRON FORMERLY KNOWN AS CHARCOAL
D	FABRIC COLOUR 4 - CHARCOAL FORMERLY KNOWN AS BLACK

PART NUMBER: (REFER CONFIGURATION)xxXX

NOTE - * - CLAMP TYPE - (S = ABOVE DESK OR Z = UNDER DESK)

- ENGAGE (N = ENGAGE OR R = ENGAGE + RFID)

1- USB (V = 100W USB AC OR Y = 140W USB AC)

X - LEAD TYPE (TAG = T OR 3PIN PLUG = I)

xx - LENGTH - 05 / 10 / 15 / 20 / 25 / 30 / 35 / 40 / 45 / 50

XX - COLOUR - W / B + 1 / 2 / 3 / 4 + (OPTIONAL) A / B / C / D

CUSTOMER SIGNATURE:	TOLERANCES UNLESS OTHERWISE STATED: X ±0.5 X.X ±0.2 X.XX ±0.1 X.XXX ±0.05 ANG ±0.5°
MATERIAL: PC FR	
FINISH: FINE EDM / POLISHED / FABRIC	
COLOUR: REFER TABLE	
THIS DRAWING & ASSOCIATED CAD FILES ARE ISSUED IN THE STRICTEST CONFIDENCE AND ARE ONLY TO BE USED IN THE COMMERCIAL INTERESTS OF CMS ELECTRACOM PTY LTD	
DRAWN IN mm TO AS1100 DO NOT SCALE	



TITLE:
VIVA DUO AU CONFIGURATIONS

DRAWING: LU38203	REV: 9	A3
SCALE 1:2	SHEET 2 OF 11	