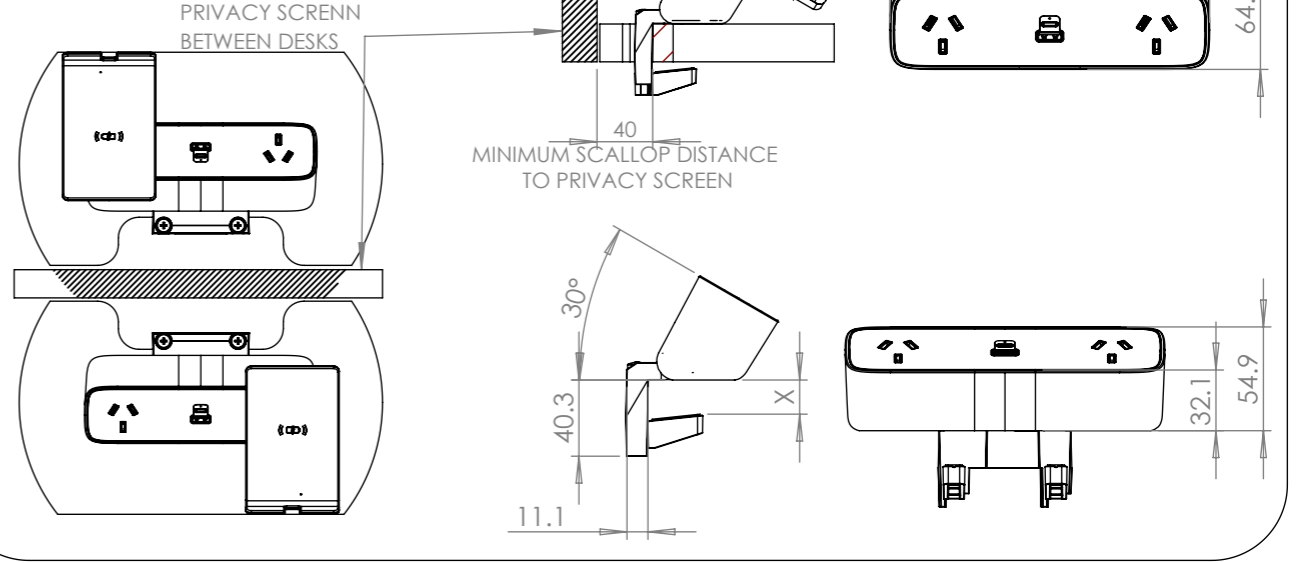


ABOVE DESK CLAMP

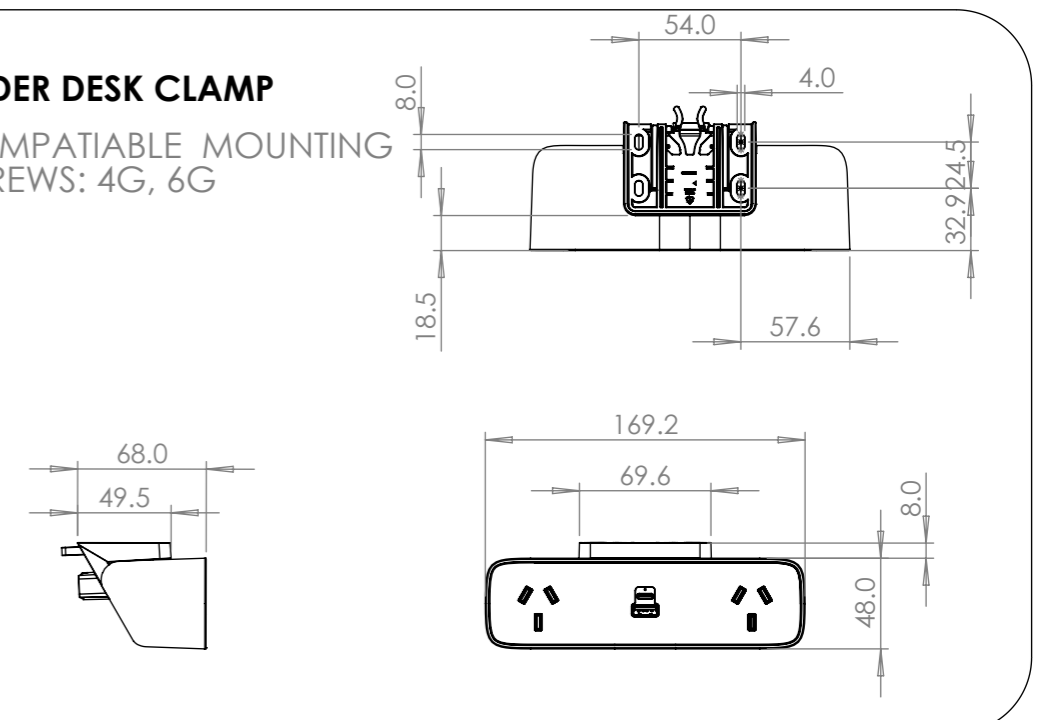
MIN TABLE THICKNESS: 20MM
MAX TABLE THICKNESS: 32MM

NOTE:
TABLE SCALLOP OF 40mm MINIMUM REQUIRED
WHEN USING HELISTAND & PRIVACY SCREEN
TO ALLOW ADDITIONAL SPACE FOR LARGE PHONES



UNDER DESK CLAMP

COMPATIBLE MOUNTING
SCREWS: 4G, 6G



REV	DESCRIPTION	DATE	DRWN	APPV
7	COLOUR TABLE UPDATED	31/10/2023	JB	RG
6	FABRIC COLOUR TABLE UPDATED, HELISTAND SCALLOP ADDED	12/10/2023	JB	RG
5	NEW CONFIGURATIONS ADDED, BOM UPDATED	25/8/2023	JB	RG
4	NEW CONFIGURATIONS ADDED (ENGAGE)	10/2/2023	JB	RG
3	EARTHING FOR USB 65W ADDED TO WIRING VIEW	5/10/2022	JB	RG
2	SCREW NOTE ADDED FOR USE OF TYPE 25 OR TYPE B	28/7/2022	JB	RG
1	RELEASED FOR PRODUCTION	8/4/2022	JB	RG
REVISIONS				

CUSTOMER SIGNATURE:
MATERIAL: PC FR
FINISH: FINE EDM / POLISHED / FABRIC
COLOUR: REFER TABLE
THIS DRAWING & ASSOCIATED CAD FILES ARE ISSUED IN THE STRICTEST CONFIDENCE AND ARE ONLY TO BE USED IN THE COMMERCIAL INTERESTS OF CMS ELECTRACOM PTY LTD

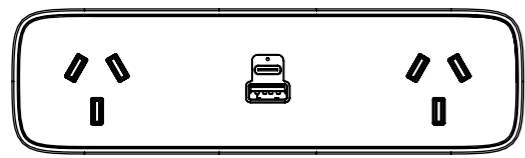
TOLERANCES UNLESS OTHERWISE STATED:

X ±0.5
X.X ±0.2
X.XX ±0.1
X.XXX ±0.05
ANG ±0.5°

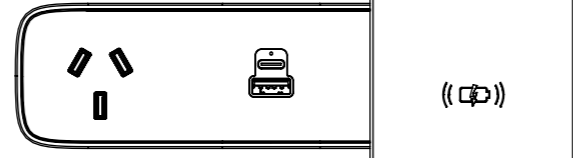
DRAWN IN mm TO AS1100 DO NOT SCALE



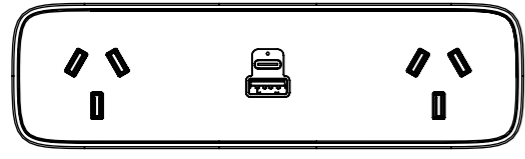
TITLE: VIVA TRIO AU CONFIGURATIONS		
DRAWING: LU39411	REV: 7	A3
SCALE 1:2	SHEET 1 OF 10	



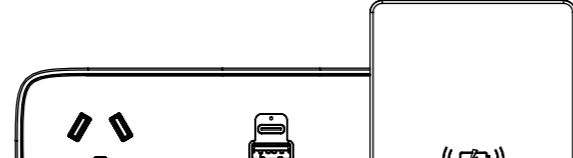
VT*AUAXxxXX



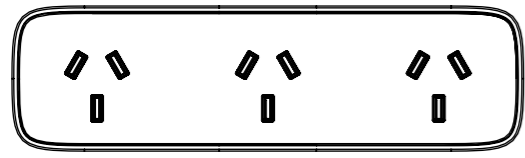
VT*AUPXxxXX
ABOVE DESK CLAMP ONLY



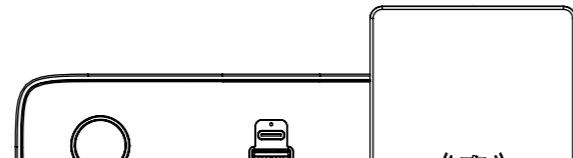
VT*AWAXxxXX



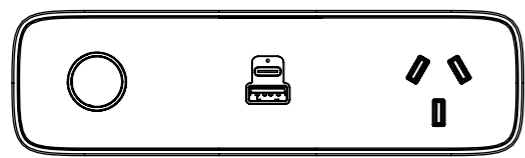
VT*AWPXxxXX
ABOVE DESK CLAMP ONLY



VT*AAAXxxX

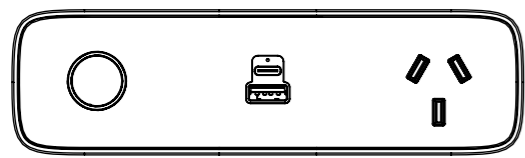


VT*#UPXxxXX
ABOVE DESK CLAMP ONLY



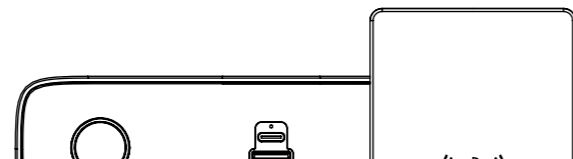
VT*#UAXxxX

ABOVE DESK CLAMP ONLY

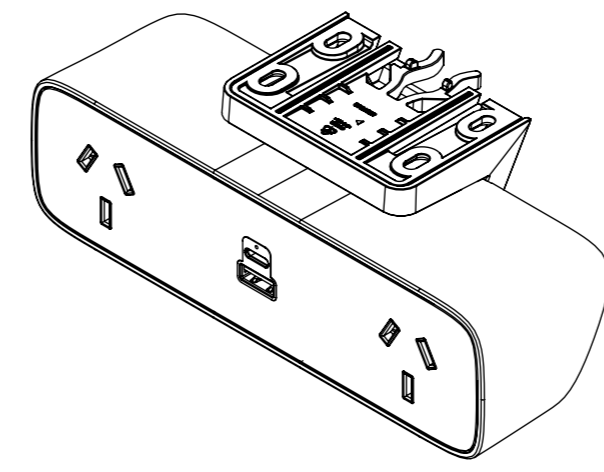


VT*#WAXxxX

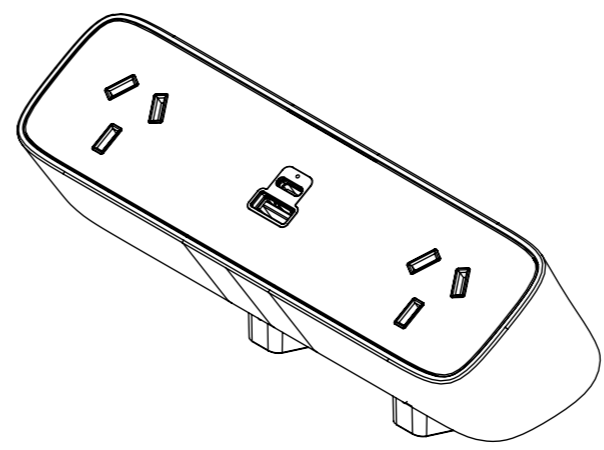
ABOVE DESK CLAMP ONLY



VT*#WPXxxXX
ABOVE DESK CLAMP ONLY

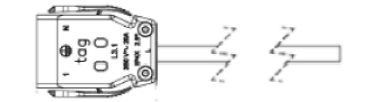


Z = UNDER DESK CLAMP



S = ABOVE DESK CLAMP

NOTE:



CABLE TYPE: 3 CORE x 2.5mm²
DESCRIPTION: TAG CONNECTOR LEAD
COLOUR: WHITE OR BLACK
(REFER TO PURCHASE ORDER)
LENGTH (mm):

xx	LENGTH (mm)
05	500
10	1000
15	1500
20	2000
25	2500
30	3000
35	3500
40	4000
45	4500
50	5000

NOTE:



CABLE TYPE: 3 CORE x 1.0mm²
DESCRIPTION: AUSTRALIAN PLUG LEAD WITH THERMAL OVERLOAD
COLOUR: WHITE OR BLACK
(REFER TO PURCHASE ORDER)
LENGTH (mm):

xx	LENGTH (mm)
05	500
10	1000
15	1500
20	2000
25	2500
30	3000
35	3500
40	4000
45	4500
50	5000

PART NUMBER: (REFER CONFIGURATION)XxxXX
NOTE - * - CLAMP TYPE - (S = ABOVE DESK OR Z = UNDER DESK)
- ENGAGE (N = ENGAGE OR R = ENGAGE + RFID)
X - LEAD TYPE (TAG = T OR 3PIN PLUG = I)
xx - LENGTH - 05 / 10 / 15 / 20 / 25 / 30 / 35 / 40 / 45 / 50
XX - COLOUR - W / B + 1 / 2 / 3 / 4 +(OPTIONAL) A / B / C / D

COLOUR VARIATIONS	
PART NUMBER	DESCRIPTION
W	WHITE BODY & CLAMP
B	BLACK BODY & CLAMP
1	WHITE DECAL GLOSS
2	WHITE DECAL MATT
3	BLACK DECAL GLOSS
4	BLACK DECAL MATT
FABRIC FINISH REFER TO LU40878	
A	FABRIC COLOUR 1 - VANILLA
B	FABRIC COLOUR 2 - SMOKE
C	FABRIC COLOUR 3 - IRON FORMERLY KNOWN AS CHARCOAL
D	FABRIC COLOUR 4 - CHARCOAL FORMERLY KNOWN AS BLACK

CUSTOMER SIGNATURE:	TOLERANCES UNLESS OTHERWISE STATED: X ±0.5 X.X ±0.2 X.XX ±0.1 X.XXX ±0.05 ANG ±0.5°
MATERIAL: PC FR	
FINISH: FINE EDM / POLISHED / FABRIC	
COLOUR: REFER TABLE	
THIS DRAWING & ASSOCIATED CAD FILES ARE ISSUED IN THE STRICTEST CONFIDENCE AND ARE ONLY TO BE USED IN THE COMMERCIAL INTERESTS OF CMS ELECTRACOM PTY LTD	
DRAWN IN mm TO AS1100 DO NOT SCALE	



TITLE: VIVA TRIO AU CONFIGURATIONS	
DRAWING: LU39411	REV: 7
SCALE 1:2	SHEET 2 OF 10

A3