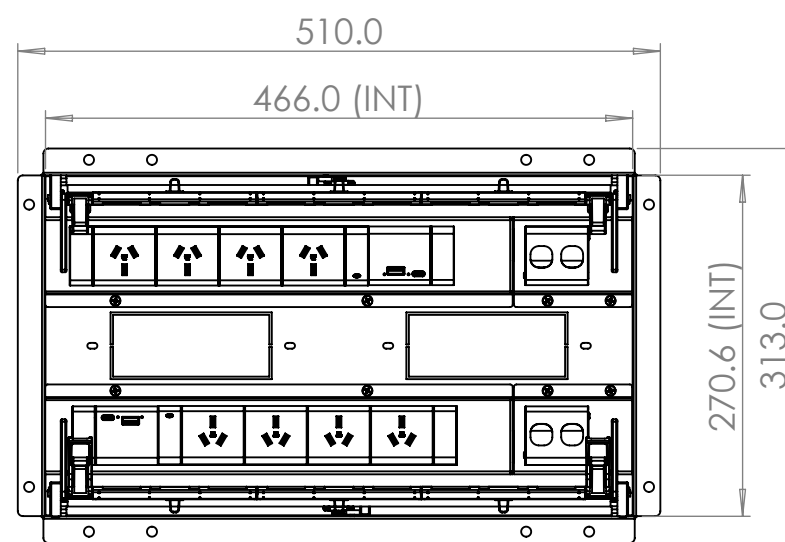
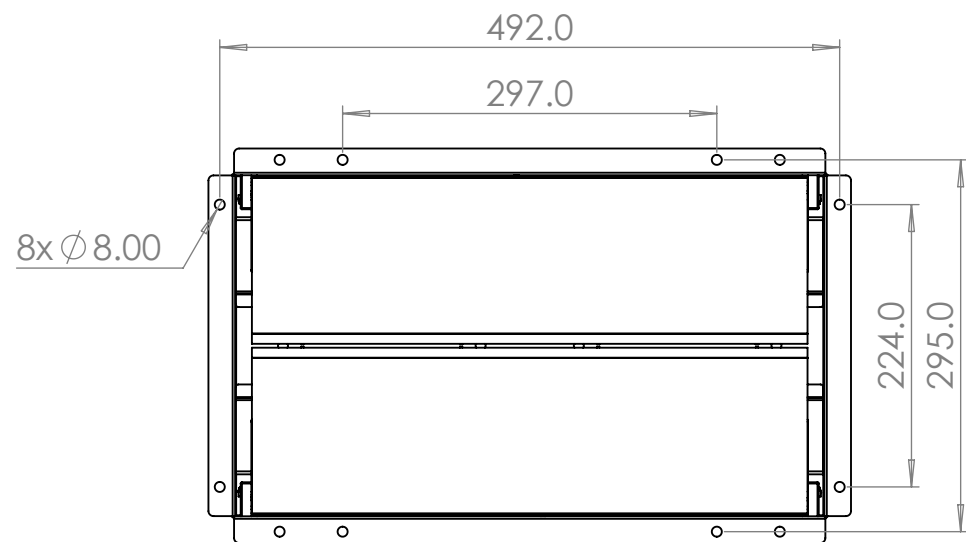
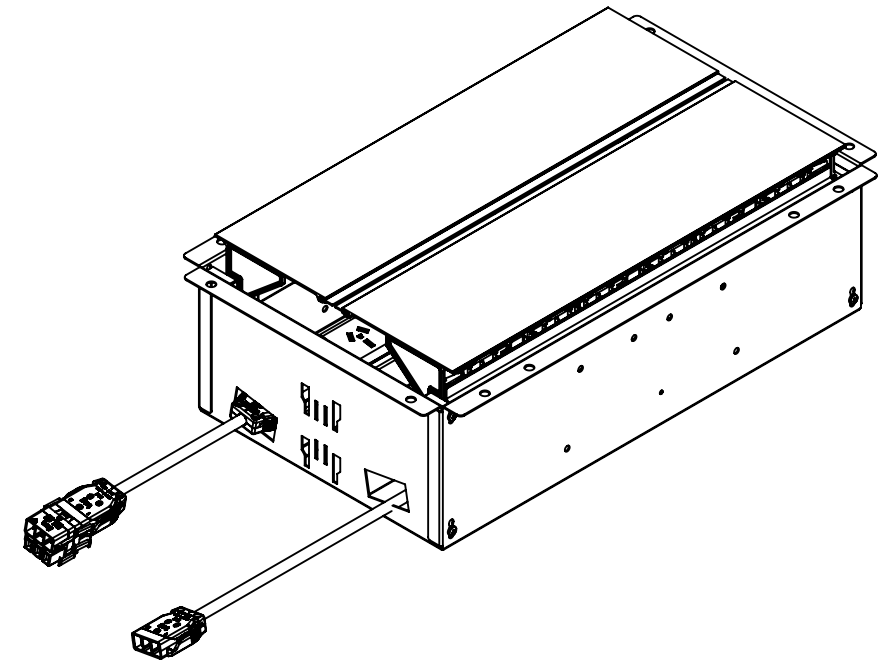
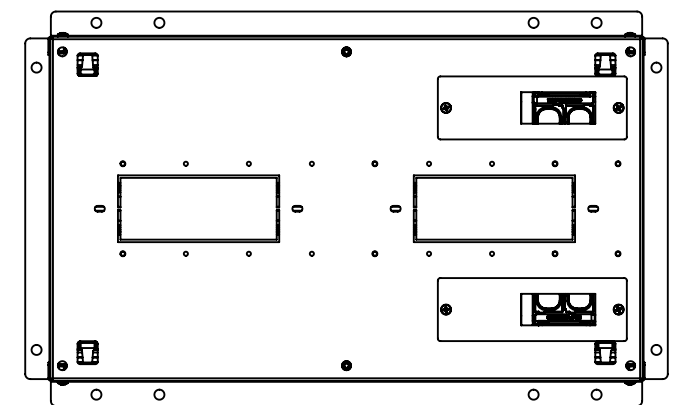


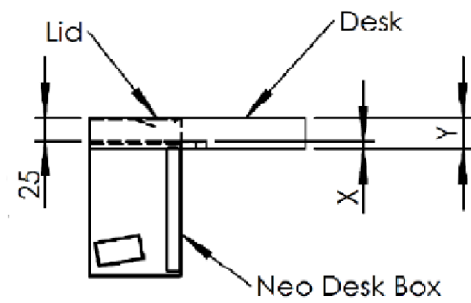
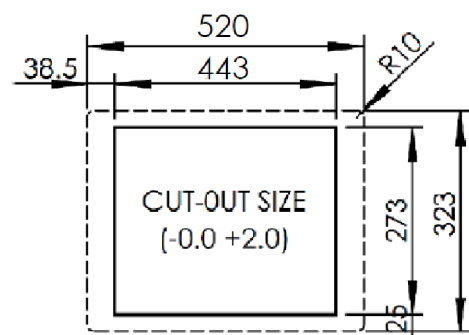
SECTION A-A
SCALE 1 : 6



TOP VIEW - NO LID





BOTTOM VIEW



SECTION

Note:
Dashed line shows Rebate Perimeter
(Only needed when Desk thickness is
greater than 25mm.)
For Rebate Depth:
Desk Thickness(Y) - 25mm = Rebate(X)

PART NUMBER: NE208UAC304

CUSTOMER SIGNATURE:	TOLERANCES UNLESS OTHERWISE STATED: X ±0.5 X.X ±0.2 X.XX ±0.1 X.XXX ±0.05 ANG ±0.5°	 CMS Electracom <small>COPYRIGHT © 2020</small>		
MATERIAL: PLASTIC / MS / AL				
FINISH: FINE EDM / P.C / ANODISED		TITLE: NE208UAC304 NEO DLB 8 GPO + 2 USB AC + 4 DATA		
COLOUR: BLACK / SATIN BLACK / SILVER	DRAWN IN mm TO AS1100 DO NOT SCALE 	DRAWING: LU41193	REV: 2	A3
THIS DRAWING & ASSOCIATED CAD FILES ARE ISSUED IN THE STRICTEST CONFIDENCE AND ARE ONLY TO BE USED IN THE COMMERCIAL INTERESTS OF CMS ELECTRACOM PTY LTD		SCALE 1:5	SHEET 1 OF 2	

REV	DESCRIPTION	DATE	DRWN	APPV
2	CHANGED M4x6 CSK SCREW TO DIN STANDARD/CHANGED BRUSH STRIP FROM 10mm TO 13mm/UPDATED BOM/ADDED REBATE DETAILS	29/06/2023	GC	AP
1	RELEASED FOR PRODUCTION	25/08/2022	AB	AP
REVISIONS				