

CMS APOLLO FB FLOORBOX



The CMS Apollo floorbox has been designed for maximum flexibility to suit client requirements, with standard off the shelf component catering for most applications.

Incorporated in the lid is an easy grab lifting handle and an oversized cable exit cap. The oversize exit cap ensures all cords exiting are contained within.

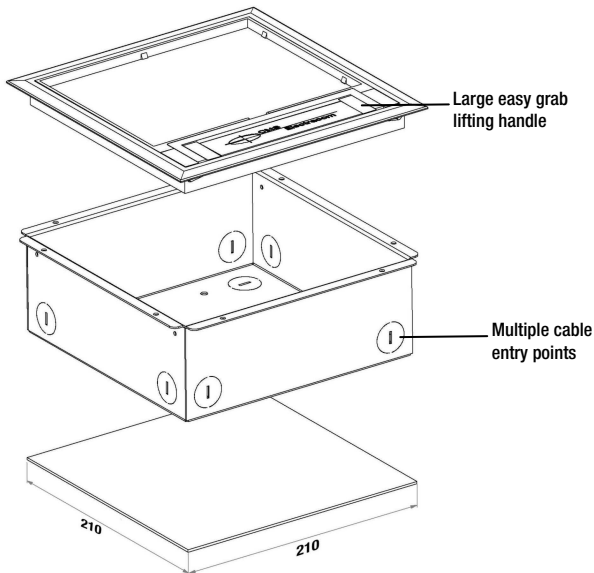
A bevelled edge carpet frame and 7mm carpet recessed lid are moulded in hard wearing, high impact poly carbonate / ABS blend polyimide with a 2.5mm galvanised steel plate fitted into the lid makes this one of the toughest boxes yet. The carcass and mounting plate are constructed from powder coated steel producing a long lasting robust unit.

Multi directional lid comes as standard in soft grey with other colours available on request (MOQ apply).

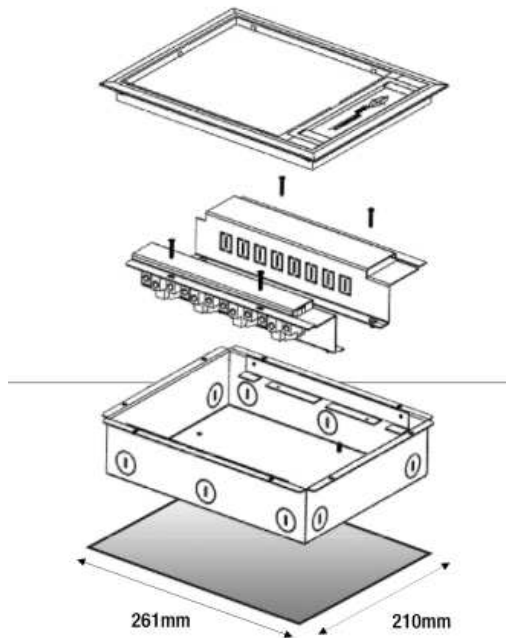
Behind our communication mounting plates is a 50mm cavity catering for popular AV and communication requirements.

SOME OF THE FEATURES INCLUDE:

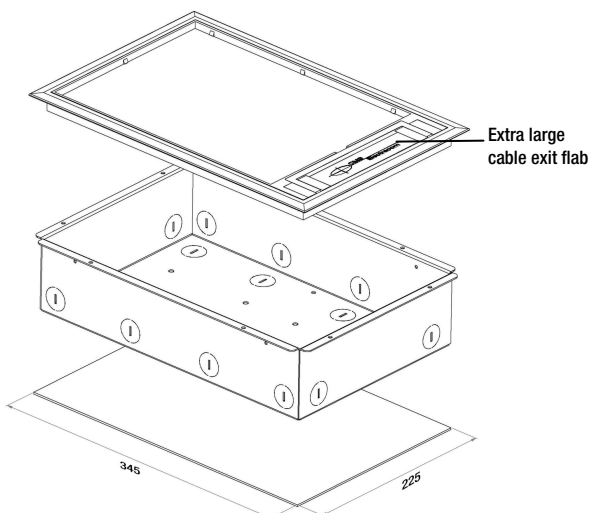
- Available in 2, 3 & 4 compartment
- Extra large cable exit flap
- Easy grab lifting handle
- Multiple cable entry points
- Increased capacity for AV & Data
- 50mm deep data cable cavity



APOLLO FB2 COMPARTMENT	
DEPTH	PART NO
60mm	FB260**
80mm	FB280**
100mm	FB210**



APOLLO FB3 COMPARTMENT	
DEPTH	PART NO
60mm	FB3060BK **



APOLLO FB4 COMPARTMENT	
DEPTH	PART NO
60mm	FB460**
80mm	FB480**
100mm	FB410**

CUT OUT SIZES:

- **FB2 FLOORBOX - 210mm x 210mm**
- **FB3 FLOORBOX - 261mm x 210mm**
- **FB4 FLOORBOX - 345mm x 225mm**

Notes:

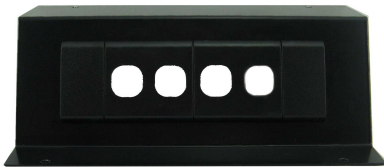
**Denotes lid colour in Black (BK) or GY (Grey)

ORDERING INFORMATION - 2 COMPARTMENT GPO MOUNTING PLATE & STARTER SOCKETS			
DESCRIPTION	60 DEEP	80 DEEP	100 DEEP
M/Plate with 2 x 10amp auto switch GPO	FBP2602	FBP2802	FBP2102
M/Plate with 3 x 10amp auto switch GPO	FBP2603	FBP2803	FBP2103
M/Plate with single starter	FBP260ST1	FBP280ST1	FBP210ST1
M/Plate with double starter	FBP260ST2	FBP280ST2	FBP210ST2



3 x 10amp GPO shown

ORDERING INFORMATION - 2 COMPARTMENT DATA MOUNTING PLATE & AV			
DESCRIPTION	60 DEEP	80 DEEP	100 DEEP
M/Plate with provision for 2 x Data	FBD2602	FBD2802	FBD2102
M/Plate with provision for 4 x Data	FBD2604	FBD2804	FBD2104
M/Plate with provision for 6 x Data	-----	FBD2806	FBD2106
Blank mounting plate 150mm x 41.5mm opening	-----	FBD280150	FBD210150
2 Comp AAP Plate - provision only	FBD260AA	FBD280AA	FBD210AA



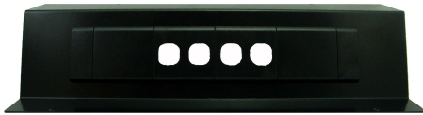
4 x Data shown

ORDERING INFORMATION - 4 COMPARTMENT GPO MOUNTING PLATE & STARTER SOCKETS			
DESCRIPTION	60 DEEP	80 DEEP	100 DEEP
M/Plate with 4 x 10amp auto switch GPO	FBP4604	FBP4804	FBP4104
M/Plate with 6 x 10amp auto switch GPO	FBP4606	FBP4806	FBP4106
M/Plate with single starter	FBP460ST1	FBP480ST1	FBP410ST1
M/Plate with double starter	FBP460ST2	FBP480ST2	FBP410ST2
M/Plate with single starter & 2 x 10amp auto switch GPO	FBP460SP	FBP480SP	FBP410SP



4 x 10amp GPO shown

ORDERING INFORMATION - 4 COMPARTMENT DATA MOUNTING PLATE & AV			
DESCRIPTION	60 DEEP	80 DEEP	100 DEEP
M/Plate with provision for 4 x Data	FBD4604	FBD4804	FBD4104
M/Plate with provision for 6 x Data	FBD4606	FBD4806	FBD4106
M/Plate with provision for 8 x Data	FBD4608	FBD4808	FBD4108
Blank mounting plate 300 x 41.5mm opening	-----	FBD480300	FBD410300
4 Comp dual AAP plate - provision only	FBD460AA	FBD480AA	FBD410AA



4 x Data shown

PRECONFIGURED ORDERING INFORMATION	
PART NO.	DESCRIPTION
FB26034**	FB2 Module floorbox c/w: 3 x auto switch GPO, 4 x Data cut-outs for 60mm
FB28034**	FB2 Module floorbox c/w: 3 x auto switch GPO, 4 x Data cut-outs for 80mm
FB21034**	FB2 Module floorbox c/w: 3 x auto switch GPO, 4 x Data cut-outs for 100mm
FB36025BAV**	FB3 Module floorbox c/w: 2 x auto switch GPO, 5 x Data cut-outs for 60mm
FB46066**	FB4 Module floorbox c/w: 6 x auto switch GPO, 6 x Data cut-outs for 60mm
FB48046**	FB4 Module floorbox c/w: 4 x auto switch GPO, 6 x Data cut-outs for 80mm
FB41046**	FB4 Module floorbox c/w: 4 x auto switch GPO, 6 x Data cut-outs for 100mm
FB48068**	FB4 Module floorbox c/w: 6 x auto switch GPO, 8 x Data cut-outs for 80mm
FB41068**	FB4 Module floorbox c/w: 6 x auto switch GPO, 8 x Data cut-outs for 100mm
FBHNDL**	Replacement Apollo FB floorbox handle kit

Notes:

**Denotes lid colour in Black (BK) or GY (Grey)