

CUTOUT REBATE - 145.40 x 25.40 (-0.0/+0.2mm) x 10.60mm DEEP (-0.0/+0.2mm)
 CUTOUT THROUGH - 122.60 x 22.20 (-0.0/+0.2mm)
 HOLES - 5.00mm

TO BE PRECISION MACHINED BY EXPERIENCED PERSONS
 REFER LU48429 DXF

1	RELEASED FOR PRODUCTION	11/2/25	AP	RG
REV	DESCRIPTION	DATE	DRWN	APPV
REVISIONS				

CUSTOMER SIGNATURE:	TOLERANCES UNLESS OTHERWISE STATED: X ±0.5 X.X ±0.2 X.XX ±0.1 X.XXX ±0.05 ANG ±0.5°	
MATERIAL:		S.S / M.S
FINISH:		REFER CMS DATA SHEET
COLOUR:		REFER CMS DATA SHEET
THIS DRAWING & ASSOCIATED CAD FILES ARE ISSUED IN THE STRICTEST CONFIDENCE AND ARE ONLY TO BE USED IN THE COMMERCIAL INTERESTS OF CMS ELECTRACOM PTY LTD		DRAWN IN mm TO AS1100 DO NOT SCALE

CMS Electracom COPYRIGHT © 2020

TITLE:
 DEVICE TYPE-B METAL FRAME ASSEMBLY

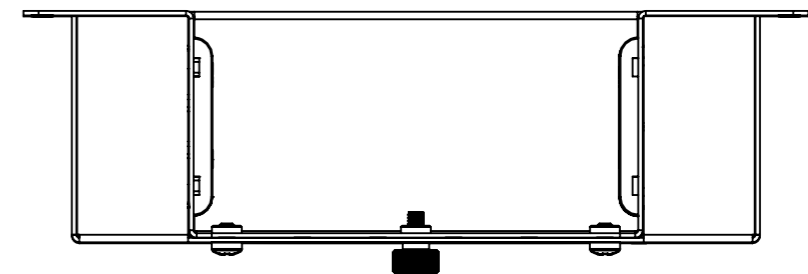
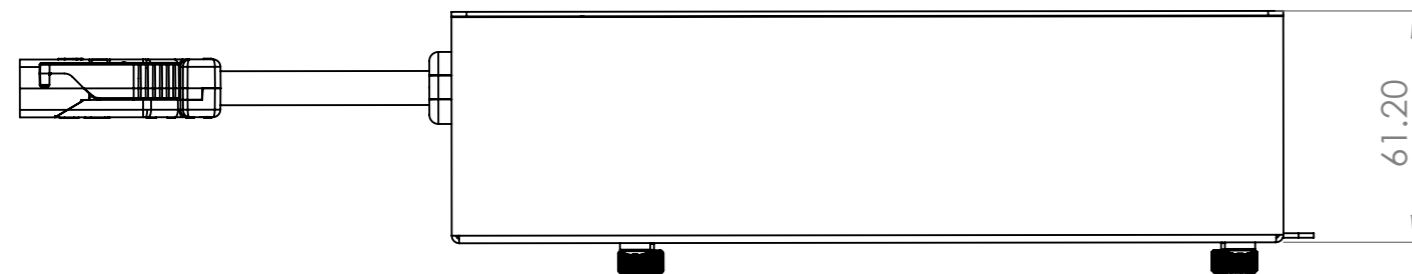
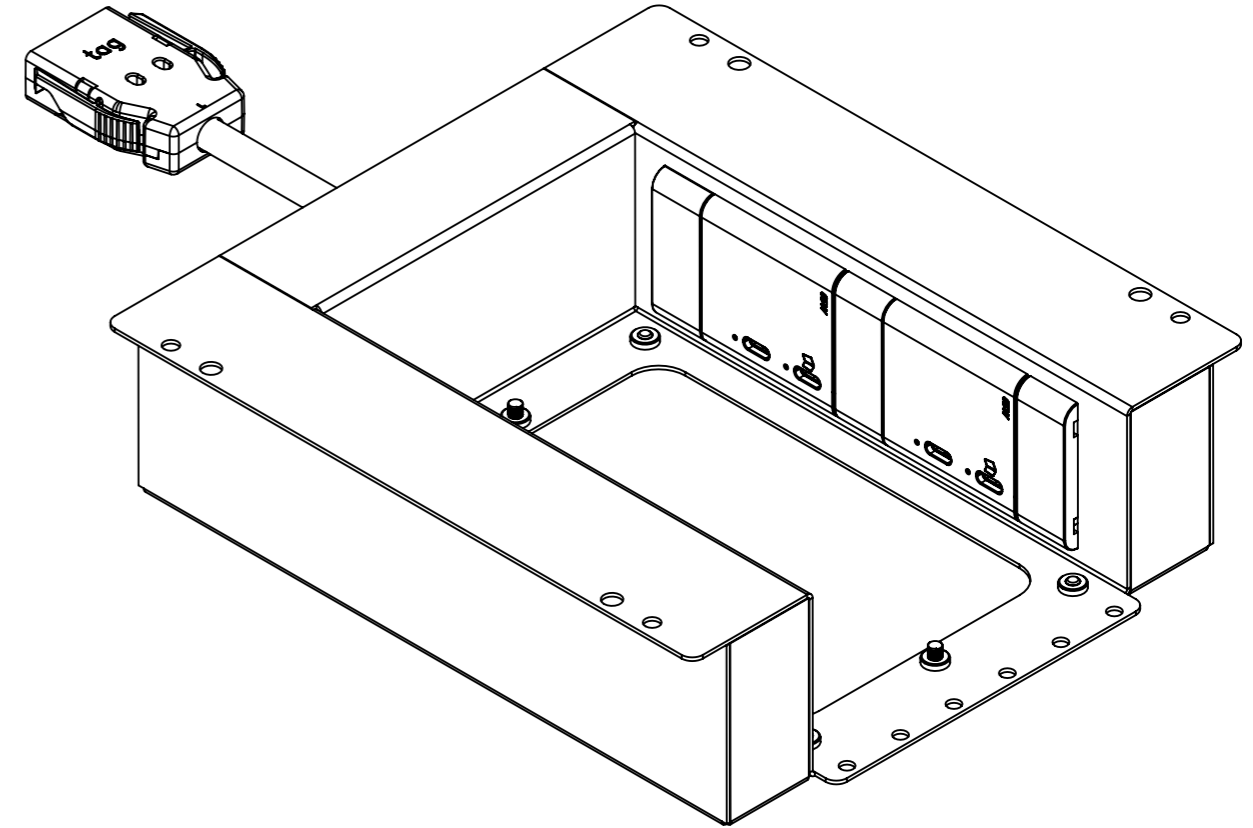
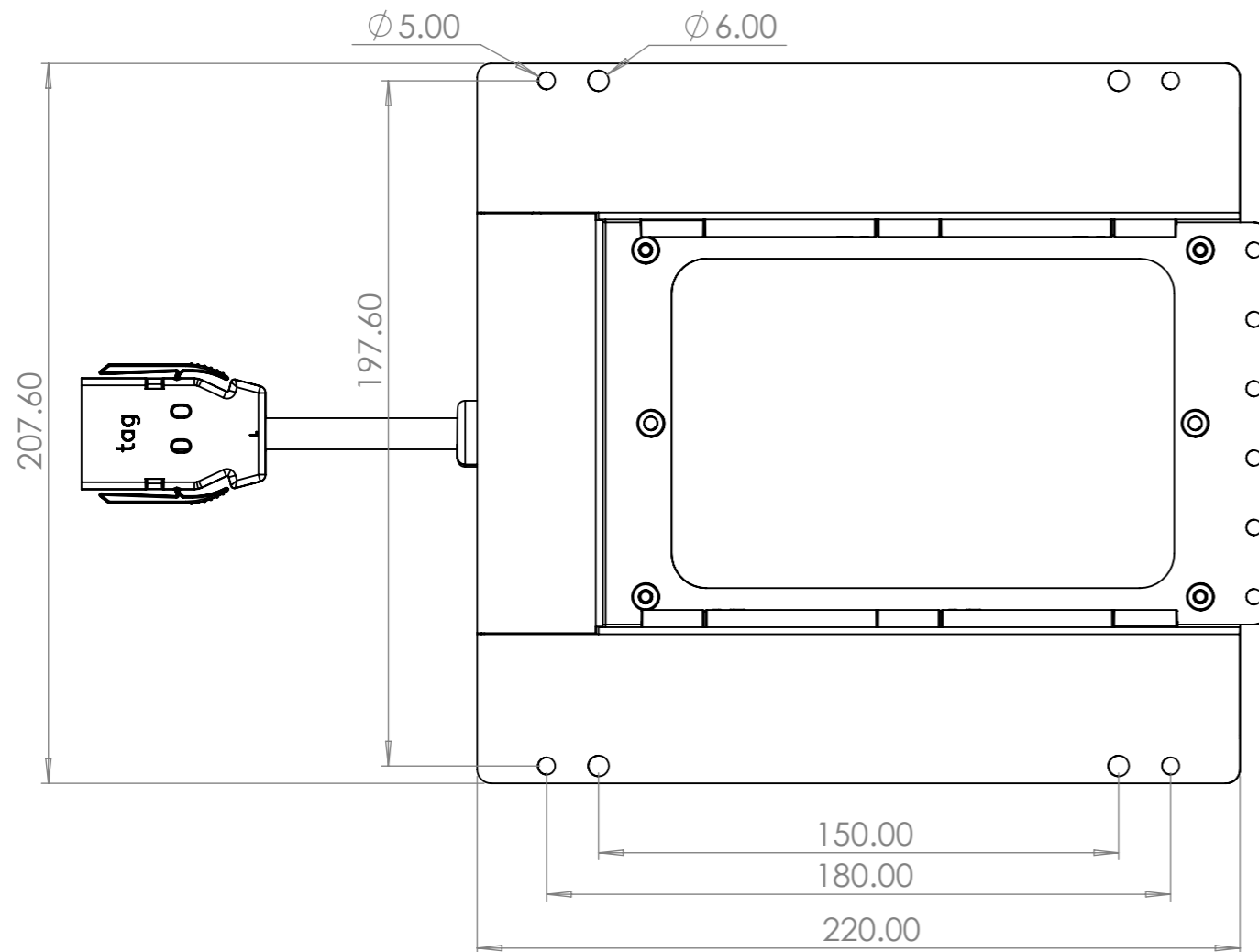
DRAWING:
 LU47608

REV:
 1

SCALE 1:1

A3


SHEET 1 OF 2



REV	DESCRIPTION	DATE	DRWN	APPV
A	UPDATED USB CHARGERS	25/03/2025	AP	RG
1	RELEASED FOR PRODUCTION	11/2/25	AP	RG
REVISIONS				

CUSTOMER SIGNATURE:
MATERIAL: 1.2mm M.s
FINISH: POWDERCOATED
COLOUR: BLACK SATIN
THIS DRAWING & ASSOCIATED CAD FILES ARE ISSUED IN THE STRICTEST CONFIDENCE AND ARE ONLY TO BE USED IN THE COMMERCIAL INTERESTS OF CMS ELECTRACOM PTY LTD

TOLERANCES UNLESS OTHERWISE STATED: X ±0.5 X.X ±0.2 X.XX ±0.1 X.XXX ±0.05 ANG ±0.5°
DRAWN IN mm TO AS1100 DO NOT SCALE

 **CMS Electracom** COPYRIGHT © 2020

TITLE: VERO USB HOUSING

DRAWING: LU47692	REV: 2	A3
SCALE 1:5	SHEET 1 OF 2	