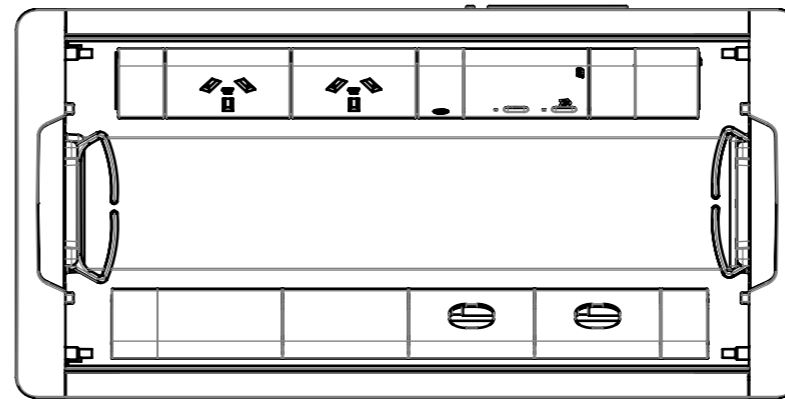
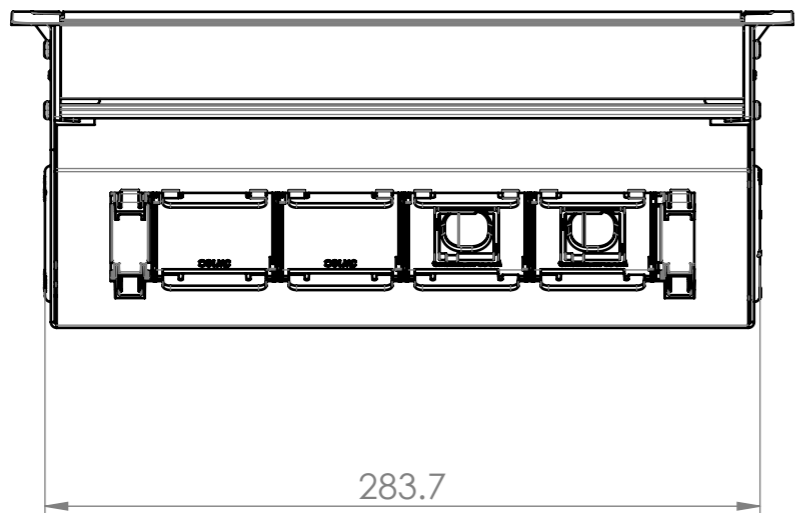


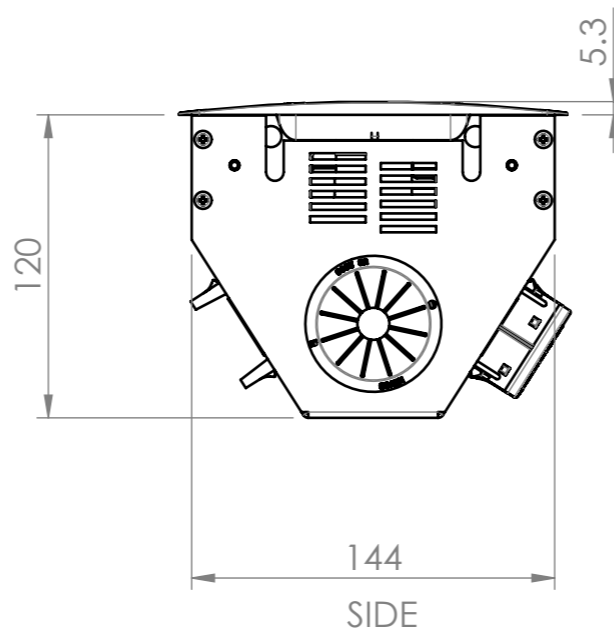
TOP



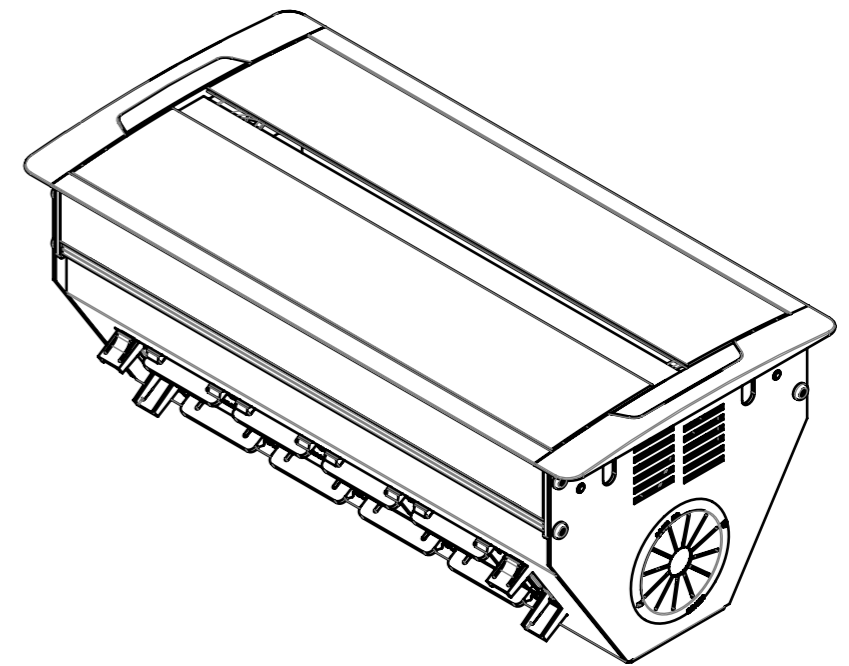
TOP NO LID



283.7  
FRONT



144  
SIDE



295



CUT-OUT  
(0.0 + 2.0)

148

|  |           |
|--|-----------|
| <b>CUSTOMER SIGNATURE:</b>   |           |
| <b>MATERIAL:</b>   | ALUMINIUM |
| <b>FINISH:</b>   | VARIOUS   |
| <b>COLOUR:</b>   | VARIOUS   |
| THIS DRAWING & ASSOCIATED CAD FILES ARE ISSUED IN THE STRICTEST CONFIDENCE AND ARE ONLY TO BE USED IN THE COMMERCIAL INTERESTS OF CMS ELECTRACOM PTY LTD |           |

**TOLERANCES UNLESS OTHERWISE STATED:**

X ±0.5  
X.X ±0.2  
X.XX ±0.1  
X.XXX ±0.05  
ANG ±0.5°

DRAWN IN mm TO AS1100 DO NOT SCALE



**CMS Electracom** COPYRIGHT © 2015

**TITLE:**  
ACCEDE WITH 2 GPO + SW18UCC65 + 2 DATA

**DRAWING:**

LU50224

**REV:**

1

A3

SCALE 1:3

SHEET 1 OF 2

|           |                         |           |      |      |
|-----------|-------------------------|-----------|------|------|
| 1         | RELEASED FOR PRODUCTION | 27/1/2026 | JB   | RG   |
| REV       | DESCRIPTION             | DATE      | DRWN | APPV |
| REVISIONS |                         |           |      |      |