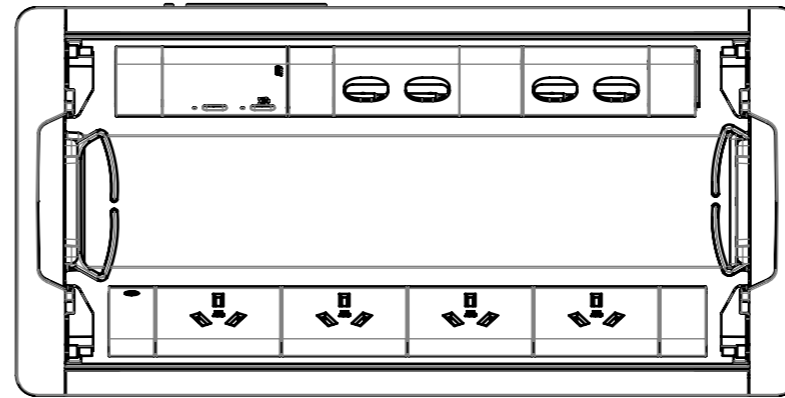
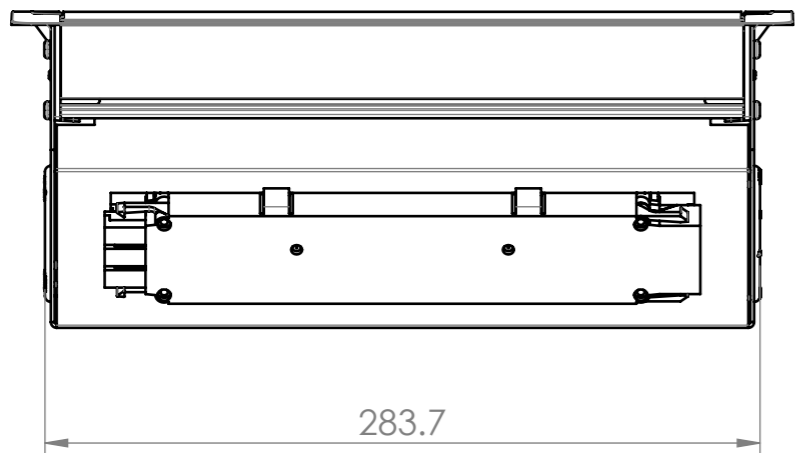


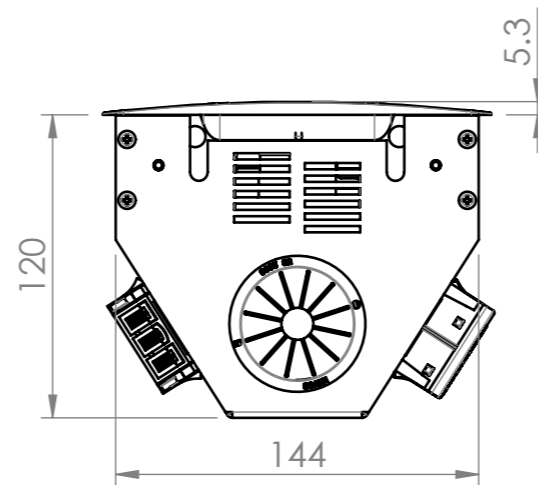
TOP



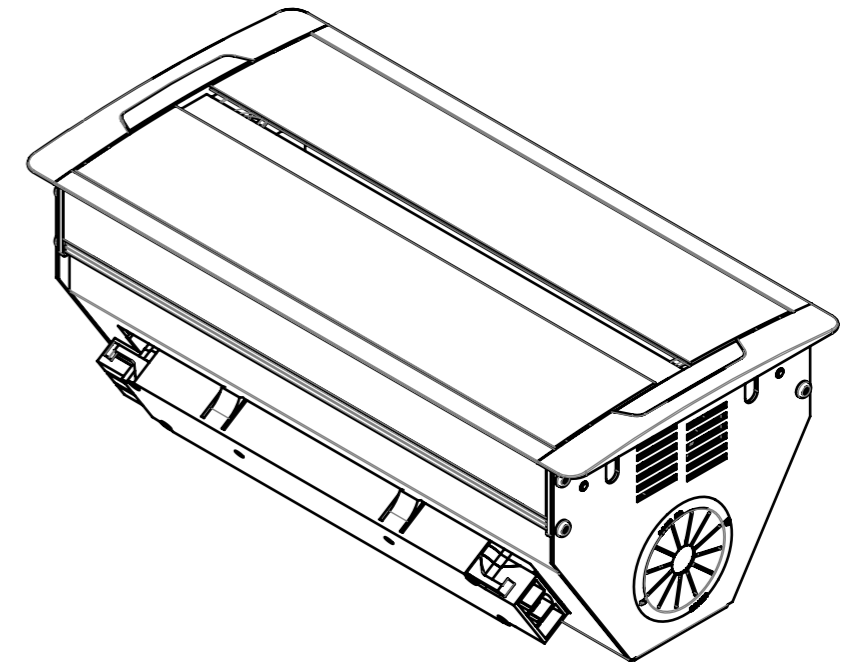
TOP NO LID



FRONT



SIDE



295



148

CUSTOMER SIGNATURE:	TOLERANCES UNLESS OTHERWISE STATED: X ±0.5 X.X ±0.2 X.XX ±0.1 X.XXX ±0.05 ANG ±0.5°
MATERIAL: POLYCARBONATE / ALUMINIUM	
FINISH: FINE EDM / ANODISED	
COLOUR: VARIOUS / SILVER	

THIS DRAWING & ASSOCIATED CAD FILES ARE ISSUED IN THE STRICTEST CONFIDENCE AND ARE ONLY TO BE USED IN THE COMMERCIAL INTERESTS OF CMS ELECTRACOM PTY LTD

DRAWN IN mm TO AS1100 DO NOT SCALE



CMS Electracom COPYRIGHT © 2015

TITLE:
ACCEDE DUAL LID WITH 4 X GPO + SW18UCC65+ 4 DATA

DRAWING: LU50228	REV: 1	A3
----------------------------	------------------	-----------

SCALE 1:3	SHEET 1 OF 2
-----------	--------------

1	RELEASED FOR PRODUCTION	27/1/2026	JB	RG
REV	DESCRIPTION	DATE	DRWN	APPV
REVISIONS				