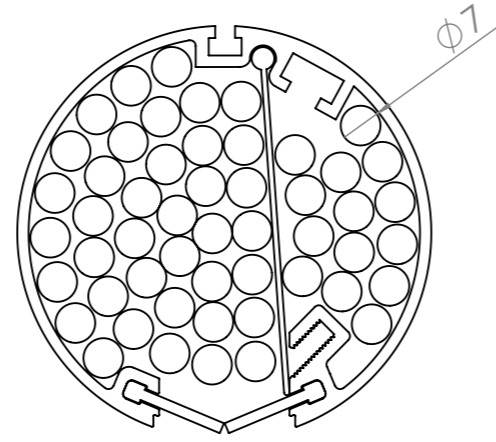
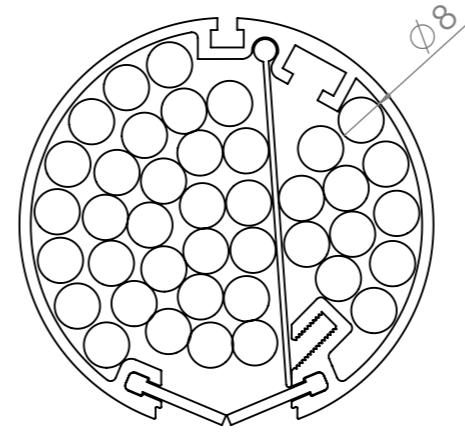


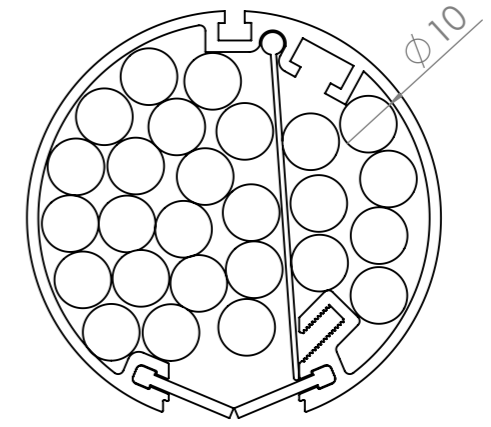
CAT 6
71 CABLES



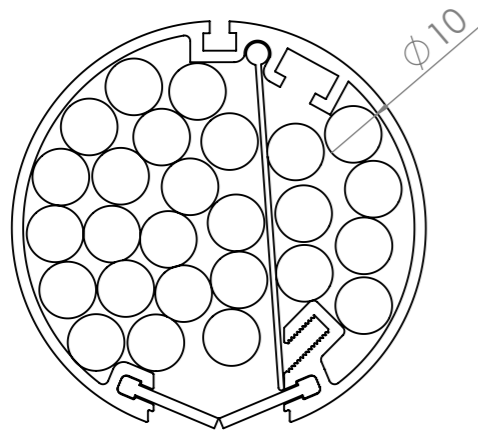
CAT 6A
52 CABLES




CAT 7
40 CABLES



CAT 8
26 CABLES



2.5mm power cable
26 CABLES

CUSTOMER SIGNATURE:	TOLERANCES UNLESS OTHERWISE STATED: X ±0.5 X.X ±0.2 X.XX ±0.1 X.XXX ±0.05 ANG ±0.5°	 CMS Electracom <small>COPYRIGHT © 2020</small>		
MATERIAL:		TITLE: SPT DATA AND POWER CAPACITY		
FINISH:		DRAWING: LU5124	REV: 2	A3
COLOUR:		SCALE 3:4 SHEET 1 OF 1		
<small>THIS DRAWING & ASSOCIATED CAD FILES ARE ISSUED IN THE STRICTEST CONFIDENCE AND ARE ONLY TO BE USED IN THE COMMERCIAL INTERESTS OF CMS ELECTRACOM PTY LTD</small>		<small>DRAWN IN mm TO AS1100 DO NOT SCALE</small> 