
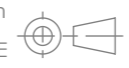
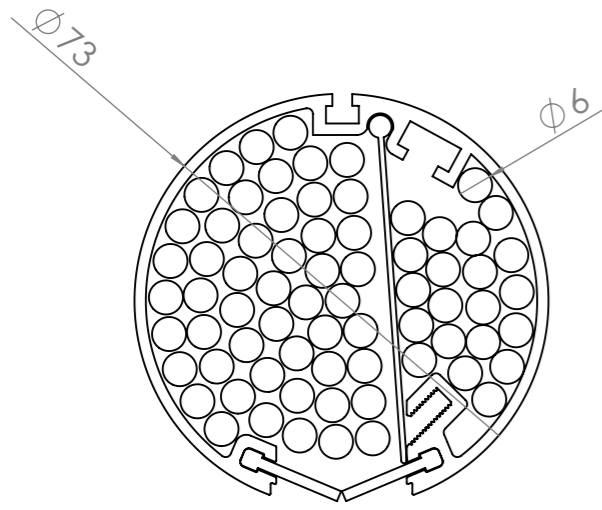


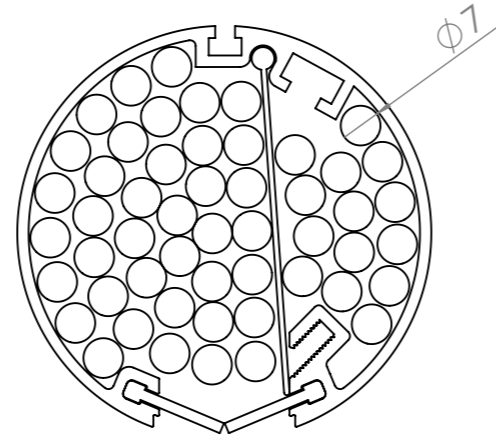
ITEM NO.	PART NUMBER	QTY.
1	TOTEM POLE	1
2	TOTEM POLE BRUSH STRIP	2
3	LU579_V2_Round power pole base single flange	1
4	AXCD	1
5	Segregation flap	1

<b>CUSTOMER SIGNATURE:</b>		<b>TOLERANCES UNLESS OTHERWISE STATED:</b>  X $\pm 0.5$ X.X $\pm 0.2$ X.XX $\pm 0.1$ X.XXX $\pm 0.05$ ANG $\pm 0.5^\circ$	 <b>CMS Electracom</b> <small>COPYRIGHT © 2015</small>	
<b>MATERIAL:</b> ALUMINIUM / PLASTIC			<b>TITLE:</b> TOTEM POLE - CEILING TO FLOOR	
<b>FINISH:</b> ANODISED / FINE EDM			<b>DRAWING:</b> LU9448	
<b>COLOUR:</b> CLEAR / WHITE		<b>REV:</b> 1		
THIS DRAWING & ASSOCIATED CAD FILES ARE ISSUED IN THE STRICTEST CONFIDENCE AND ARE ONLY TO BE USED IN THE COMMERCIAL INTERESTS OF CMS ELECTRACOM PTY LTD		DRAWN IN mm TO AS1100 DO NOT SCALE 		
SCALE 1:5		SHEET 1 OF 1		

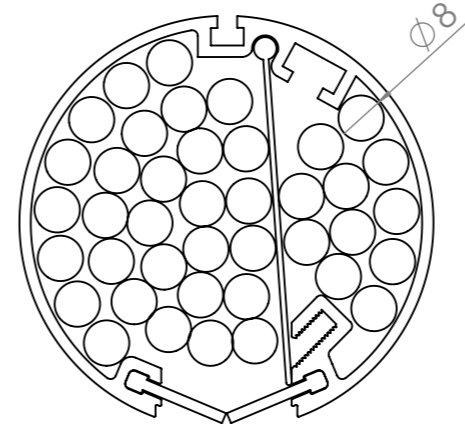
REV	ISSUED FOR SALES DESCRIPTION	02/05/17 DATE	AP DRWN	RG APPV
REVISIONS				



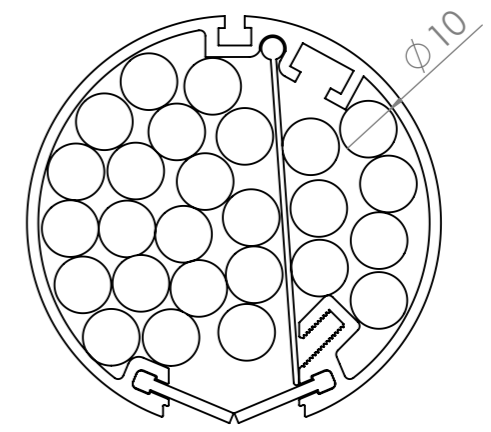
CAT 6  
71 CABLES



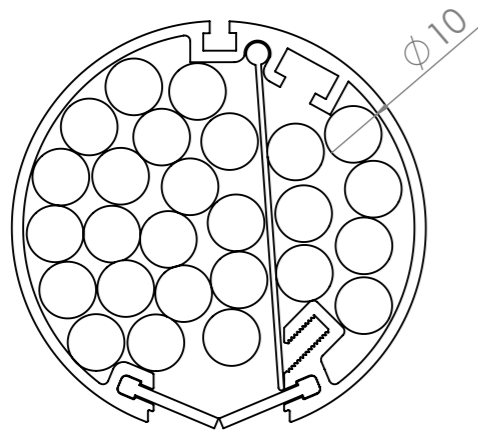
CAT 6A  
52 CABLES




CAT 7  
40 CABLES



CAT 8  
26 CABLES



2.5mm power cable  
26 CABLES

CUSTOMER SIGNATURE:	<b>TOLERANCES UNLESS OTHERWISE STATED:</b>  X ±0.5 X.X ±0.2 X.XX ±0.1 X.XXX ±0.05 ANG ±0.5°	 <b>CMS Electracom</b> <small>COPYRIGHT © 2020</small>		
MATERIAL:		<b>TITLE:</b> SPT DATA AND POWER CAPACITY		
FINISH:		<b>DRAWING:</b> LU5124	<b>REV:</b> 2	<b>A3</b>
COLOUR:		SCALE 3:4      SHEET 1 OF 1		
<small>THIS DRAWING &amp; ASSOCIATED CAD FILES ARE ISSUED IN THE STRICTEST CONFIDENCE AND ARE ONLY TO BE USED IN THE COMMERCIAL INTERESTS OF CMS ELECTRACOM PTY LTD</small>		<small>DRAWN IN mm TO AS1100 DO NOT SCALE</small> 