
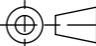


REV	DESCRIPTION	DATE	DRWN	APPV
1	RELEASED	20/09/2016	JC	
REVISIONS				

<b>MATERIAL:</b> P.C		<b>TOLERANCES UNLESS OTHERWISE STATED:</b> X ±0.5 X.X ±0.2 X.XX ±0.1 X.XXX ±0.05 ANG ±0.5°	 <b>CMS Electracom</b> <small>COPYRIGHT © 2015</small>	
<b>FINISH:</b> SMOOTH / TEXTURED			<b>TITLE:</b> ALPHA 2 GPO + 2 DATA	
<b>COLOUR:</b> -			<b>DRAWING:</b> LU9144	<b>REV:</b> 1
<small>THIS DRAWING &amp; ASSOCIATED CAD FILES ARE ISSUED IN THE STRICTEST CONFIDENCE AND ARE ONLY TO BE USED IN THE COMMERCIAL INTERESTS OF CMS ELECTRACOM PTY LTD</small>		<small>DRAWN IN mm TO AS1100 DO NOT SCALE</small> 		SCALE 1:2      SHEET 1 OF 1