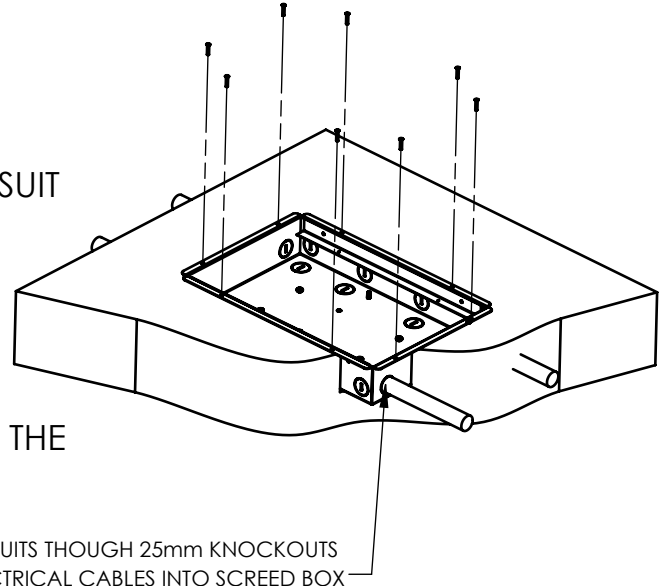


# CMS INSTALLATION GUIDE

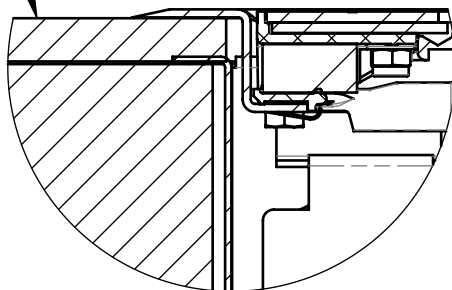
## CENTURY FLOORBOX RANGE (CT02, CT04, CT06)

STEP 1 -  
CUT HOLE IN CONCRETE OR ACCESS FLOOR TO SUIT  
FLOORBOX AS NOMINATED ON DRAWING

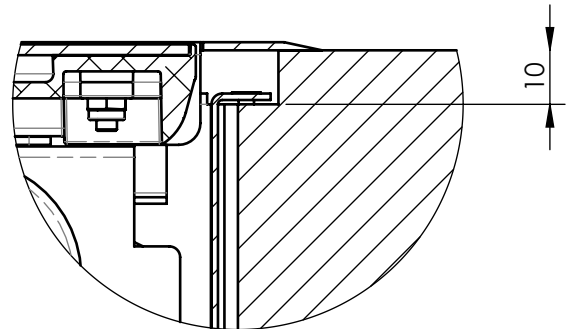
FOR POLISHED CONCRETE:  
REBATE CONCRETE **10mm** FOR FLOORBOX  
UNDERCARRIAGE TO SIT 10mm LOWER THAN  
FINISHED LEVEL OF CONCRETE, THIS WILL ENSURE THE  
LID OPENS AND CLOSES CORRECTLY



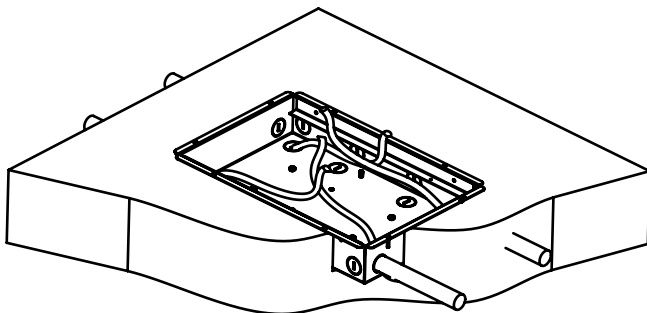
CARPET  
MINIMUM 7MM



CARPET/ACCESS FLOORS



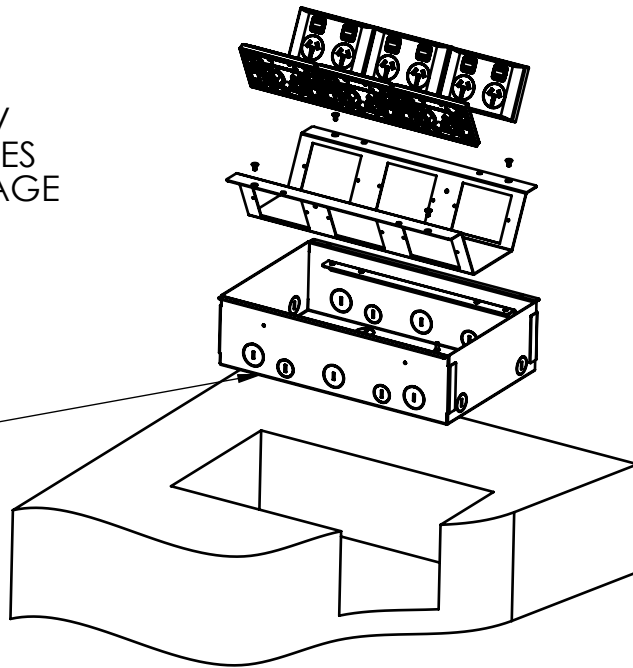
POLISHED CONCRETE/TIMBER FLOORS



STEP 2 -  
FEED CABLES INTO FLOORBOX  
INSTALL UNDERCARRIAGE

STEP 3 -  
TERMINATE ALL GPO DATA AND AV  
OUTLETS INTO THE MOUNTING PLATES  
AND INSTALL TO THE UNDERCARRIAGE  
USING THE SCREWS PROVIDED.

INSTALL GPO'S ENSURING  
EARTH LEAD IS SECURED TO THE  
EARTH STUD PROVIDED IN THE SCREEDBOX



STEP 4 -  
LAY CARPET AND CUT OUT HOLE FOR  
THE LID TO FIT- USE CUT PIECE TO INSTALL  
INTO RECESS (IF APPLICABLE)  
INSTALL AND SECURE THE LID FRAME  
TO THE FLOORBOX UNDERCARRIAGE  
USING THE FIXING SCREWS PROVIDED

