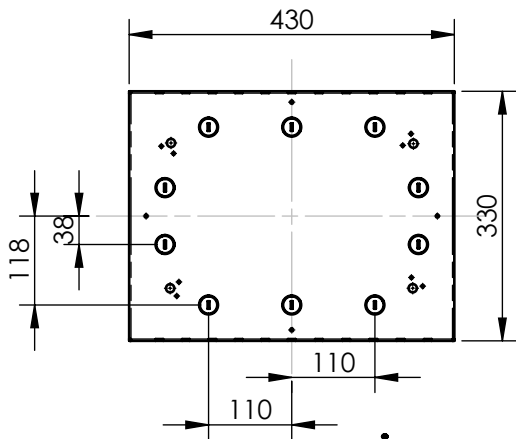
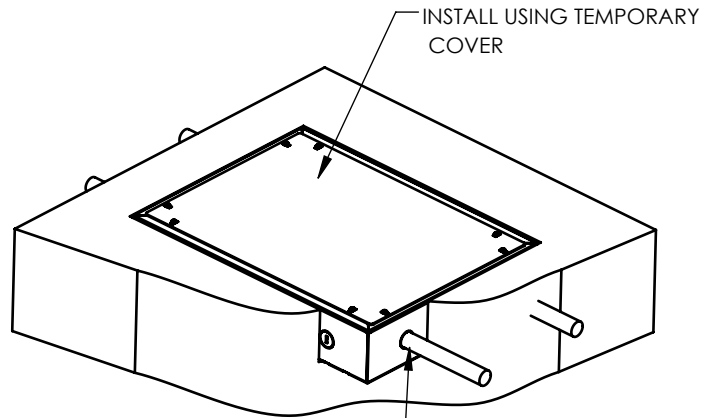


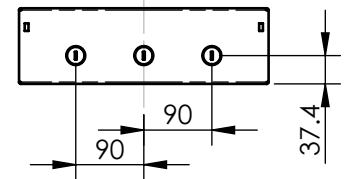
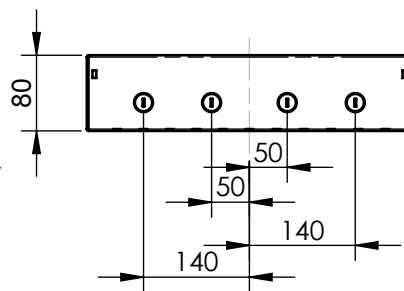
# CMS INSTALLATION GUIDE

## SCREED BOX APPLICATION - FT4 LOW PROFILE

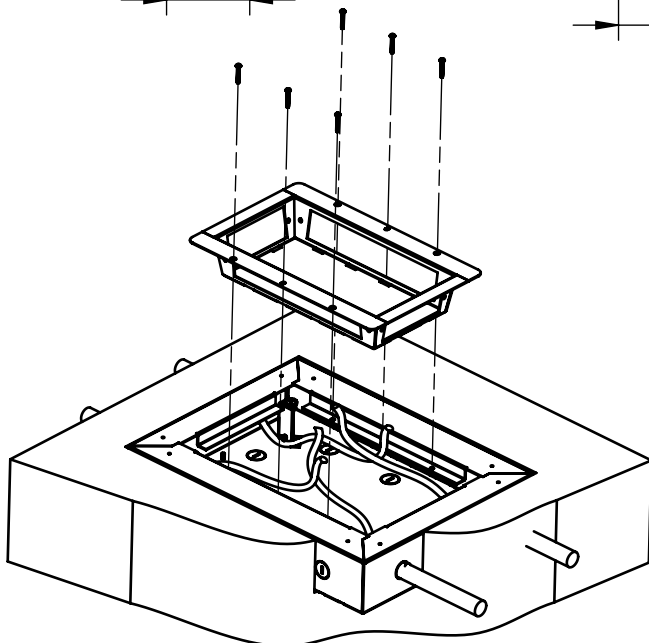
**STEP 1 -**  
 LEVEL AND ANCHOR SCREED BOX  
 USING WIRE OR SCREWS TO PREVENT  
 MOVEMENT DURING CONCRETE POUR.  
 POSITION TO ENSURE TOP OF BOX IS FLUSH  
 WITH FINISHED LEVEL OF CONCRETE



INSTALL CONDUITS THROUGH 25mm KNOCKOUTS  
 AND RUN ELECTRICAL CABLES INTO SCREED BOX



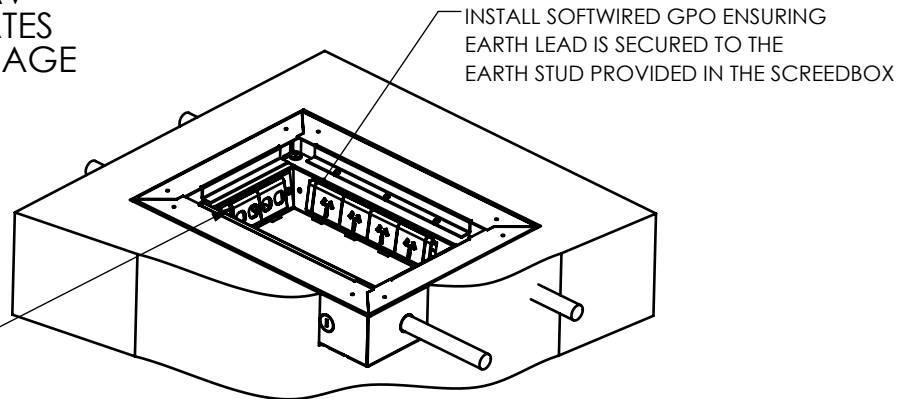
CONDUIT LOCATIONS FT4CH SCREEDBOX



**STEP 2 -**  
 REMOVE TEMPORARY SCREEDBOX  
 COVER AND INSTALL THE UNDERCARRIAGE  
 USING THE SCREWS PROVIDED

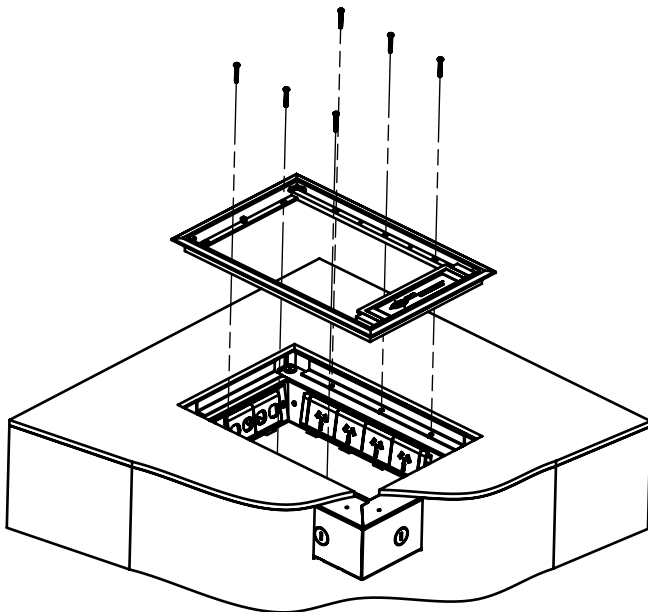
STEP 3 -  
TERMINATE ALL GPO DATA AND AV  
OUTLETS INTO THE MOUNTING PLATES  
AND INSTALL TO THE UNDERCARRIAGE  
USING THE SCREWS PROVIDED.

SECURE ALL DATA AND AV PLATES  
USING THE SCREWS PROVIDED



STEP 4 -  
LAY CARPET AND CUT OUT HOLE FOR  
THE LID TO FIT- USE CUT PEICE TO INSTALL  
INTO RECESS (IF APPLICABLE)  
INSTALL AND SECURE THE LID FRAME  
TO THE FLOORBOX UNDERCARRIAGE  
USING THE FIXING SCREWS PROVIDED

NOTE: THE LID IS ADJUSTABLE TO ACCOMODATE  
VARYING CARPET THICKNESS



CARPET AND INFILL

