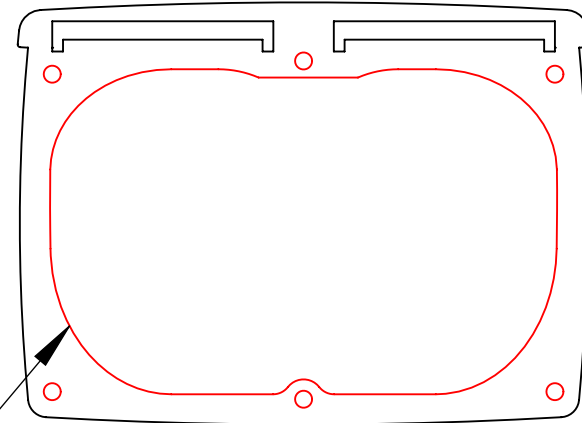
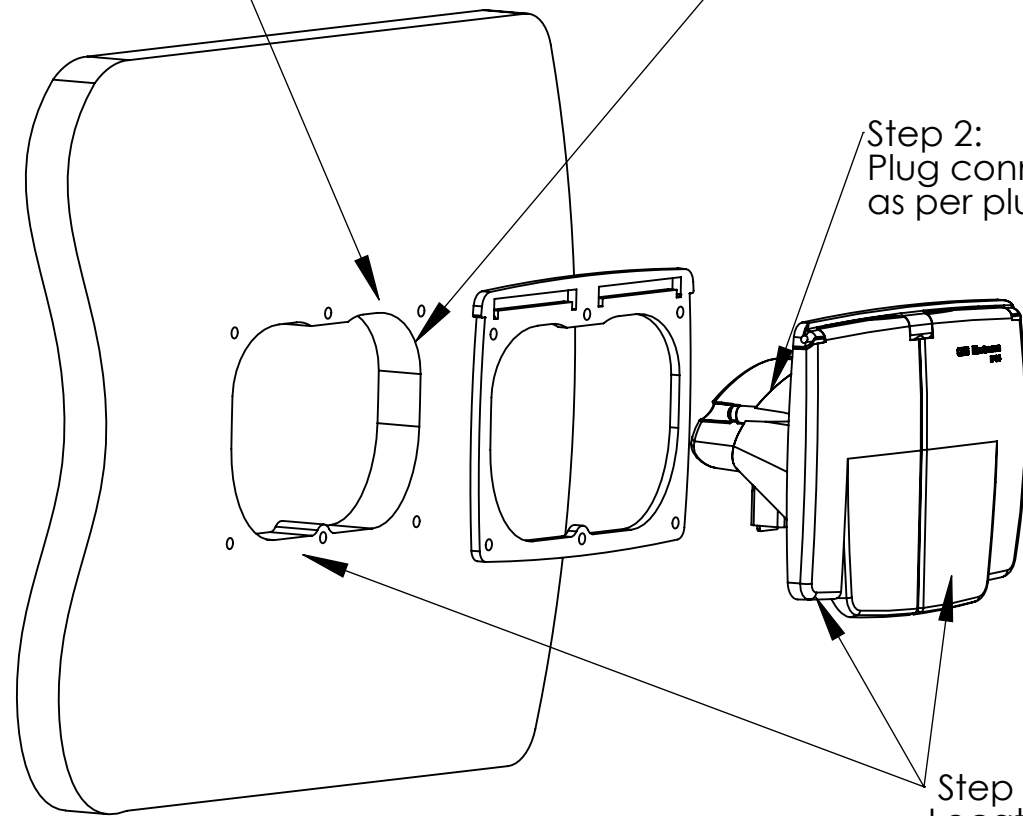


Step 1:  
Mark cut-out hole in correct location, using foam gasket as a template, and accurately cut-out hole.



Cut-out hole in RED only

Step 2:  
Plug connecting lead into JOL02 unit, as per plug and socket installation instruction.



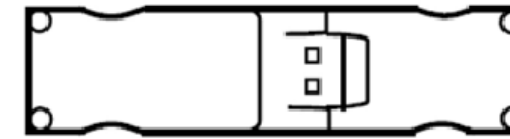
Step 3:  
Locate Gasket and outlet with cut-out and screw fix together. Ensure fixing screws are fully tightened.

# Tag

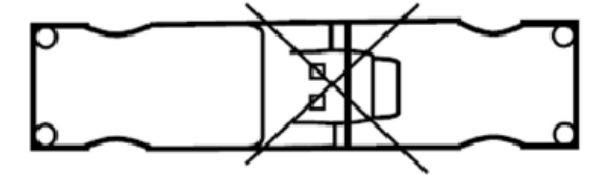
## Plug and Socket Couplers Installation Instructions

### Installation couplers are to be:

- Fully engaged and the retaining arms latched



Correct



Incorrect

- Not under excessive strain, in case of doubt fix cable and connectors
- Not dangerously compatible with other installation coupler systems used in the same installation. Interchange ability with other installation coupler systems is not ensured
- Installed, connected and tested in accordance with AS/NZ 3000 (wiring rules and regulations)
- Distribute the load between outlets as evenly as possible
- Ensure that the sum of the loads on all outlets does not overload the input coupler and cable

**DO NOT INSERT TEST PROBES LARGER THAN 0.8MM WIDE AS YOU WILL DAMAGE CONTACT**

Test plugs are supplied with starter sockets. Additional test plugs are available free of charge, should you require some please contact our sales team.