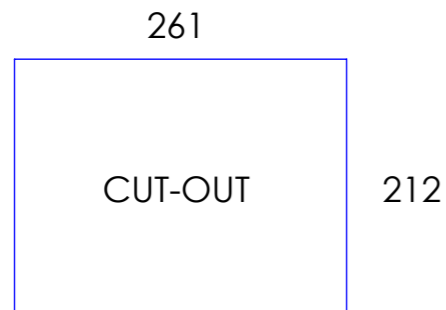
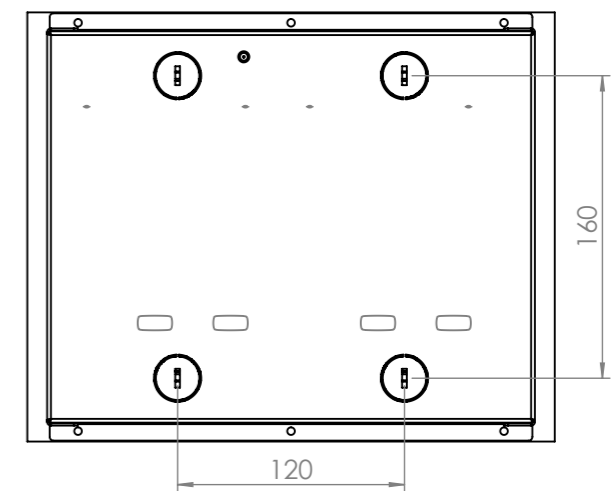
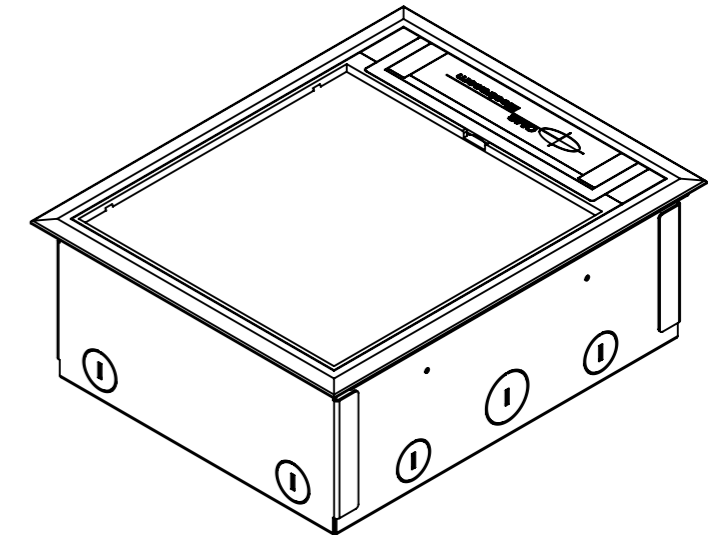
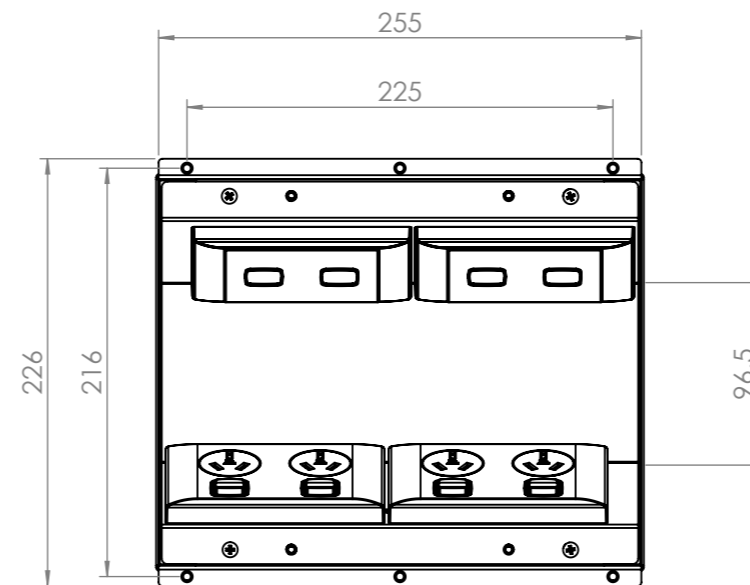
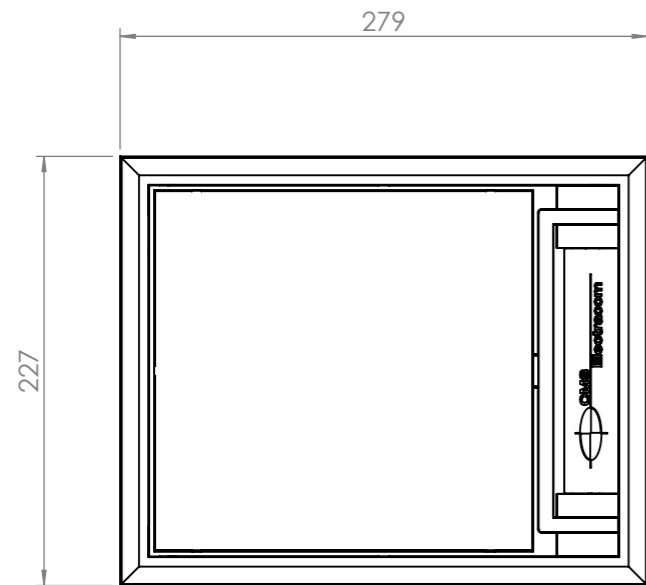


SECTION A-A



REV	DESCRIPTION	DATE	DRWN	APPV
6	ADDED GAL INSERT PLATE FOR LID	4/02/2019	JC	RG
5	REMOVED ONE EARTH STRAP	11/09/2018	JC	RG
4	UPDATED SCREWS IN BOM	28/08/2018	JC	RG
3	UPDATED BOM	27/06/2018	JC	AP
2	RELEASED FOR PRODUCTION	22/05/2018	JC	AP
1	RELEASED FOR QUOTATION - NOT FOR PRODUCTION	22/05/2018	JC	AP
REVISIONS				

CUSTOMER SIGNATURE:
MATERIAL: PLASTIC / MS
FINISH: TEXTURED / POWDERCOATED
COLOUR: BLACK SATIN
THIS DRAWING & ASSOCIATED CAD FILES ARE ISSUED IN THE STRICTEST CONFIDENCE AND ARE ONLY TO BE USED IN THE COMMERCIAL INTERESTS OF CMS ELECTRACOM PTY LTD

TOLERANCES UNLESS OTHERWISE STATED: X ±0.5 X.X ±0.2 X.XX ±0.1 X.XXX ±0.05 ANG ±0.5°
DRAWN IN mm TO AS1100 DO NOT SCALE

CMS Electracom COPYRIGHT © 2015

TITLE:
CT04GY/BK CENTURY BOX

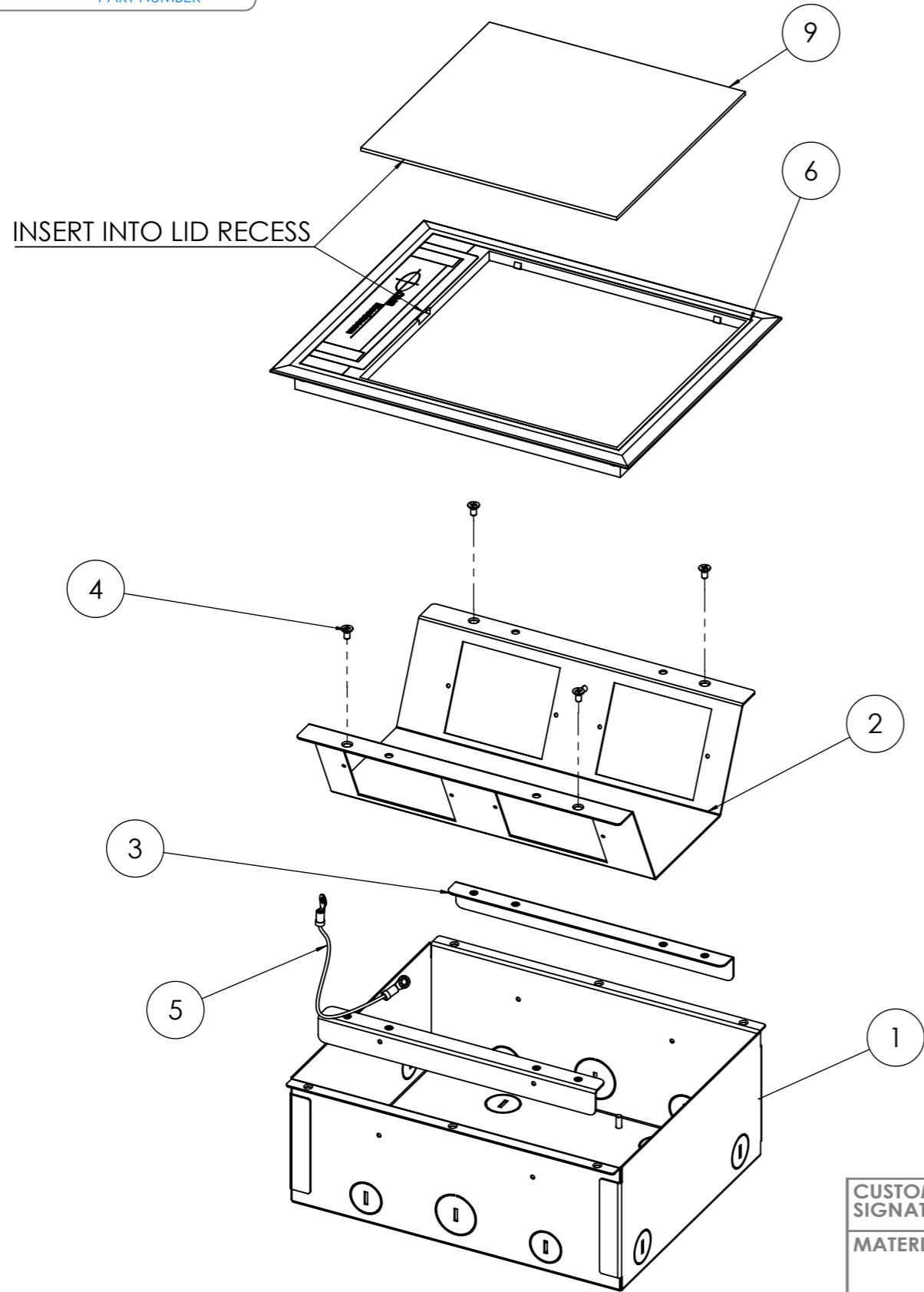
DRAWING: LU25533

REV: 6

SCALE: 1:4

SHEET: 1 OF 2

A3



- 7 INCLUDE IN A SATCHEL
8X 6G x 1" TYPE B PAN HEAD SELF TAP
AND
- 8 4x M4 x 20 CSK MACHINE SCREWS

ITEM NO.	PART NUMBER	QTY.
1	LU25534_FB3 UNDERCARRIAGE TO SUIT MEDIUM CENTURY BOX	1
2	LU25538_MEDIUM SIZE FB plate	1
3	LU25541_FB MEDIUM SUPPORT PLATE	2
4	M4 X 8 CSK MACHINE SCREWS	4
5	LU9436_150mm EARTH STRAP FROM GPO PLATE TO UNDERCARRIAGE	1
6	F3 lid	1
7	6G x 1" TYPE B PAN HEAD SELF TAP	8
8	M4 x 20 CSK MAHCINE SCREW	4
9	LU3414_FB3 GAL INSERT	1

CUSTOMER SIGNATURE:

MATERIAL: PLASTIC / MS

FINISH: TEXTURED / POWDERCOATED

COLOUR: BLACK SATIN

THIS DRAWING & ASSOCIATED CAD FILES ARE ISSUED IN THE STRICTEST CONFIDENCE AND ARE ONLY TO BE USED IN THE COMMERCIAL INTERESTS OF CMS ELECTRACOM PTY LTD

TOLERANCES UNLESS OTHERWISE STATED:

X ±0.5
 X.X ±0.2
 X.XX ±0.1
 X.XXX ±0.05
 ANG ±0.5°

DRAWN IN mm
 TO AS1100
 DO NOT SCALE



TITLE: CT04GY/BK CENTURY BOX

DRAWING: LU25533
REV: 6
A3
 SCALE 1:4 SHEET 2 OF 2