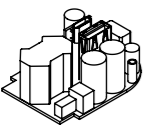
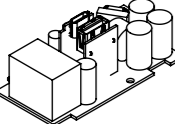
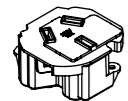
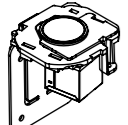

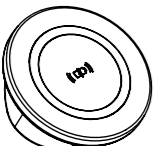
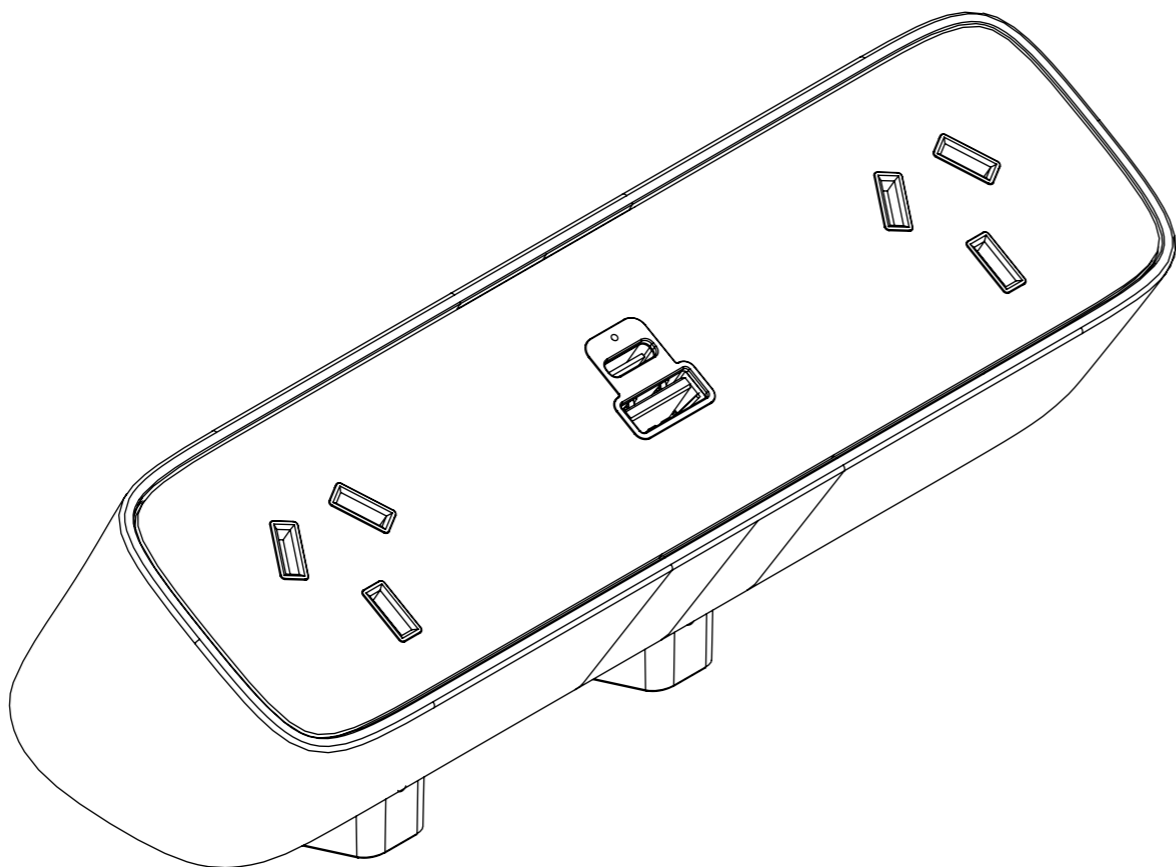


-  30W USB AC MODUAL = U
-  65W USB AC MODUAL = W
-  AU/NZ SOCKET OUTLET = A
-  ENGAGE = N
ENGAGE + RFID = R
-  HELIPAD (15W) = P
-  HELIPAD (15W) = J3
NON-QI2

USE SC_CMS129_08 WHEN
INSTALLING USB

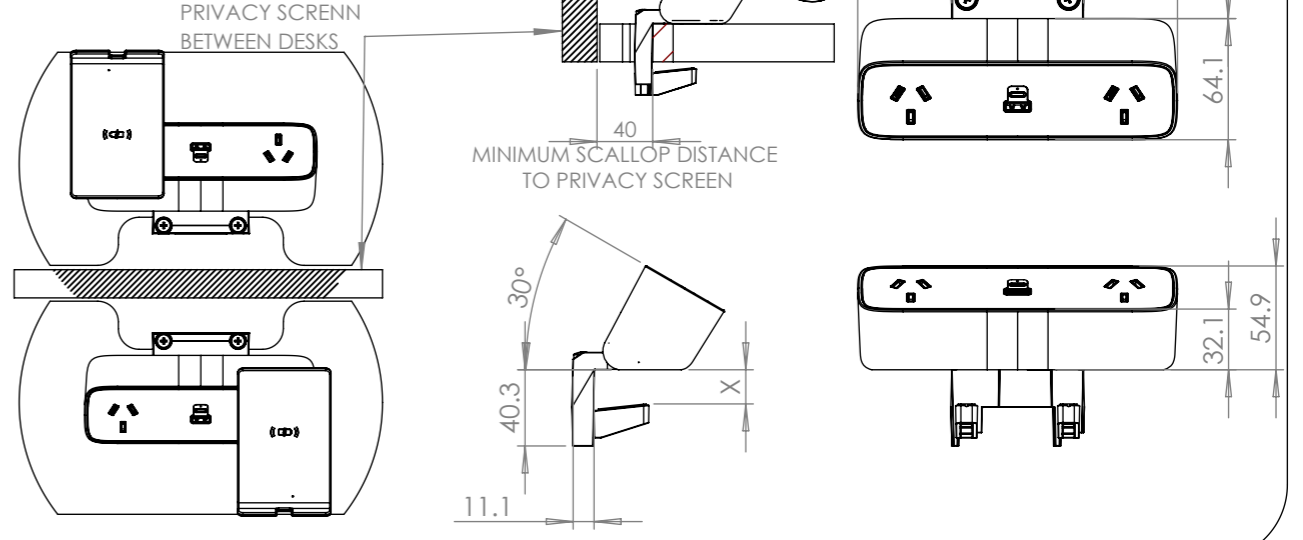


**FACTORY ONLY INSERTABLE MODULES
REFER PAGE 2 FOR MODULE
CONFIGURATION**



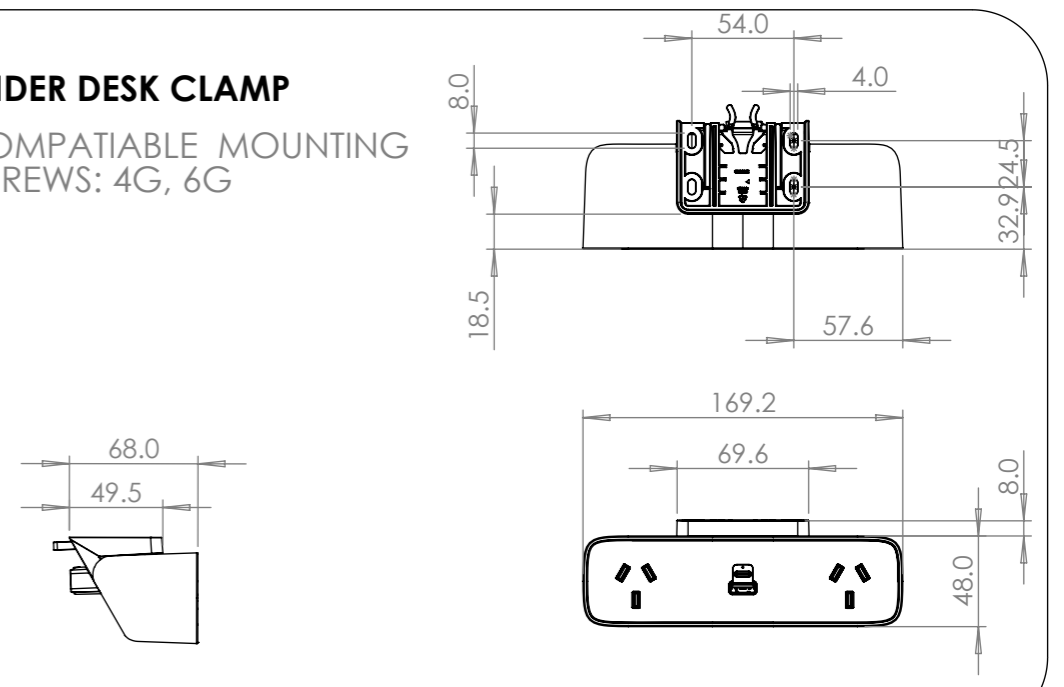
ABOVE DESK CLAMP

MIN TABLE THICKNESS: 20MM
MAX TABLE THICKNESS: 32MM
NOTE:
TABLE SCALLOP OF 40mm MINIMUM REQUIRED
WHEN USING HELISTAND & PRIVACY SCREEN TO
ALLOW ADDITIONAL SPACE FOR LARGE PHONES




UNDER DESK CLAMP

COMPATIBLE MOUNTING
SCREWS: 4G, 6G



1	RELEASED FOR PRODUCTION	24/4/2025	JB	RG
REV	DESCRIPTION	DATE	DRWN	APPV
REVISIONS				

CUSTOMER SIGNATURE:		TOLERANCES UNLESS OTHERWISE STATED: X ±0.5 X.X ±0.2 X.XX ±0.1 X.XXX ±0.05 ANG ±0.5°
MATERIAL:	PC FR	
FINISH:	FINE EDM / POLISHED / FABRIC	
COLOUR:	REFER TABLE	
THIS DRAWING & ASSOCIATED CAD FILES ARE ISSUED IN THE STRICTEST CONFIDENCE AND ARE ONLY TO BE USED IN THE COMMERCIAL INTERESTS OF CMS ELECTRACOM PTY LTD		DRAWN IN mm TO AS1100 DO NOT SCALE



CMS Electracom COPYRIGHT © 2020

TITLE:
VIVA TRIO NON-QI2 AU CONFIGURATIONS

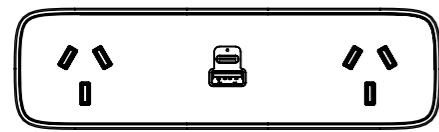
DRAWING:
LU48274

SCALE: 1:2

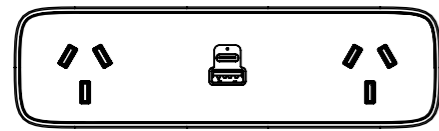
REV:
1

SHEET: 1 OF 11

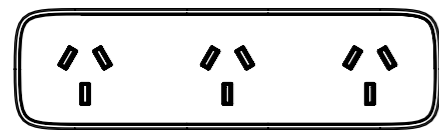
A3



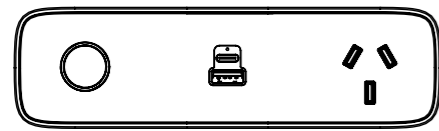
VT*AUAXxxXX



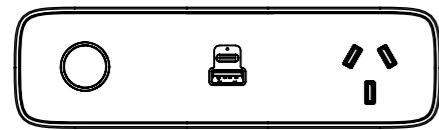
VT*AWAXxxXX



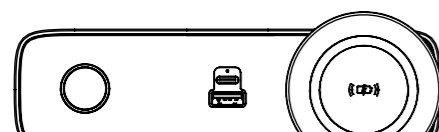
VT*AAAXxxX



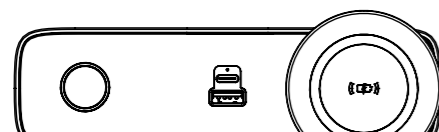
VT*#UAXxxX
ABOVE DESK CLAMP ONLY



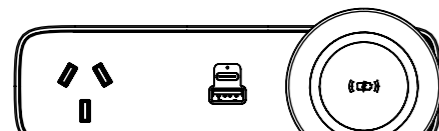
VT*#WAXxxX
ABOVE DESK CLAMP ONLY



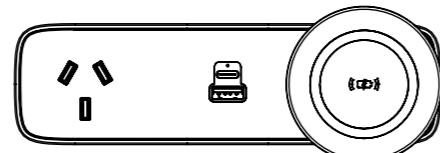
VT*#UJ3XxxXX
ABOVE DESK CLAMP ONLY



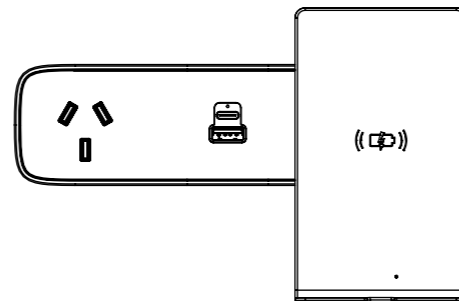
VT*#WJ3XxxXX
ABOVE DESK CLAMP ONLY



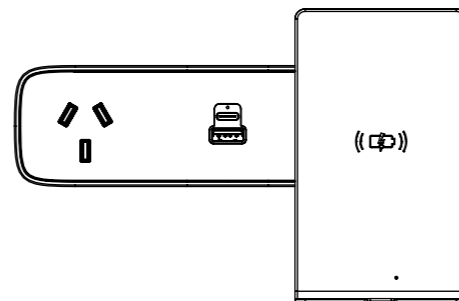
VT*AUJ3XxxXX
ABOVE DESK CLAMP ONLY



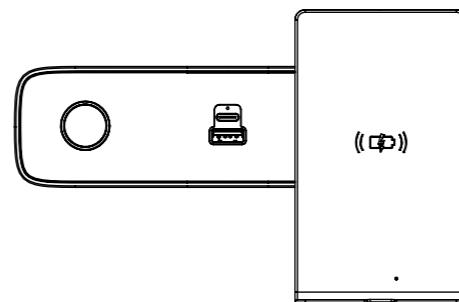
VT*AWJ3XxxXX
ABOVE DESK CLAMP ONLY



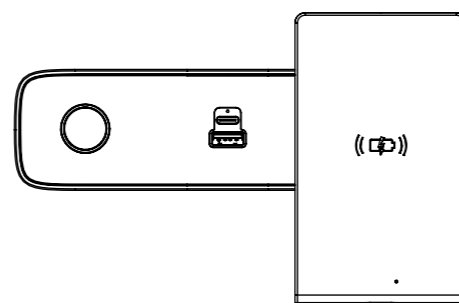
VT*AUPXxxXX
ABOVE DESK CLAMP ONLY



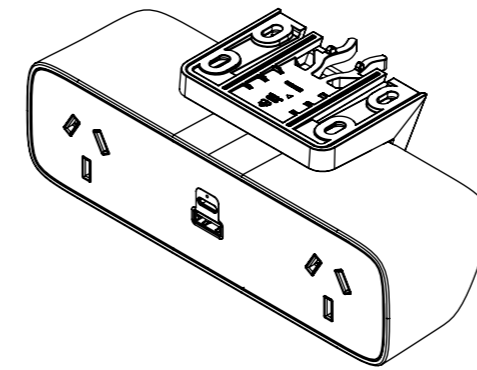
VT*AWPXxxXX
ABOVE DESK CLAMP ONLY



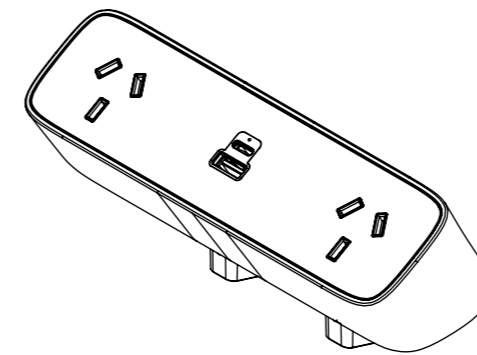
VT*#UPXxxXX
ABOVE DESK CLAMP ONLY



VT*#WPXxxXX
ABOVE DESK CLAMP ONLY

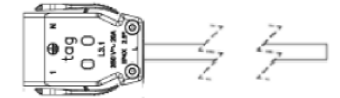


Z = UNDER DESK CLAMP



S = ABOVE DESK CLAMP

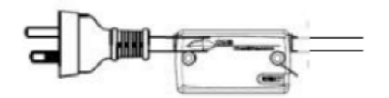
NOTE:



CABLE TYPE: 3 CORE x 2.5mm²
DESCRIPTION: TAG CONNECTOR LEAD
COLOUR: WHITE OR BLACK
(REFER TO PURCHASE ORDER)
LENGTH (mm):

xx	LENGTH (mm)
05	500
10	1000
15	1500
20	2000
25	2500
30	3000
35	3500
40	4000
45	4500
50	5000

NOTE:



CABLE TYPE: 3 CORE x 1.0mm²
DESCRIPTION: AUSTRALIAN PLUG LEAD
WITH THERMAL OVERLOAD
COLOUR: WHITE OR BLACK
(REFER TO PURCHASE ORDER)
LENGTH (mm):


xx	LENGTH (mm)
05	500
10	1000
15	1500
20	2000
25	2500
30	3000
35	3500
40	4000
45	4500
50	5000

COLOUR VARIATIONS	
PART NUMBER	DESCRIPTION
W	WHITE BODY & CLAMP
B	BLACK BODY & CLAMP
1	WHITE DECAL GLOSS
2	WHITE DECAL MATT
3	BLACK DECAL GLOSS
4	BLACK DECAL MATT
FABRIC FINISH REFER TO LU40878	
A	FABRIC COLOUR 1 - VANILA
B	FABRIC COLOUR 2 - SMOKE
C	FABRIC COLOUR 3 - IRON FORMERLY KNOWN AS CHARCOAL
D	FABRIC COLOUR 4 - CHARCOAL FORMERLY KNOWN AS BLACK

PART NUMBER: (REFER CONFIGURATION)XxxXX

NOTE - * - CLAMP TYPE - (S = ABOVE DESK OR Z = UNDER DESK)
- ENGAGE (N = ENGAGE OR R = ENDAGE + RFID)
X - LEAD TYPE (TAG = T OR 3PIN PLUG = I)
xx - LENGTH - 05 / 10 / 15 / 20 / 25 / 30 / 35 / 40 / 45 / 50
XX - COLOUR - W / B + 1 / 2 / 3 / 4 +(OPTIONAL) A / B / C / D

CUSTOMER SIGNATURE:	TOLERANCES UNLESS OTHERWISE STATED:
MATERIAL: PC FR	X ±0.5 X.X ±0.2 X.XX ±0.1 X.XXX ±0.05 ANG ±0.5°
FINISH: FINE EDM / POLISHED / FABRIC	
COLOUR: REFER TABLE	
THIS DRAWING & ASSOCIATED CAD FILES ARE ISSUED IN THE STRICTEST CONFIDENCE AND ARE ONLY TO BE USED IN THE COMMERCIAL INTERESTS OF CMS ELECTRACOM PTY LTD	DRAWN IN mm TO AS1100 DO NOT SCALE

 CMS Electracom COPYRIGHT © 2020	
TITLE: VIVA TRIO NON-Q12 AU CONFIGURATIONS	
DRAWING: LU48274	REV: 1
SCALE 1:2	SHEET 2 OF 11
A3	