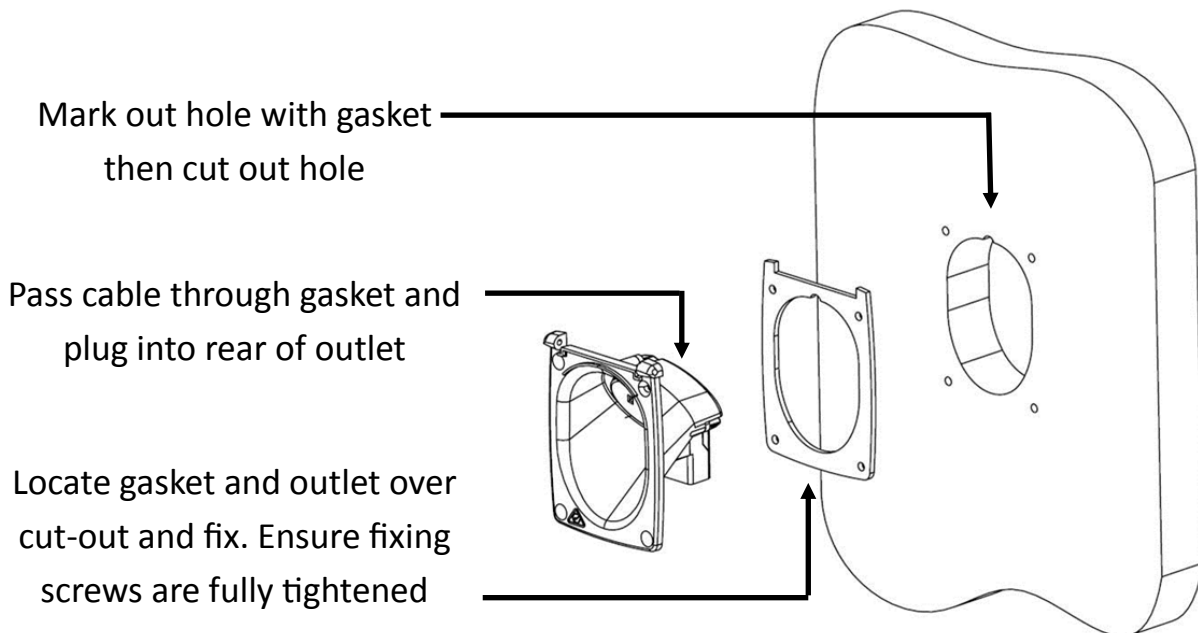


COL10 & JOL10 installation instructions



Note:

Only licensed electricians are permitted to install and connect electrical wiring

Product must only be used when fitted to a caravan wall

Installation couplers:

Are to be engaged and dis-engaged without load only

Are not suitable for readily accessible areas

Are not to be considered as a replacement for the national domestic plug and socket outlet systems complying with AS/NZS 3112, AS/NZS 3123 and AS/NZS 60320.1

Dangerous compatibility between different coupler systems is not automatically prevented by the couplers compliance with AS/NZS 61525

Are to be installed, connected and tested in accordance with AS/NZS 3000 (Australian and New Zealand wiring rules and regulations)