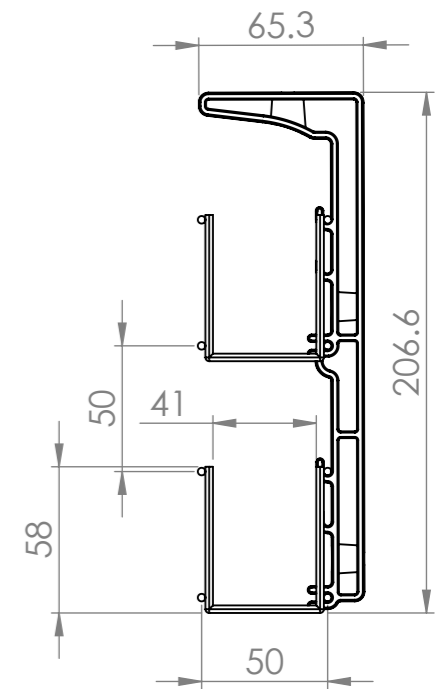
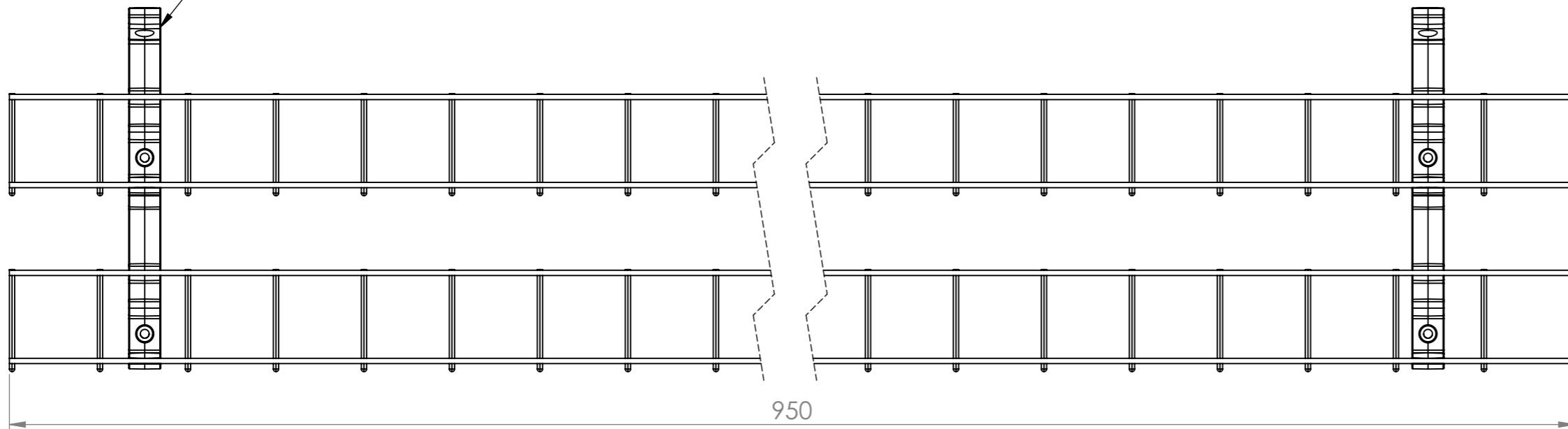



POSITION OF CLIPS IS VARIABLE.



REVISION HISTORY		UNLESS OTHERWISE SPECIFIED: DIMENSIONS ARE IN MILLIMETERS		DO NOT SCALE DRAWING		REVISION 1	
DATE	MODIFICATIONS	TOLERANCES		 CMS Electracom TITLE: WG20950SL			
03/04/13	ISSUED FOR EVALUATION	0.00 ± 0.02 ANGULAR ± 0.5° 0.0 ± 0.1 0 ± 0.5					
		DEBUR AND BREAK SHARP EDGES		THE MATERIAL CONTAINED HEREIN IS THE SOLE PROPERTY OF CMS ELECTRACOM. ANY UNAUTHORIZED REPRODUCTIONS, MODIFICATIONS AND / OR DISTRIBUTION IS STRICTLY PROHIBITED.			
		NAME	DATE				
		LUCKY	03/04/13	MATERIAL: X		DWG NO. X	
				FINISH: X		PART NO. WG20950SL	
				FILE ON SHARED\CAD: x		SCALE 1:3	
				FILE ON NAS: Z:\Work files\Wire basket		SHEET 1 OF 1	
						A3	