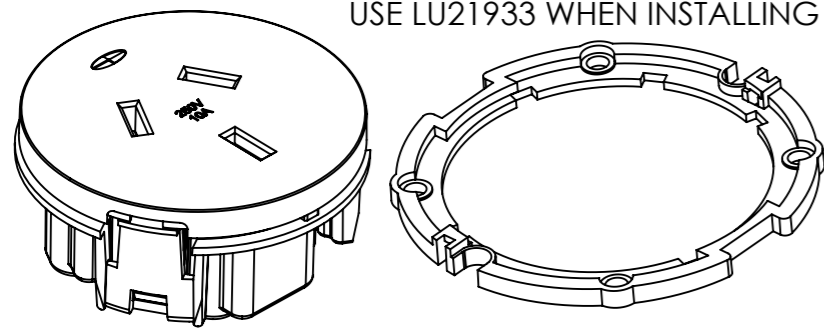
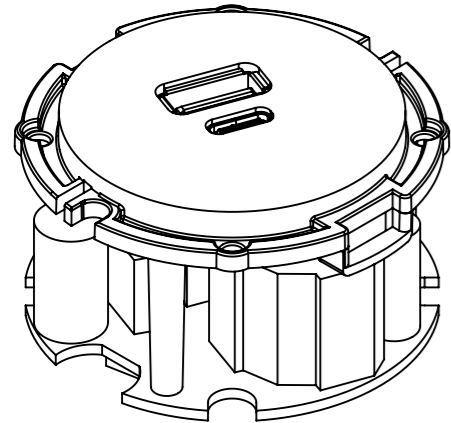


USE LU21933 WHEN INSTALLING GPO

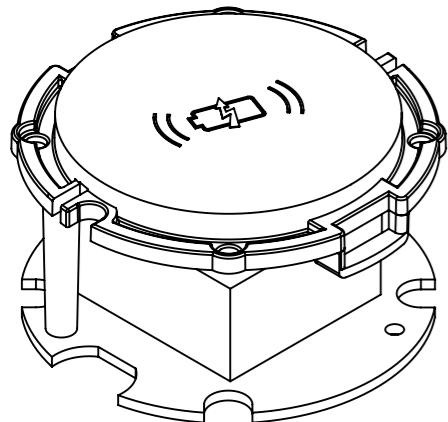
FACTORY ONLY INSERTABLE MODULES
REFER PAGE 2 FOR
MODULE CONFIGURATION



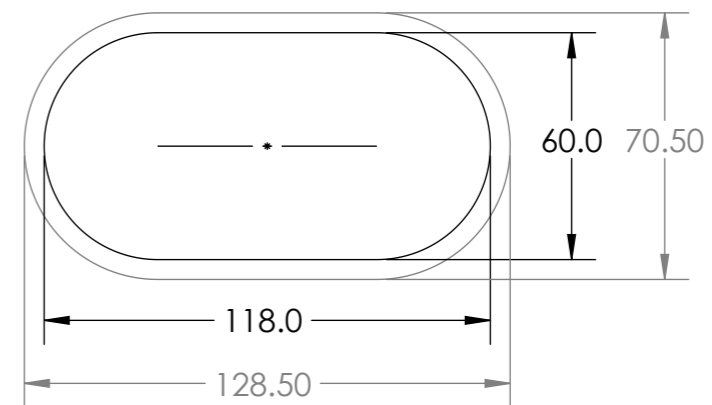
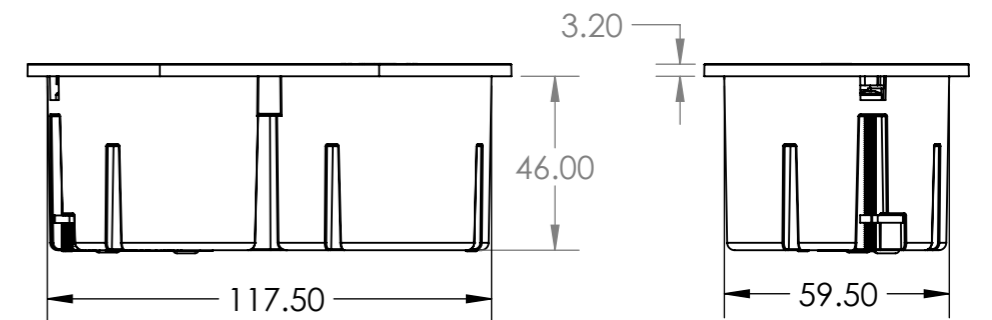
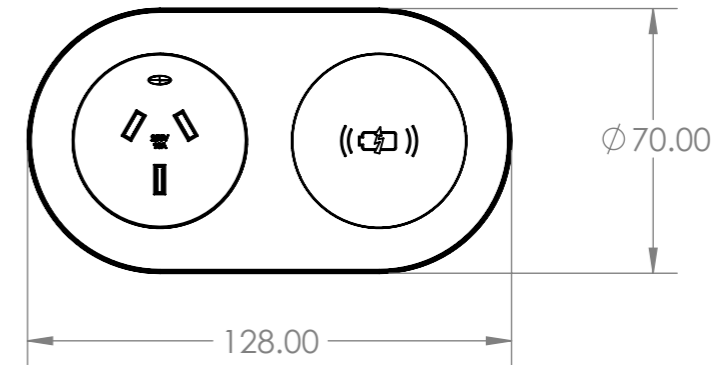
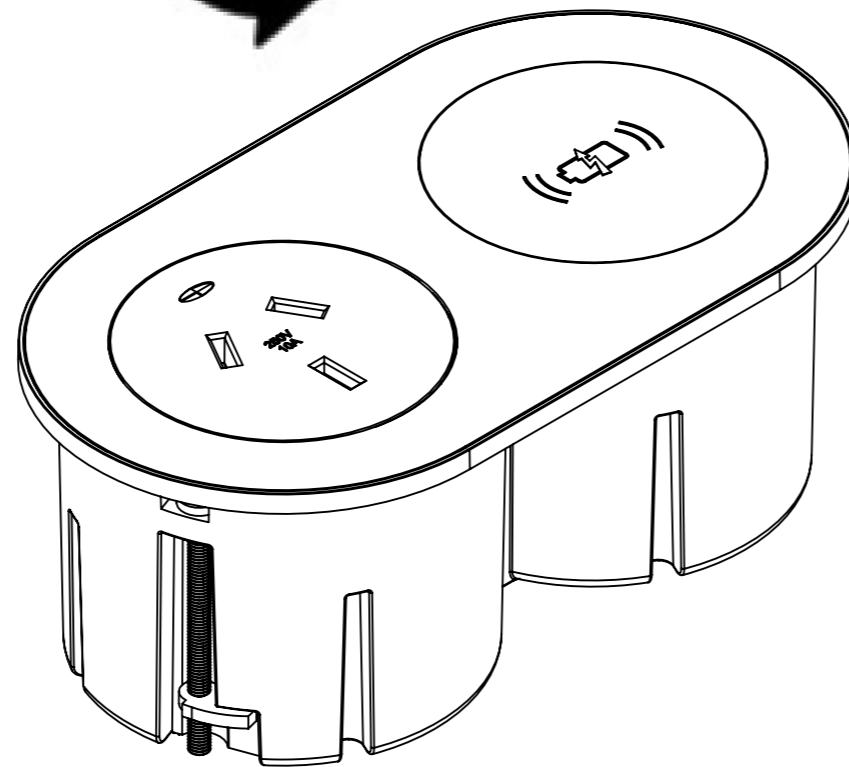
AU/NZ SOCKET OUTLET = AU



USB AC MODULE = U



WIRELESS CHARGING MODULE = W




ROUTING CUTOUT
118mm x 60mm
-0/+1mm

RECESS 3.2mm DEEP
128.5mm X 70.5mm
-0/+0.2mm
(RECESS ONLY IF
REQUIRED)

REV	DESCRIPTION	DATE	DRWN	APPV
2	CHANGED TOLERANCE FROM 2mm TO 1mm	3/05/2023	GC	AP
1	RELEASED FOR PRODUCTION	2/09/2019	AP	RG
REVISIONS				

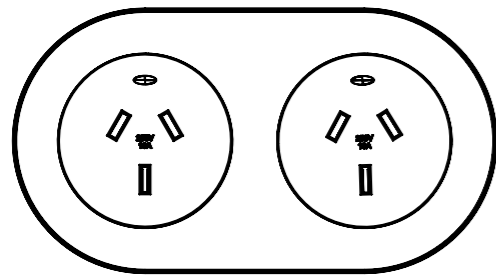
CUSTOMER SIGNATURE:	TOLERANCES UNLESS OTHERWISE STATED: X ±0.5 X.X ±0.2 X.XX ±0.1 X.XXX ±0.05 ANG ±0.5°	
MATERIAL:		PC-FR
FINISH:		TEXTURED
COLOUR:		WHITE OR BLACK / BRASS OR S.S
THIS DRAWING & ASSOCIATED CAD FILES ARE ISSUED IN THE STRICTEST CONFIDENCE AND ARE ONLY TO BE USED IN THE COMMERCIAL INTERESTS OF CMS ELECTRACOM PTY LTD		DRAWN IN mm TO AS1100 DO NOT SCALE


CMS Electracom COPYRIGHT © 2015

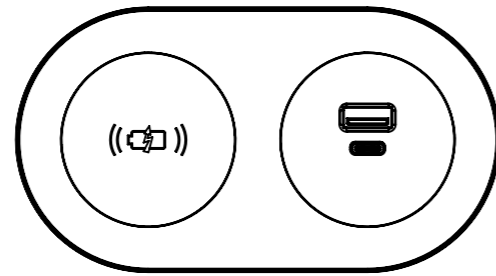
TITLE:
AU MULTI 2 ECHO INFILL COVER

DRAWING: LU41141 **REV:** 2 **A3**

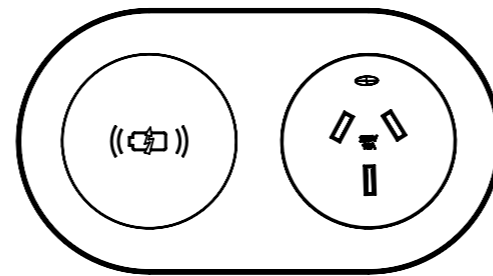
SCALE 1:2 SHEET 1 OF 4



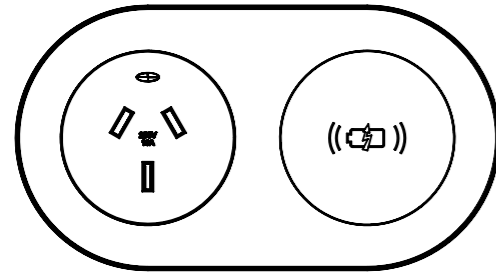
EDIA1A1XXXDXX



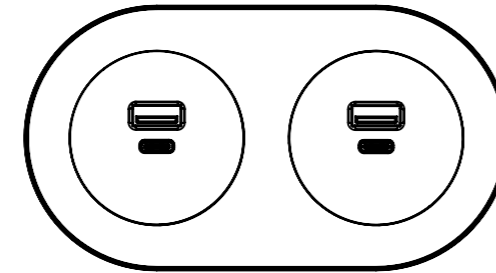
EDIWUXXXDXX



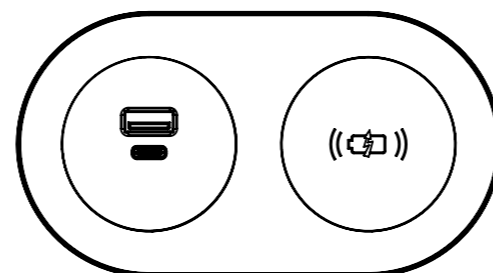
EDIWA1XXXDXX



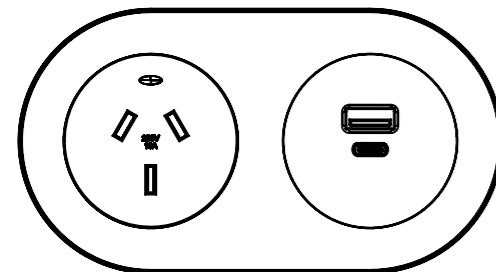
EDIA1WXXXDXX



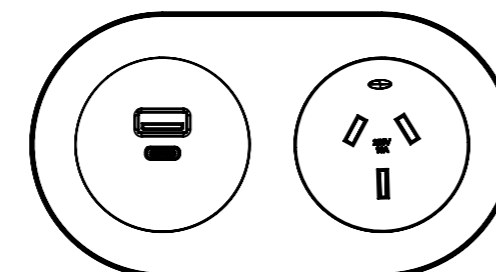
EDIUUXXXDXX



EDIUWXXXDXX

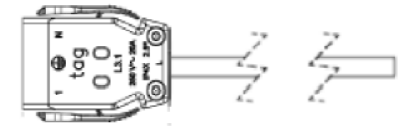


EDIA1UXXXDXX



EDIUA1XXXDXX

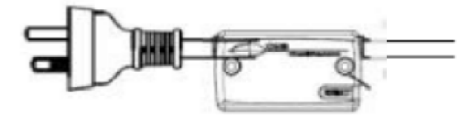
NOTE:



CABLE TYPE: 2.5MM
 DESCRIPTION: TAG CONNECTOR LEAD
 COLOUR: WHITE OR BLACK
 (REFER TO PURCHASE ORDER)
 LENGTH (mm):

xx	LENGTH (mm)
05	500
10	1000
15	1500
20	2000
25	2500
30	3000
35	3500
40	4000
45	4500
50	5000

NOTE:




CABLE TYPE: 1MM
 DESCRIPTION: AUSTRALIAN PLUG LEAD WITH THERMAL OVERLOAD
 COLOUR: WHITE OR BLACK
 (REFER TO PURCHASE ORDER)
 LENGTH (mm):

xx	LENGTH (mm)
05	500
10	1000
15	1500
20	2000
25	2500
30	3000
35	3500
40	4000
45	4500
50	5000

PART NUMBER: EDIA1A1XxxDXX

NOTE - X - LEAD TYPE (TAG = T OR 3PIN PLUG = A)
 xx - LENGTH - 05 / 10 / 15 / 20 / 25 / 30 / 35 / 40 / 45 / 50
 XX - COLOUR - WT / BK / WS / WB / BS / BB

CUSTOMER SIGNATURE:	TOLERANCES UNLESS OTHERWISE STATED: X ±0.5 X.X ±0.2 X.XX ±0.1 X.XXX ±0.05 ANG ±0.5°	 CMS Electracom <small>COPYRIGHT © 2015</small>	
MATERIAL:			
FINISH:		DRAWING:	REV:
COLOUR:		PC-FR TEXTURED WHITE OR BLACK / BRASS OR S.S.	LU41141 SCALE 1:2
THIS DRAWING & ASSOCIATED CAD FILES ARE ISSUED IN THE STRICTEST CONFIDENCE AND ARE ONLY TO BE USED IN THE COMMERCIAL INTERESTS OF CMS ELECTRACOM PTY LTD		DRAWN IN mm TO AS1100 DO NOT SCALE	A3