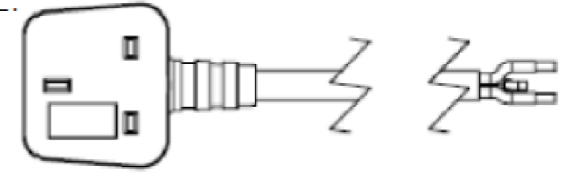


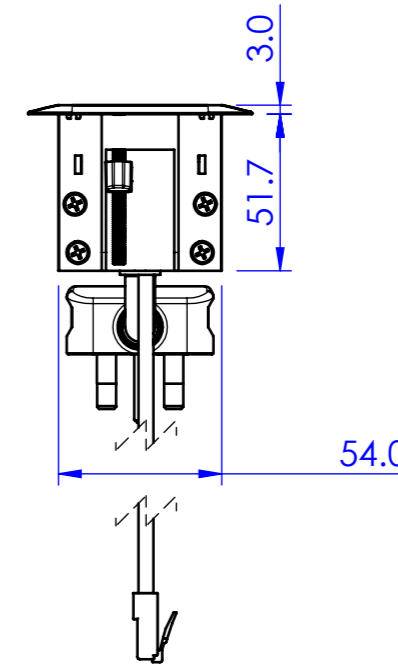
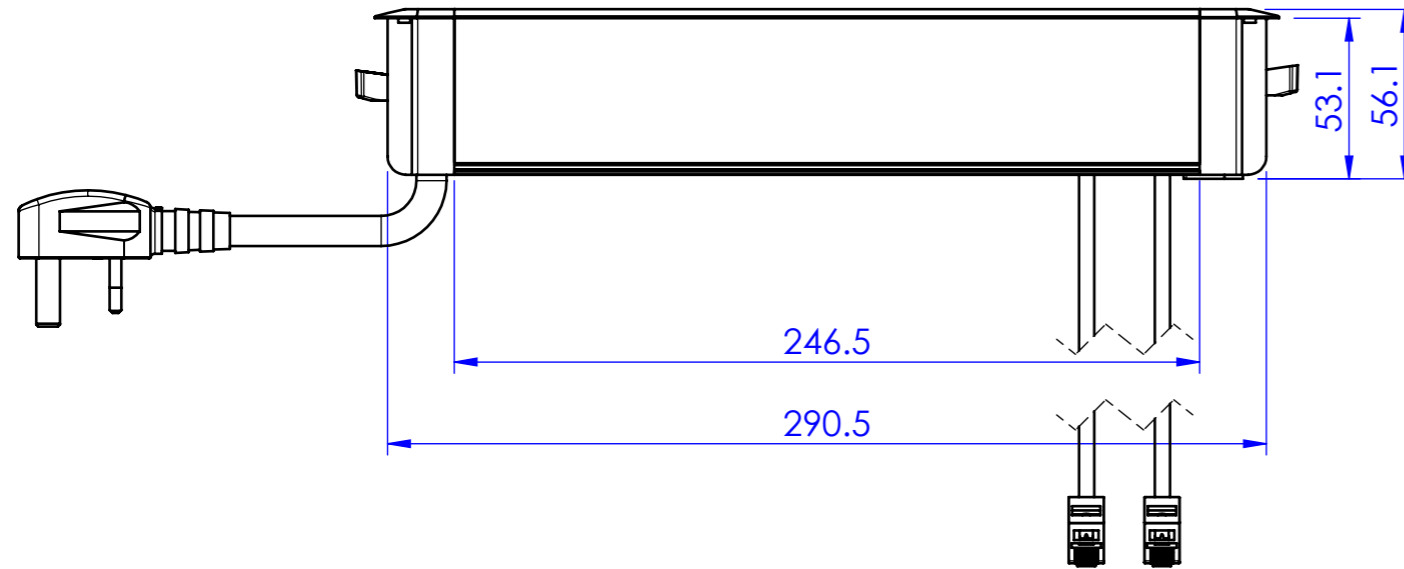
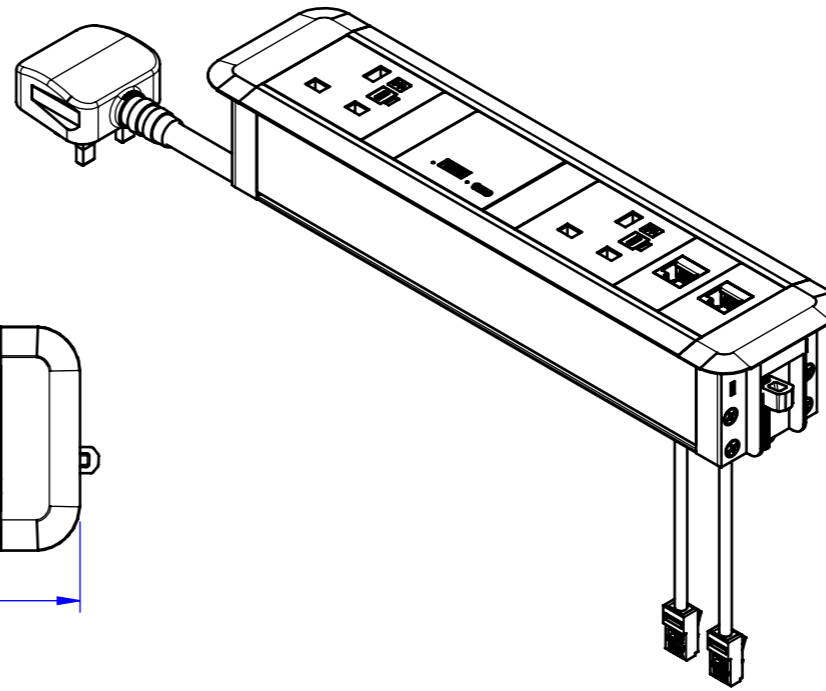
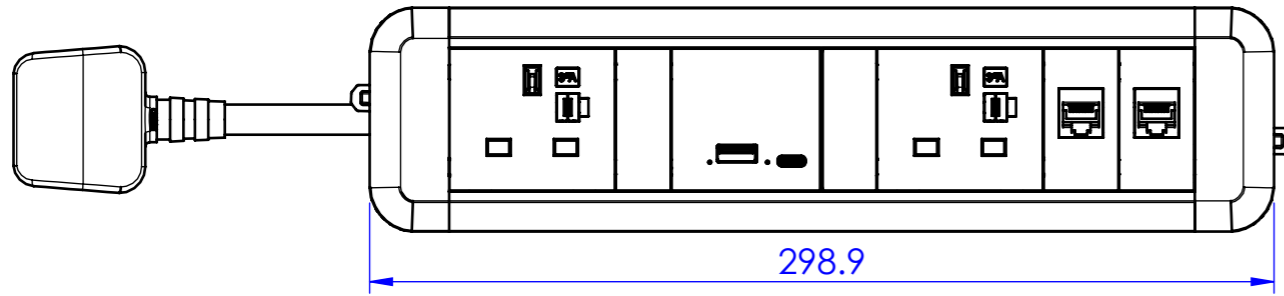
COLOUR VARIATIONS		
PART NUMBER	PLASTIC COMPONENTS	EXTRUSION
WT	WHITE	ANODISED SILVER
BK	BLACK	ANODISED SILVER
BK/BK	BLACK	POWDERCOATED BLACK MANNEX
WT/WT	WHITE	POWDERCOATED WHITE SATIN
WT/WM	WHITE	POWDERCOATED WHITE MANNEX

NOTE:



CABLE TYPE: 3 CORE x 1.5mm²
 DESCRIPTION: BRITISH 13A PLUG LEAD
 COLOUR: WHITE OR BLACK
 (REFER TO PURCHASE ORDER)
 LENGTH (mm):

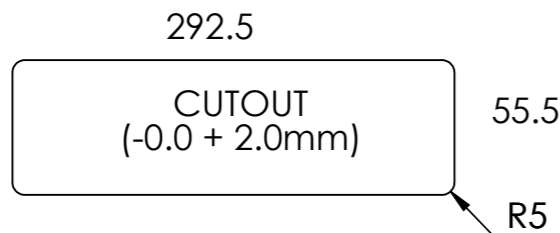
xx	LENGTH (mm)
05	500
10	1000
15	1500
20	2000
25	2500
30	3000
35	3500
40	4000
45	4500
50	5000



PART NUMBER: xxXX

NOTE - xx - LENGTH - 05 / 10 / 15 / 20 / 25 / 30 / 35 / 40 / 45 / 50
 XX - COLOUR - WT / BK / (BK/BK) / (WT/WT) / (WT/WM)

NOT FOR PRODUCTION



CUSTOMER SIGNATURE:	
MATERIAL:	PLASTIC / ALUMINIUM
FINISH:	FINE EDM / ANODISED (POWDERCOAT)
COLOUR:	REFER TABLE

TOLERANCES UNLESS OTHERWISE STATED:

X ±0.5
 X.X ±0.2
 X.XX ±0.1
 X.XXX ±0.05
 ANG ±0.5°



TITLE:
 CENTRA WITH 2 UK GPO + 1 NK18UAC3FL + 2 DATA

DRAWING: LU36887	REV: 1	A3
SCALE 1:3	SHEET 1 OF 3	

1	RELEASED FOR QUOTATION - NOT FOR PRODUCTION	17/9/2020	JB	RG
REV	DESCRIPTION	DATE	DRWN	APPV
REVISIONS				

THIS DRAWING & ASSOCIATED CAD FILES ARE ISSUED IN THE STRICTEST CONFIDENCE AND ARE ONLY TO BE USED IN THE COMMERCIAL INTERESTS OF CMS ELECTRACOM PTY LTD

DRAWN IN mm TO AS1100 DO NOT SCALE