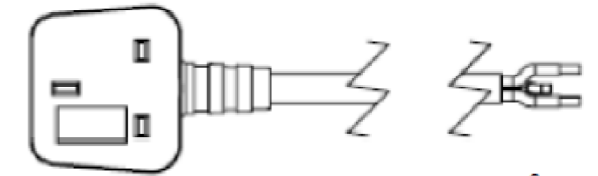


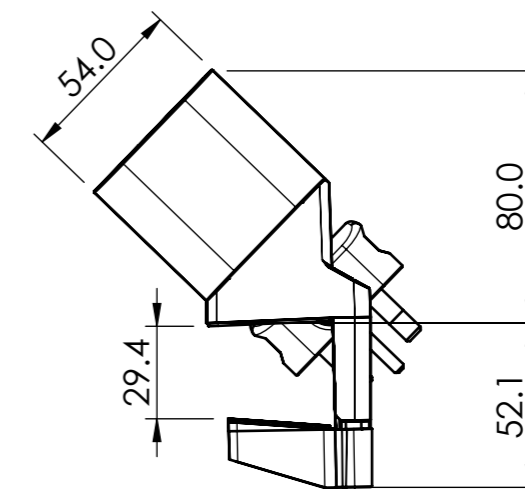
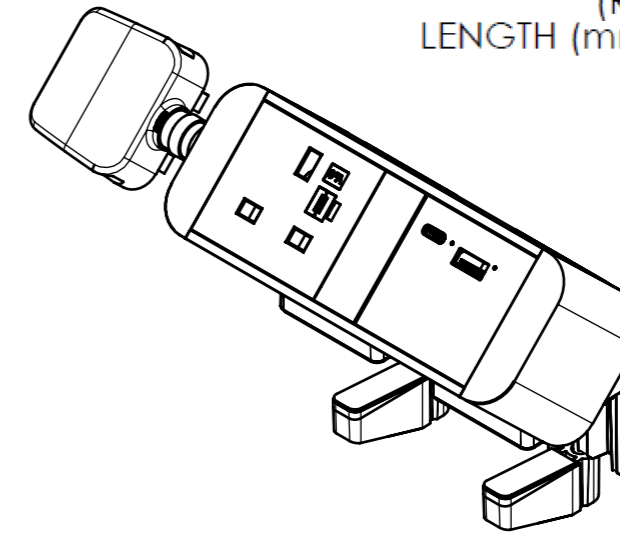
NOTE:



CABLE TYPE: 3 CORE x 1.5mm<sup>2</sup>  
 DESCRIPTION: BS13A PLUG/LEAD  
 COLOUR: WHITE OR BLACK  
 (REFER TO PURCHASE ORDER)


LENGTH (mm):

xx	LENGTH (mm)
10	1000
20	2000
30	3000
40	4000
50	5000



**PART NUMBER: UZ2Q1UAC320/2\*\***

REV	DESCRIPTION	DATE	DRWN	APPV
2	LEAD NOTE UPDATED	30/11/2020	JB	RG
1	RELEASED FOR PRODUCTION	27/11/2020	JB	RG
REVISIONS				

<b>CUSTOMER SIGNATURE:</b>	<b>TOLERANCES UNLESS OTHERWISE STATED:</b>  X ±0.5 X.X ±0.2 X.XX ±0.1 X.XXX ±0.05 ANG ±0.5°	 <b>CMS Electracom</b> <small>COPYRIGHT © 2015</small>		
<b>MATERIAL:</b> PLASTIC / ALUMINIUM				<b>TITLE:</b>  ZEUS 2 WITH 1 GPO + NK18UAC3FL
<b>FINISH:</b> FINE EDM / ANODISED (POWDER COAT)		<b>DRAWING:</b> LU37368	<b>REV:</b> 2	
<b>COLOUR:</b> REFER TABLE		SCALE 1:3	SHEET 1 OF 2	

THIS DRAWING & ASSOCIATED CAD FILES ARE ISSUED IN THE STRICTEST CONFIDENCE AND ARE ONLY TO BE USED IN THE COMMERCIAL INTERESTS OF CMS ELECTRACOM PTY LTD

DRAWN IN mm TO AS1100 DO NOT SCALE

