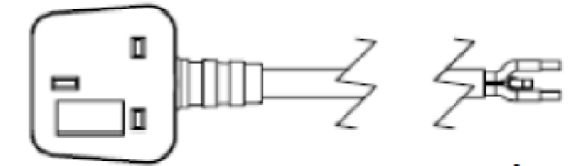


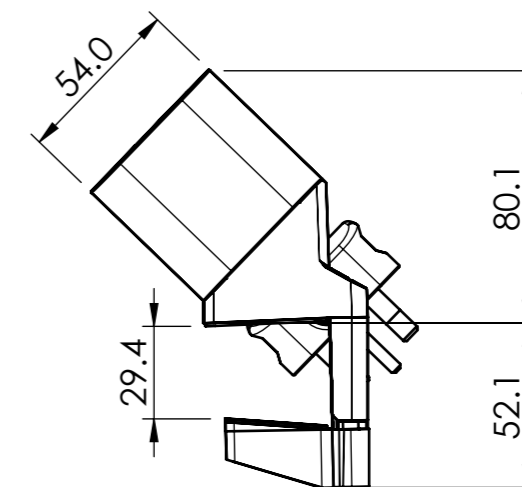
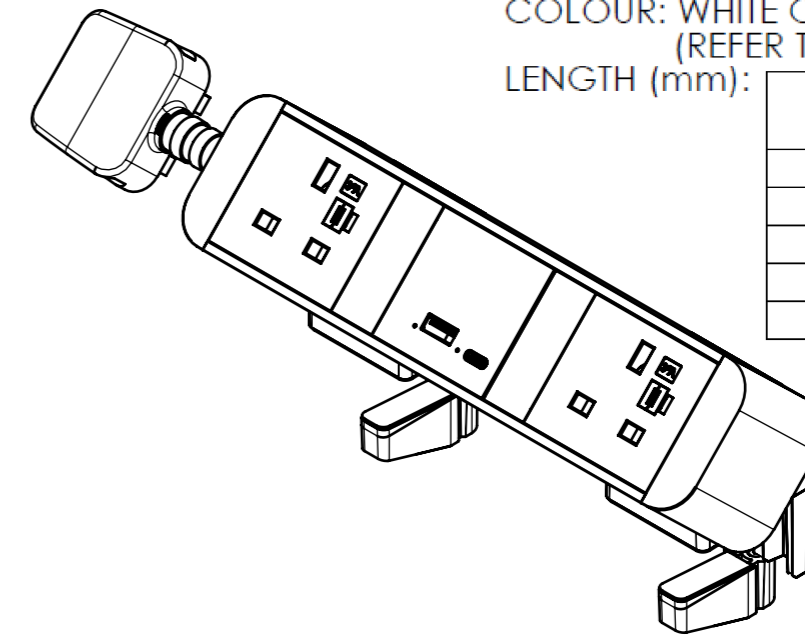
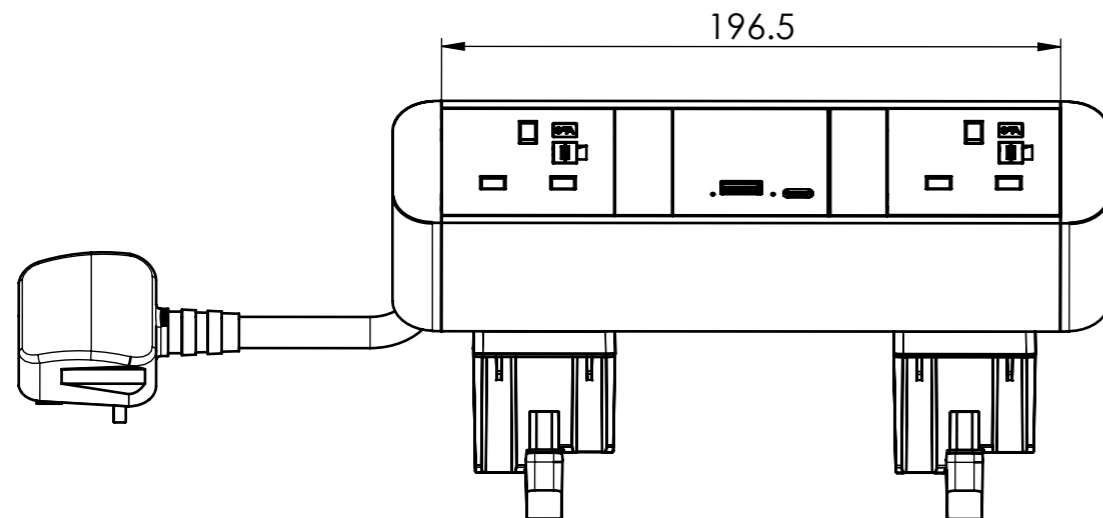
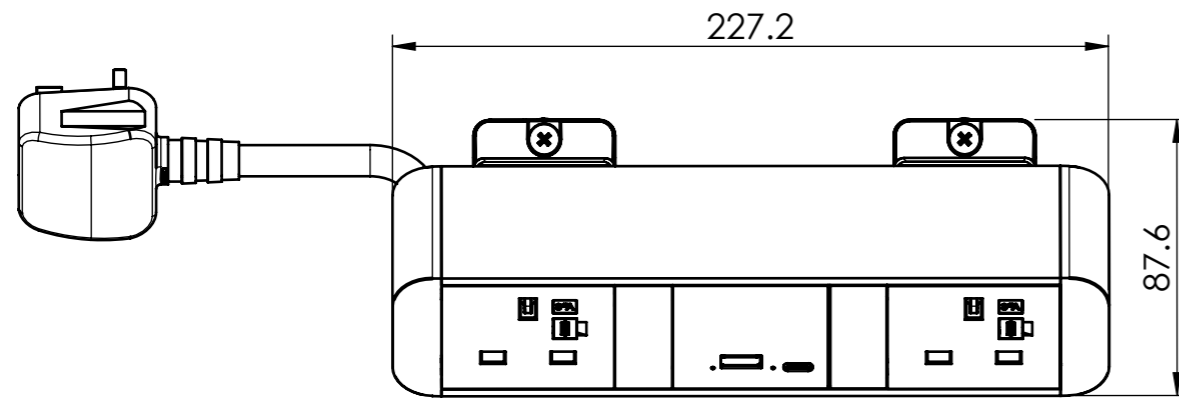
NOTE:



CABLE TYPE: 3 CORE x 1.5mm²
 DESCRIPTION: BS13A PLUG/LEAD
 COLOUR: WHITE OR BLACK
 (REFER TO PURCHASE ORDER)


LENGTH (mm):

xx	LENGTH (mm)
10	1000
20	2000
30	3000
40	4000
50	5000



PART NUMBER: UZ2Q2UAC320/2**

REV	DESCRIPTION	DATE	DRWN	APPV
2	LEAD NOTE UPDATED	30/11/2020	JB	RG
1	RELEASED FOR PRODUCTION	27/11/2020	JB	RG
REVISIONS				

CUSTOMER SIGNATURE:	TOLERANCES UNLESS OTHERWISE STATED: X ±0.5 X.X ±0.2 X.XX ±0.1 X.XXX ±0.05 ANG ±0.5°	 CMS Electracom <small>COPYRIGHT © 2015</small>		
MATERIAL: PLASTIC / ALUMINIUM				TITLE: ZEUS 2 WITH 2 GPO + NK18UAC3FL
FINISH: FINE EDM / ANODISED (POWDER COAT)		DRAWING: LU37371	REV: 2	
COLOUR: REFER TABLE		SCALE 1:3	SHEET 1 OF 2	

THIS DRAWING & ASSOCIATED CAD FILES ARE ISSUED IN THE STRICTEST CONFIDENCE AND ARE ONLY TO BE USED IN THE COMMERCIAL INTERESTS OF CMS ELECTRACOM PTY LTD

DRAWN IN mm TO AS1100 DO NOT SCALE