

BLINKY

In Table, Power Data & AV





UBL310GBK shown above with USB charging option 30W output A + C

BLINKY

In Table, Power Data & AV

With a stylish minimal profile Blinky sits near flush with the work surface and optimise the available space, without cluttering or needing to flip 360 Deg.

Access is provided to 3 no. power outlets 3 no. 30w A + C PD USB charging ports are also available in addition, without compromising the number of power outlets.

Features & Benefits

- » 3 no. 30w A + C PD USB charging option.
- » Shallow above 6mm profile.
- » Simple frontal installation via integral cams.
- » Aperture required is a standard industry 135mm hole saw.
- » BS13A or GST connectivity.
- » Optional in-line RCD protection.
- » Standard colours of Black or White

Configuration Examples



Refer to our Standard Configurations section to see multiple further options.

Finishes Available

 White (WT **)

 Black (BK **)

Standard Configurations

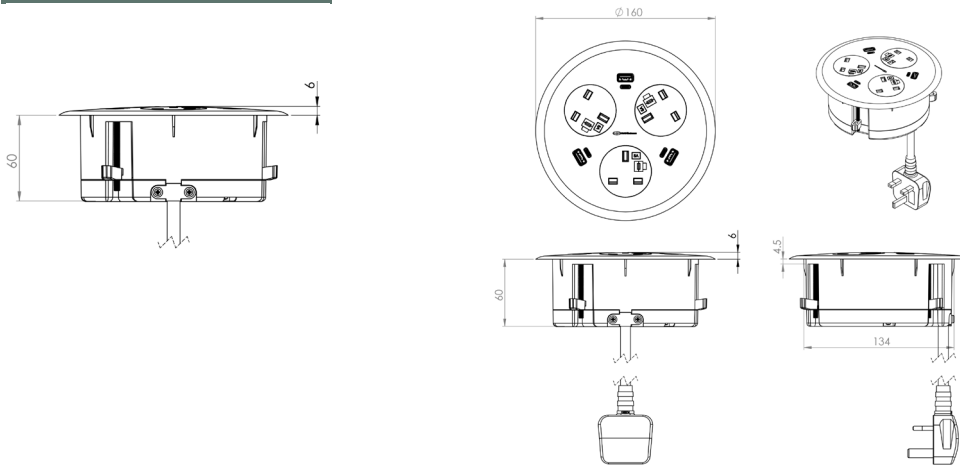
| | |
|----------------------|---|
| UBL3UAC320** | Blinky 3 Power - 3.15A. 3 Dual USB chargers 30W shared – A + C PD. 2m Starter lead - BS13A. |
| UBL3UAC310G** | Blinky 3 Power - 3.15A. 3 Dual USB chargers 30W shared – A + C PD. 1m Starter lead - GST. |
| UBL320** | Blinky 3 Power - 3.15A. 2m Starter lead - BS13A. |
| UBL310G** | Blinky 3 Power - 3.15A. 1m Starter lead - GST. |

Notes:

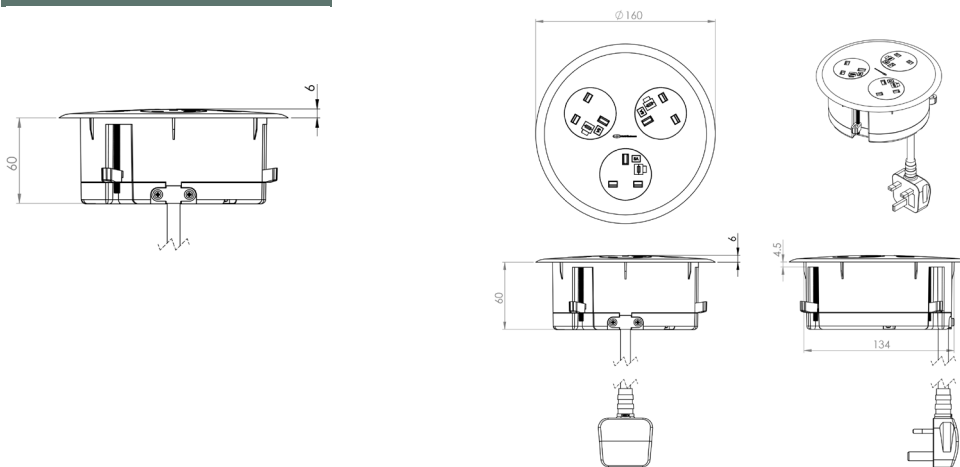
- » Alternative lead lengths available on request.
- » An example cut out is available on the following page.

Product Drawings - Examples

UBL3UAC320**

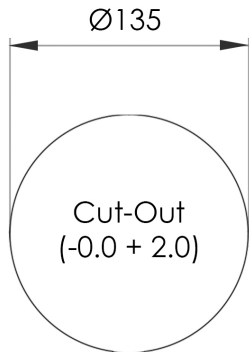


UBL320**



Cut Out - Example

Blinky
Reference Only



Holesaw Cutout - Ø135mm (Tolerance -0/+2mm)

Product Specifications

USB 30 Watt A + C

| | |
|---|--|
| Input | 100-240V AC; 50/60Hz, 0.8A |
| Maximum power | 30W |
| USB outlets | 1 x Type-C PD3.0 fast charge 1 x Type-A standard fast charge |
| Operating temperature range | 0-40C |
| Compliance | IEC 62368-1, EN 62368-1 CISPR32:2015, EN55032, EN55035, EN IEC 61000 3-2; 3-3 |
| USB-C PD Specification | |
| Max standard output with no connected devices in port 1 | 20V/1.5A; 15V/2A; 9V/3A |
| Max output with Type-A port engaged | 20V/0.75A; 15V/1A; 9V/1.5A |
| Protocols supported | Power Delivery (PD) 3.0, QC 3.0 |
| USB-A Specification | |
| Max standard output with no connected devices in port 2 | 5V/2.1A |
| Max output with Type-C port engaged | 5V/1A |
| Protocols supported | Fixed Voltage Fast Charge |