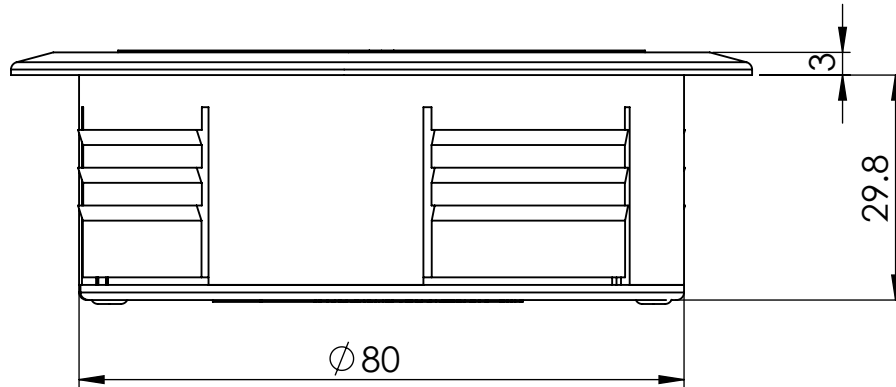
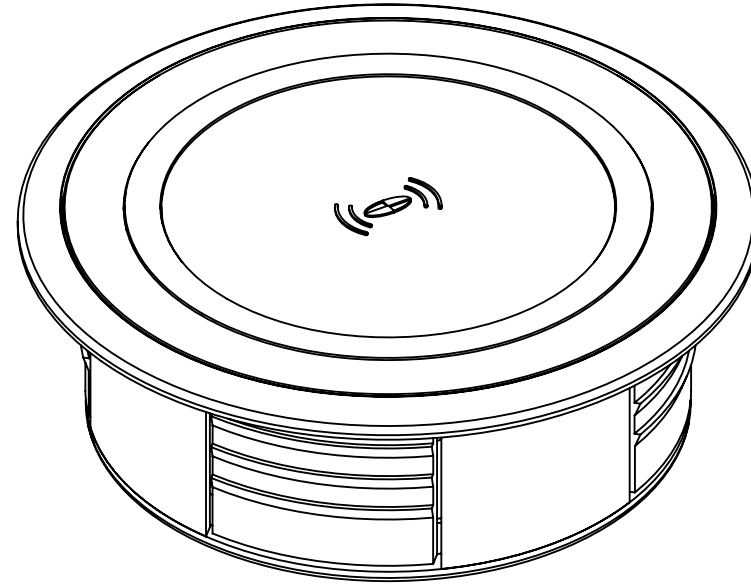



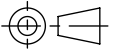
Ø 98



3

29.8

Ø 80

SCALE 1:1	SHEET 1 OF 1	MATERIAL: P.C	 CMS Electracom COPYRIGHT © 2015	TITLE: QU003 WIRELESS CHARGER	
DIM. IN mm TO AS1100 DO NOT SCALE		FINISH: HIGH POLISH/CHROME PLATED		TOLERANCES X ±0.5 UNLESS X.X ±0.2 NOTED X.XX ±0.1 OTHERWISE: X.XXX ±0.05 ANG ±0.5°	DRAWING: LU7508
THIS DRAWING & ASSOCIATED CAD FILES ARE ISSUED IN THE STRICTEST CONFIDENCE AND ARE ONLY TO BE USED FOR COMMERCIAL INTERESTS OF CMS ELECTRACOM PTY LTD		COLOUR: WHITE/CHROME AND BLACK/CHROME			A4