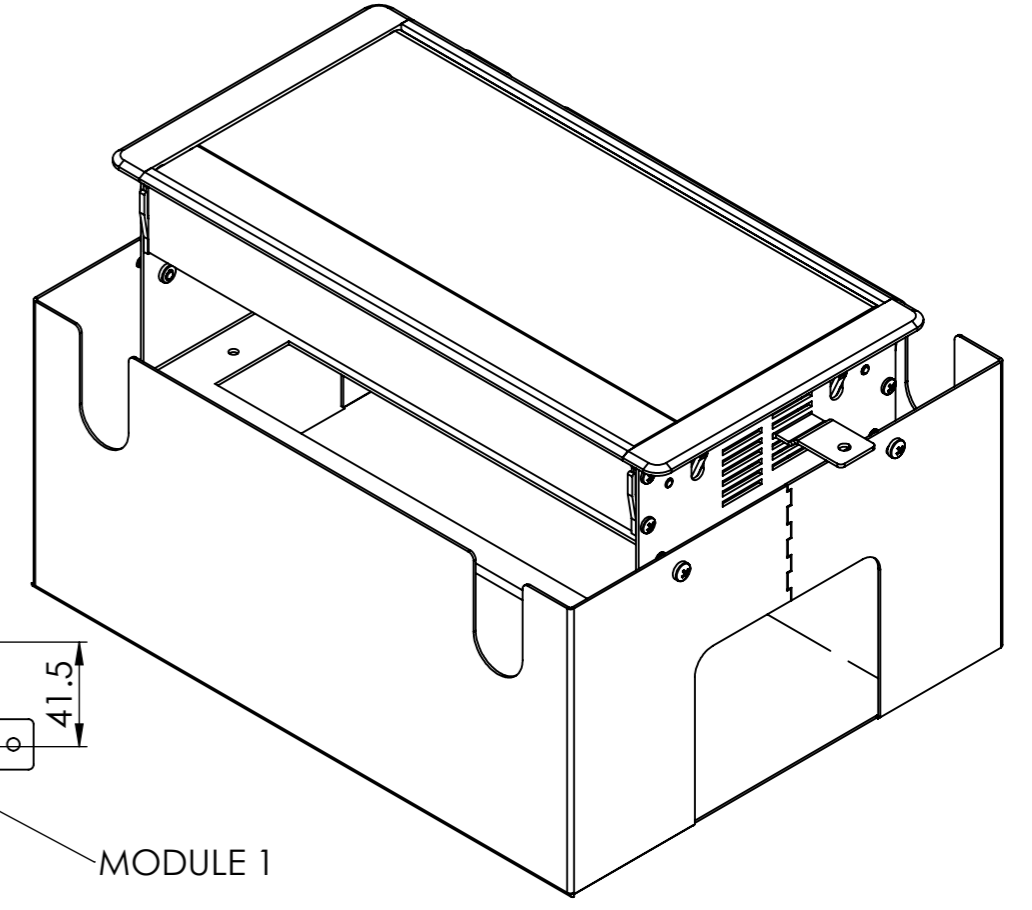
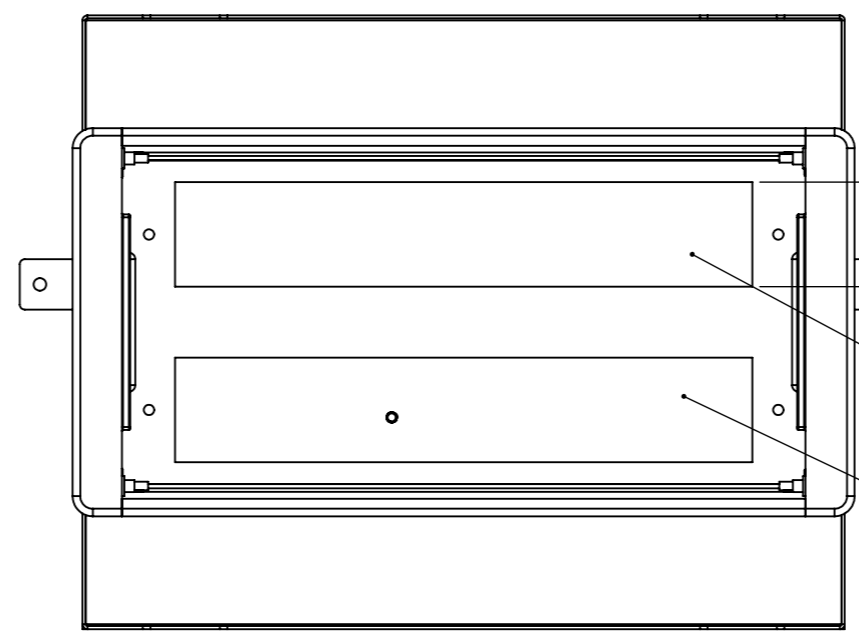
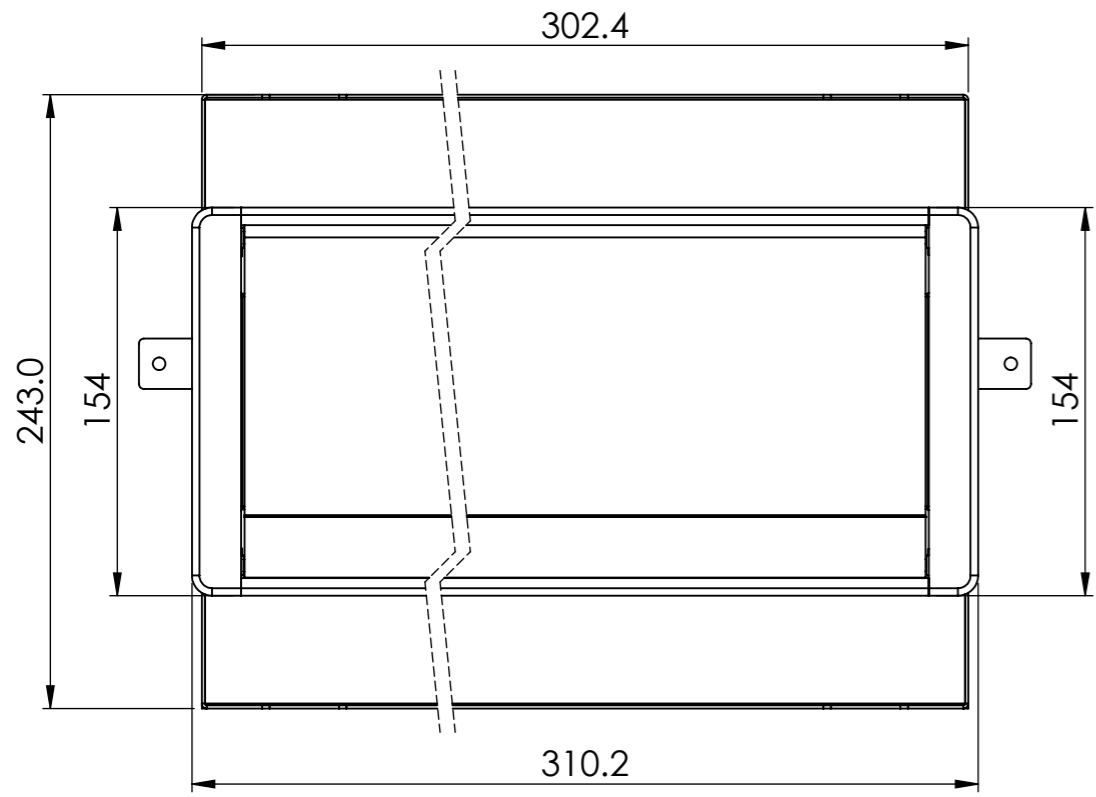
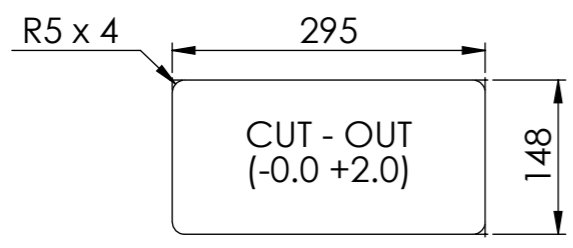


COLOUR VARIATIONS		
PART NUMBER	PLASTIC COMPONENTS	EXTRUSION
WT	WHITE	ANODISED SILVER
BK	BLACK	ANODISED SILVER
BK/BK	BLACK	POWDERCOATED BLACK MANNEX
WT/WT	WHITE	POWDERCOATED WHITE SATIN
WT/WM	WHITE	POWDERCOATED WHITE MANNEX



INTERNAL VIEW - MINUS THE SINGLE LID



PART NUMBER: ACSUE2

MATERIAL: POLYCARBONATE / ALUMINIUM / MILD STEEL	TOLERANCES UNLESS OTHERWISE STATED: X ±0.5 X.X ±0.2 X.XX ±0.1 X.XXX ±0.05 ANG ±0.5°
FINISH: TEXTURED / ANODISED / POWDERCOAT	
COLOUR: REFER TABLE	
THIS DRAWING & ASSOCIATED CAD FILES ARE ISSUED IN THE STRICTEST CONFIDENCE AND ARE ONLY TO BE USED IN THE COMMERCIAL INTERESTS OF CMS ELECTRACOM PTY LTD	
DRAWN IN mm TO AS1100 DO NOT SCALE	



TITLE: ACSUE2 SERIES
ACCEDE INDESK MODULE SINGLE LID
UNDERCARRIAGE + ENCLOSURE

1	RELEASED FOR SALES	30/04/2020	KV	RG
REV	DESCRIPTION	DATE	DRWN	APPV
REVISIONS				

DRAWING: LU35457	REV: 1	A3
SCALE 1:3	SHEET 1 OF 1	