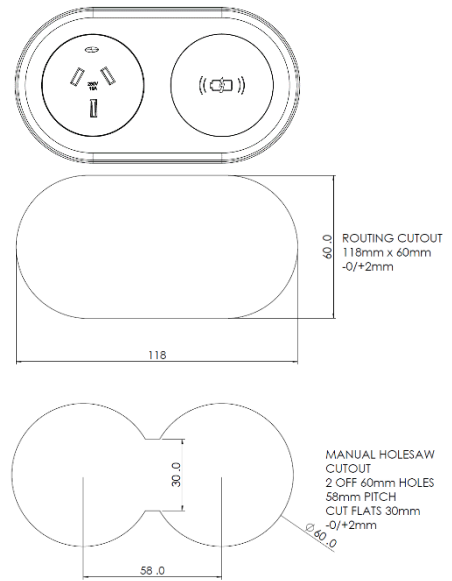


ECHO DUO POWER UNIT

Installation Instructions

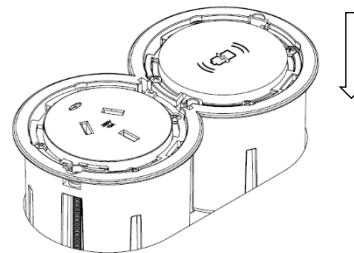
STEP 1 - CUT OUT

Determine desired orientation of product and cut hole into desktop or joinery. REFER TO DRAWING.



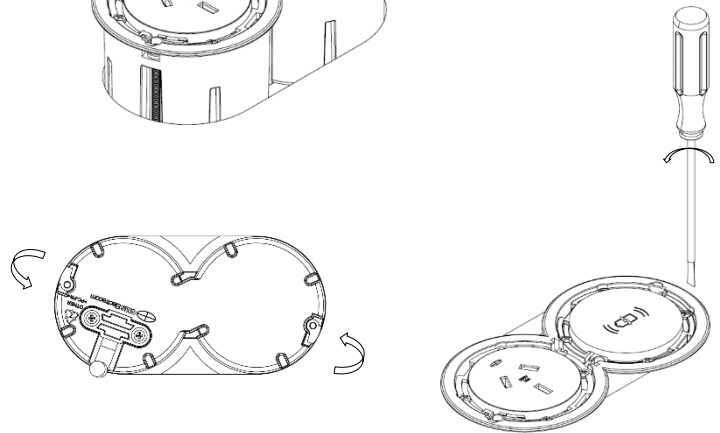
STEP 2 - INSERT HOUSING WITH GPO

Fold clamps into provision within housing. Align housing in the cut out and insert housing into desk.



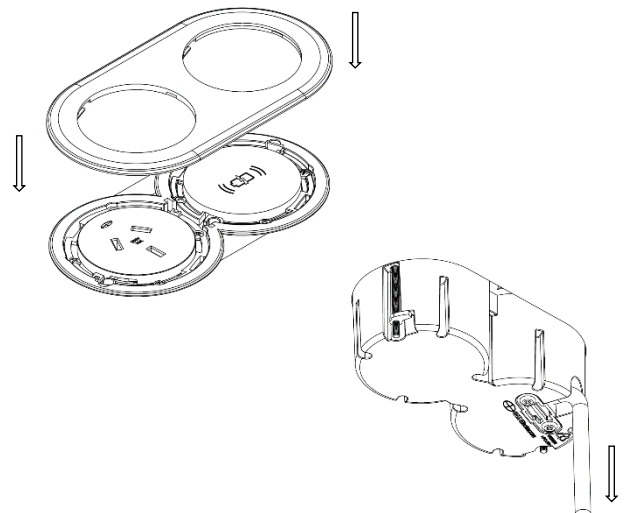
STEP 3 - TIGHTEN SCREWS

Screw through the plastic housing and clamps so that they rotate out of the housing. Tighten screws until the assembly clamps down and is secure. The clamps will grip into underside of desk. DO NOT OVER TIGHTEN - TIGHTEN BY HAND ONLY.



STEP 4 - CLIP ON COVER

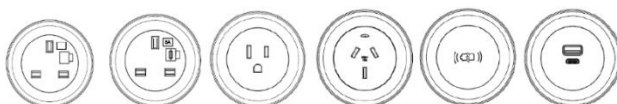
Align guide and clips on the underside of the cover with provisions in housing. Secure the top cover and push down above where the clips are positioned.



STEP 5 - POWER DEVICE

Plug unit into power source,

Available Power Outlets



AUSTRALIA

NEW ZEALAND

ASIA-PACIFIC

UNITED KINGDOM