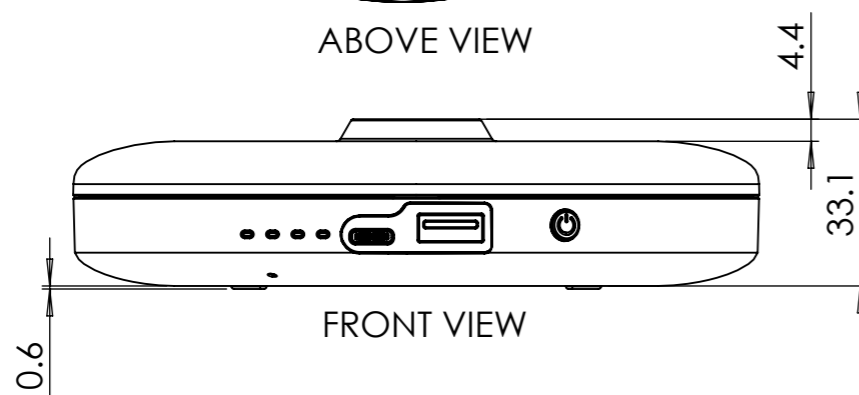
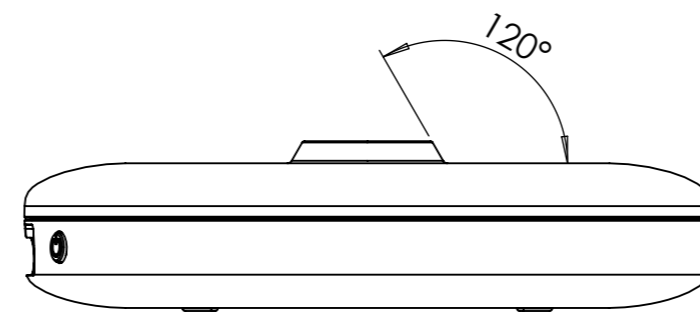


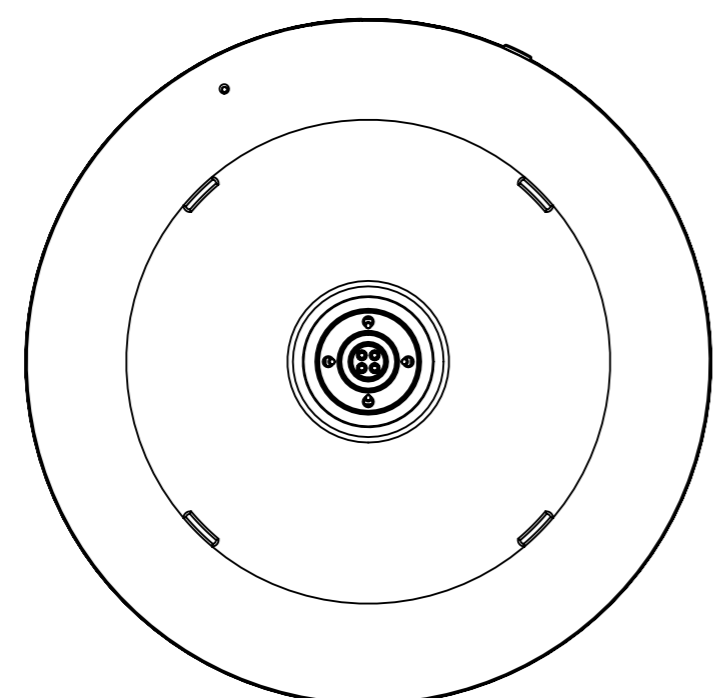
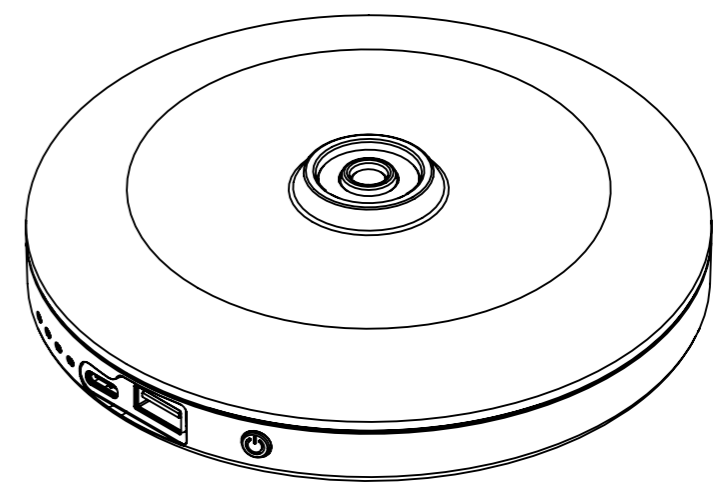
ABOVE VIEW



FRONT VIEW




SIDE VIEW

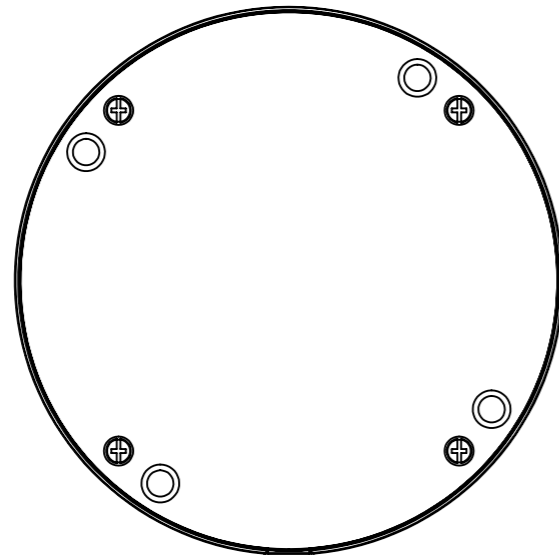
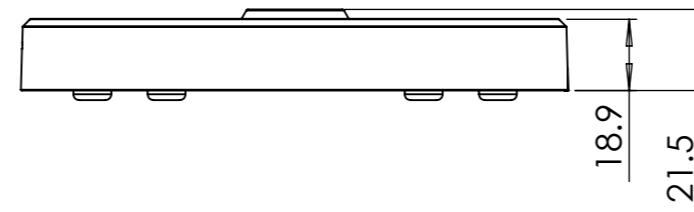
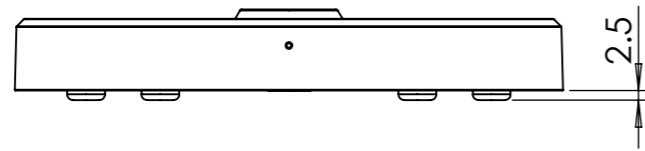
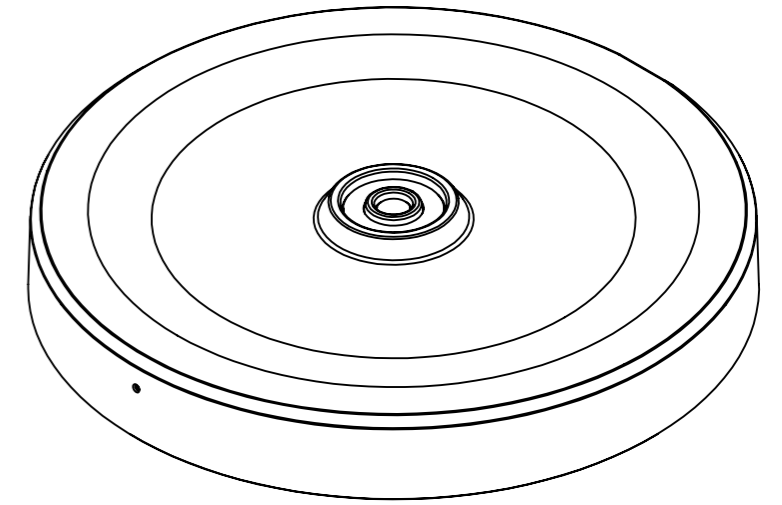
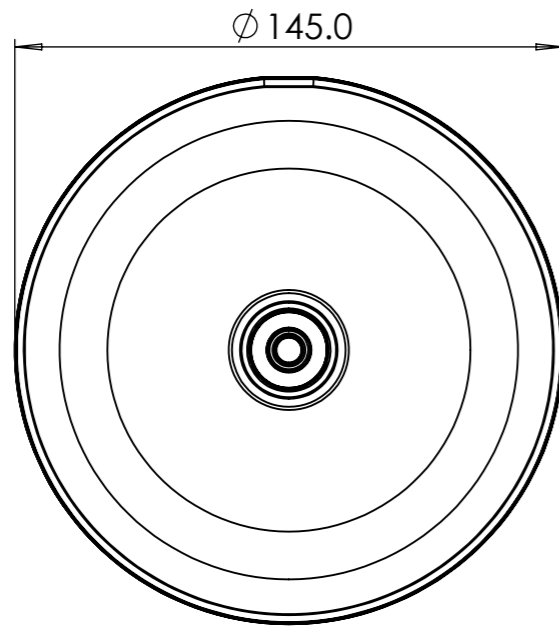


UNDER VIEW

PART NUMBER:FR001XX
NOTE - XX - COLOUR - WHITE OR BLACK

CUSTOMER SIGNATURE:		TOLERANCES UNLESS OTHERWISE STATED: X ±0.5 X.X ±0.2 X.XX ±0.1 X.XXX ±0.05 ANG ±0.5°	 CMS Electracom <small>COPYRIGHT © 2020</small>	
MATERIAL:			TITLE: FR001	
FINISH:			DRAWING: LU37358	
COLOUR:			REV: 2	
THIS DRAWING & ASSOCIATED CAD FILES ARE ISSUED IN THE STRICTEST CONFIDENCE AND ARE ONLY TO BE USED IN THE COMMERCIAL INTERESTS OF CMS ELECTRACOM PTY LTD		DRAWN IN mm TO AS1100 DO NOT SCALE	SCALE 1:2	
REVISIONS		SHEET 1 OF 2		A3

REV	DESCRIPTION	DATE	DRWN	APPV
2	BOM UPDATED	27/11/2020	JB	RG
1	RELEASED FOR PRODUCTION	26/11/2020	JB	RG



PART NUMBER: FR002xxXX
 NOTE - XX - COLOUR - WHITE OR BLACK
 xx - LEAD TYPE - REFER TO PURCHASE ORDER

REV	DESCRIPTION	DATE	DRWN	APPV
3	ITEM 5 IN BOM (6G x 3/8" CSK self Tapping Screw) COLOUR UPDATED	1/12/2020	JB	RG
2	BOM UPDATED	27/11/2020	JB	RG
1	RELEASED FOR PRODCUTION	26/11/2020	JB	RG
REVISIONS				

CUSTOMER SIGNATURE:	TOLERANCES UNLESS OTHERWISE STATED:
MATERIAL: PC-FR	X ±0.5 X.X ±0.2 X.XX ±0.1 X.XXX ±0.05 ANG ±0.5°
FINISH: TEXTURED / POLISHED	
COLOUR: WHITE / BLACK	
THIS DRAWING & ASSOCIATED CAD FILES ARE ISSUED IN THE STRICTEST CONFIDENCE AND ARE ONLY TO BE USED IN THE COMMERCIAL INTERESTS OF CMS ELECTRACOM PTY LTD	

DRAWN IN mm TO AS1100 DO NOT SCALE



TITLE: FR002		
DRAWING: LU37359	REV: 3	A3
SCALE 1:2	SHEET 1 OF 2	