

100W USB A + C PD CHARGING Charging Technology





Above desk mounted Node with under desk mounted 100W USB A + C PD power supply.

100W USB A + C PD CHARGING

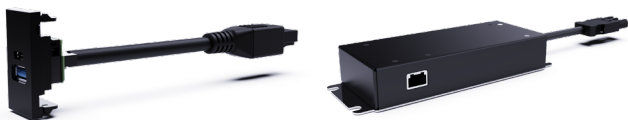
Charging Technology

CMS Electracom's is the first modular charging solution for enterprise, delivering an optimised 100w charging output to commercial laptops and other devices.

The remote power supply reduces the dimensions of conventional desk top modules and also enables presentation in new forms. All minimise the visible footprint on the workstations, but also meeting rooms tables, agile workspaces, etc.

Features & Benefits

- » Powers and or charges 15'6 lap tops and other devices with USB C input.
- » Additional USB A output to charge phones, tablets, etc.
- » Presentable in multiple formats for above desk, below desk, in desk, soft seating, etc.
- » In line design enables power supply to be located remotely i.e. cable trays/basket, direct to under worksurface, void's, etc.
- » Integral overload shut down and reboot function.



SW18BUAC9BK



SW18BUAC9WT

SWBUAC9BK/WT provides both the 100W A + C PD power supply & the Distribution Block.

Finishes Available

 White (WT **)

 Black (BK **)

Note: Chosen Finish is for the Facia only.



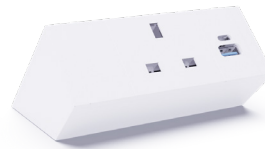
Below desk mounted Node with under desk mounted 100W USB A + C PD charger.



UNUAC918** - To suit an 18mm top
UNUAC925** - To suit a 25mm top



UNUAC9**



UA2Q1UAC910G/****



UZ2Q1UAC910G/1****



UCQ1UAC910G/****



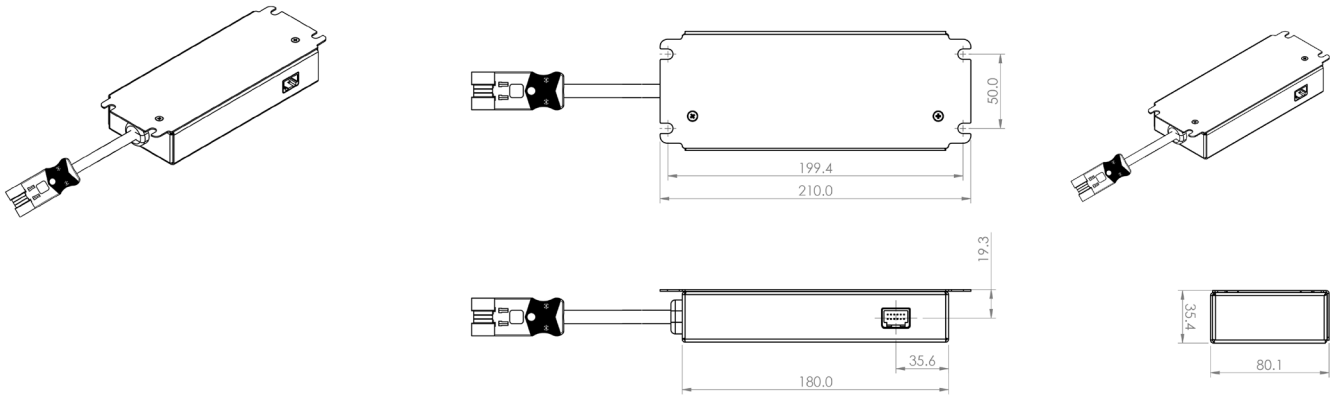
ECUAC9**

Standard Configurations

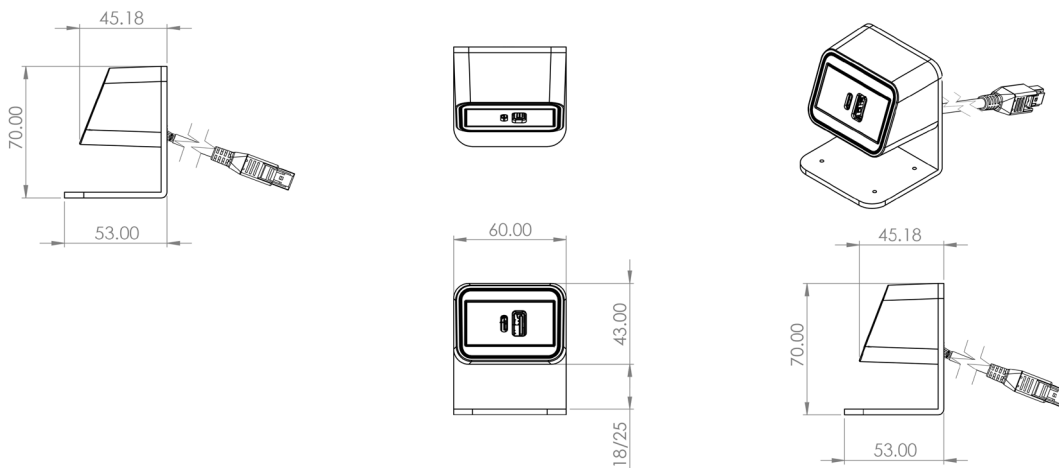
UNUAC918**	Qubit – Above desk. Dual USB charger 100W – A + C. 1m Starter lead - GST. Desk clamp to suit 18mm top thickness.
UNUAC925**	Qubit – Above desk. Dual USB charger 100W – A + C. 1m Starter lead - GST. Desk clamp to suit 25mm top thickness.
UNUAC9**	Qubit – Below desk. Dual USB charger 100W – A + C. 1m Starter lead - GST. Underdesk mounting bracket.
UA2Q1UAC9**/1**	Athena 2 Rail. 1 Power - 3.15A. Dual USB charger 100W – A + C. 1m Starter leads- GST. Splitter/double adapter. 0.5m Interlink – GST. Desk clamp.
UZ2Q1UAC910G**/1**	Zeus 2 Rail. 1 Power - 3.15A. Dual USB charger 100W – A + C. 1m Starter leads - GST. Splitter/double adapter. 0.5m Interlink – GST. Desk clamp
UCQ1UAC910G**/1**	Centra Rail. 1 Power - 3.15A. Dual USB charger 100W – A + C. 1m Starter lead - GST. Splitter/double adapter. 0.5m Interlink – GST
ECUAC9**	Echo. Dual USB charger 100W – A + C. 1m Starter lead – GST.

Product Drawings - Examples

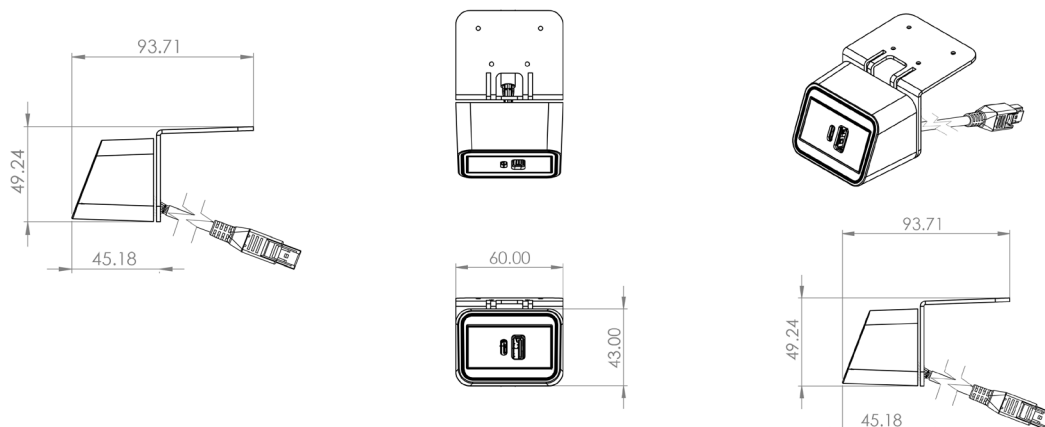
SW18BUAC9**



Qubit - UNUAC918**/UNUAC925**

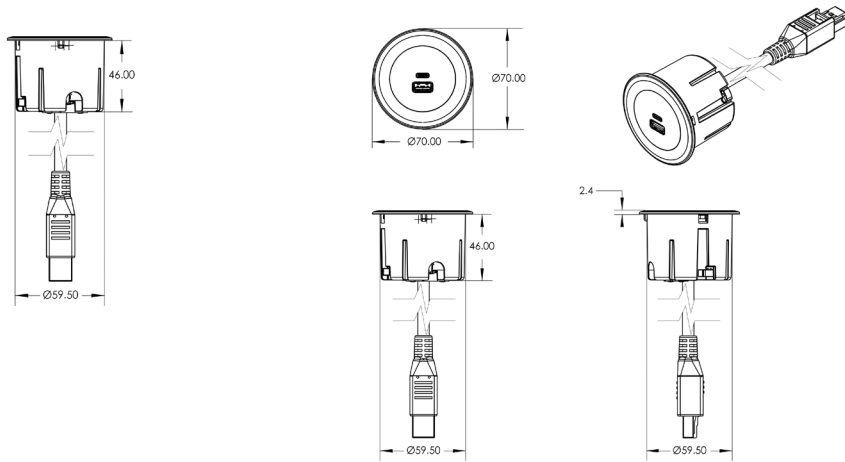


Qubit - UNUAC9**

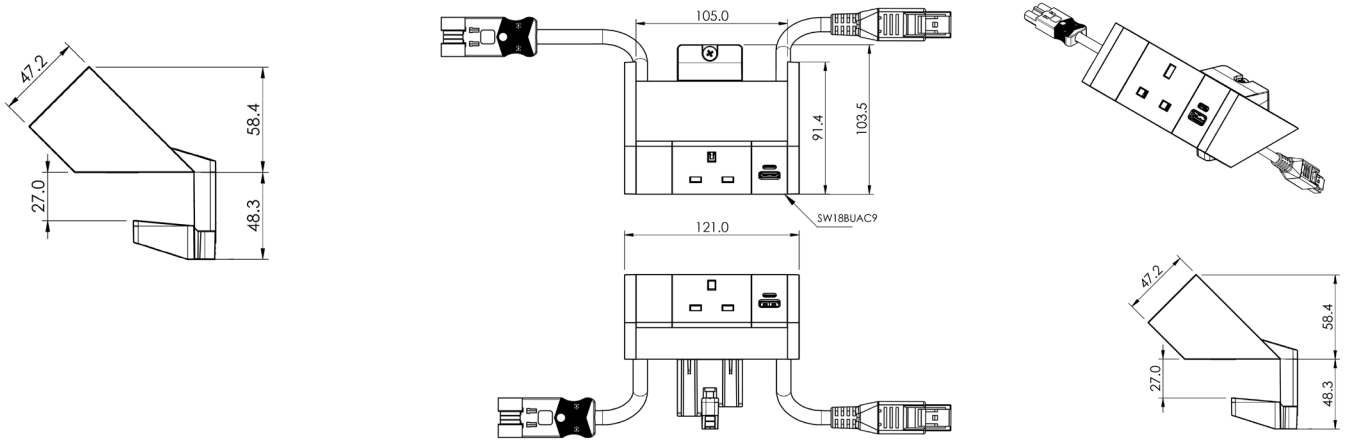


Product Drawings - Examples

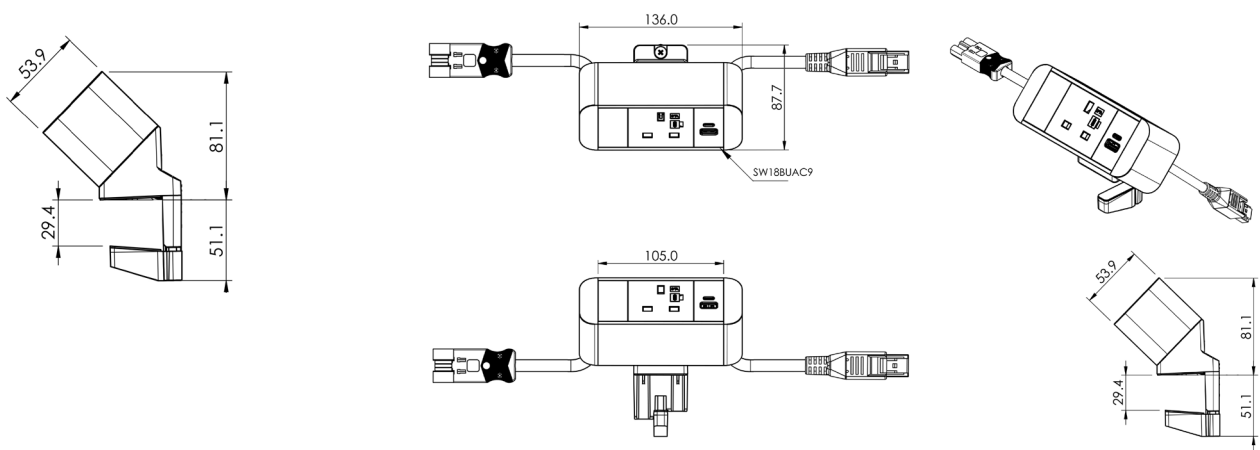
Echo Solo - ECUAC9**

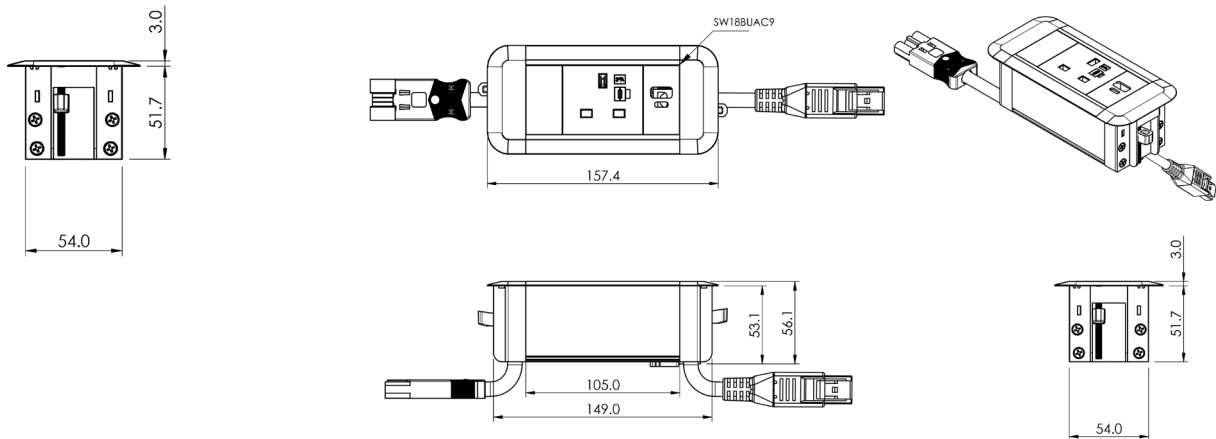


Athena 2 - UA2Q1UAC9/1****



Zeus 2 - UZ2Q1UAC910G/1****



Centra - UCQ1UAC910G/****


Product Specifications

USB 100 Watt A + C

Input	100-240V AC; 50/60Hz, 1.5A
Maximum power	100W
USB outlets	1 x Type-C PD3.0 fast charge 1 x Type-A standard fast charge
Operating temperature range	0-35C
Compliance	AS/NZS 62368.1 OCVIII, IEC 62368-1, EN 62368-1 CISPR32:2015, EN55032, EN IEC 61000 3-2; 3-3
USB-C PD Specification	
Max standard output with no other connected devices	20V/5A; 15V/3A; 9V/3A; 5V/3A+5V/3A; 9V/2A; 12V/1.5A
Max output with Type-A port engaged	20V/3.6A; 15V/3A; 9V/3A; 5V/3A
Protocols supported	PD3.0, QC3.0
USB-A Specification	
Max standard output with no other connected devices	5V/3A; 9V/2A; 12V/1.5A
Max output with Type-C port engaged	12V/1.5A
Protocols supported	QC3.0