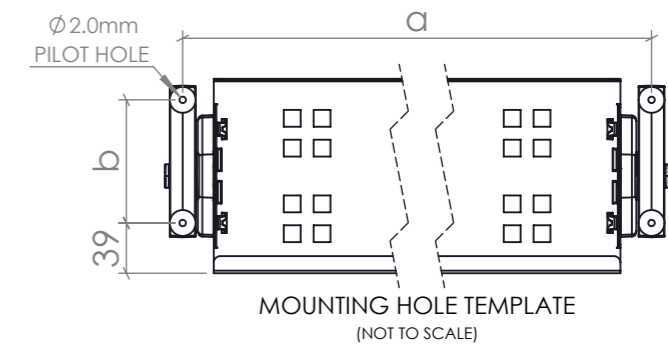


UNLOCKED POSITION



PART NO.	LENGTH (x) mm	COLOUR (XX)	PILOT HOLE	
			a	b
WMSR165XX	650	WT / BK	698	95
WMSR195XX	950		998	95
WMSR1125XX	1250		1298	95

CUSTOMER SIGNATURE:	TOLERANCES UNLESS OTHERWISE STATED: X ±0.5 X.X ±0.2 X.XX ±0.1 X.XXX ±0.05 ANG ±0.5°
MATERIAL: ABS / M.S	
FINISH: POWDERCOAT / FINE EDM	
COLOUR: AS NOTED	

 **CMS Electracom** COPYRIGHT © 2020

TITLE:
WMSR1 EASY ACCESS METAL TRAY

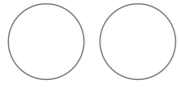
DRAWING: LU41039	REV: 1	A3
----------------------------	------------------	-----------

SCALE 2:7 SHEET 1 OF 2

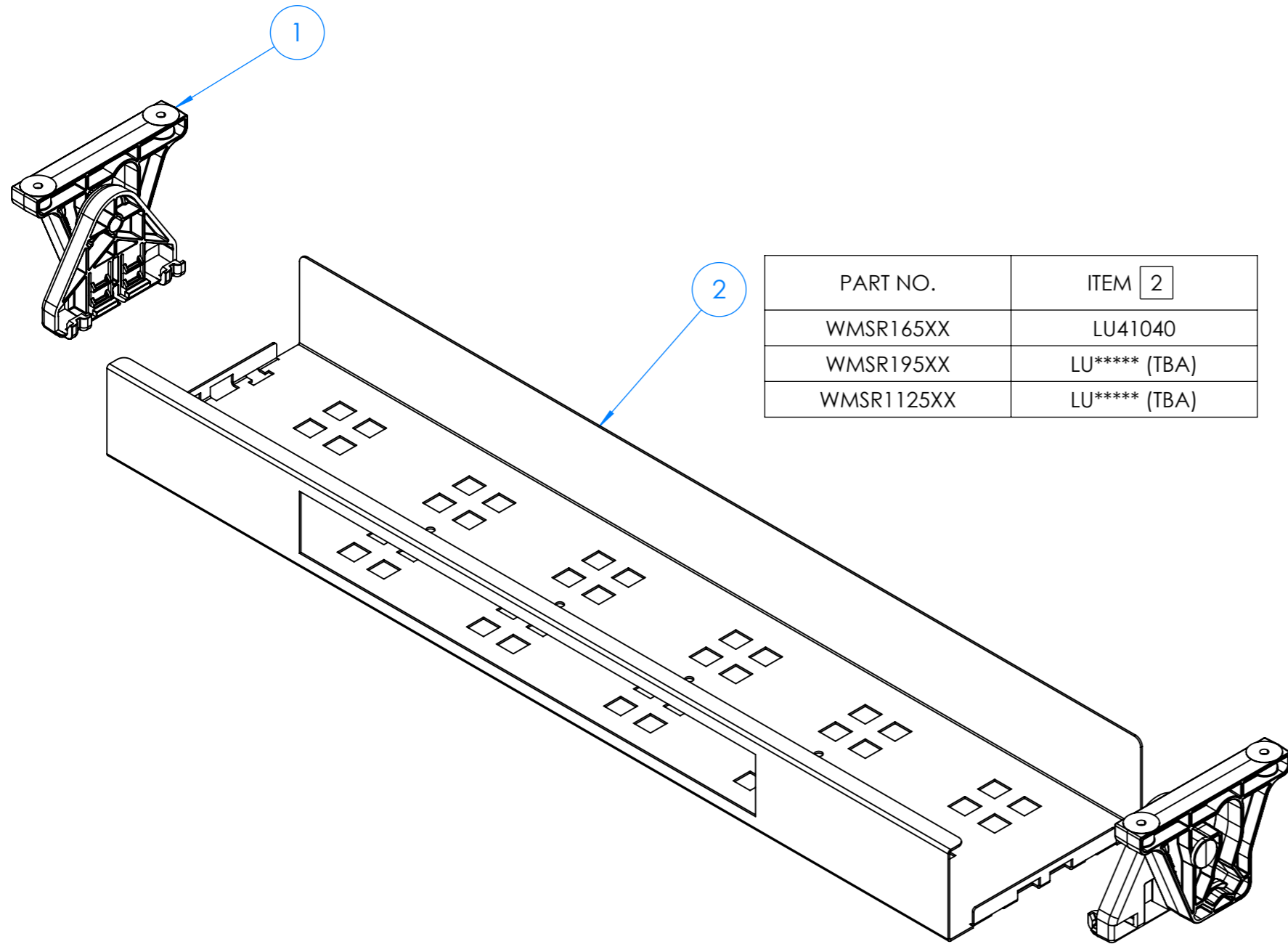
1	RELEASED FOR PROTOTYPE AND ASSESSMENT	18/08/2022	AB	RG
REV	DESCRIPTION	DATE	DRWN	APPV
	REVISIONS			

THIS DRAWING & ASSOCIATED CAD FILES ARE ISSUED IN THE STRICTEST CONFIDENCE AND ARE ONLY TO BE USED IN THE COMMERCIAL INTERESTS OF CMS ELECTRACOM PTY LTD

DRAWN IN mm TO AS1100 DO NOT SCALE



JOB NUMBER
PART NUMBER



PART NO.	ITEM
WMSR165XX	LU41040
WMSR195XX	LU***** (TBA)
WMSR1125XX	LU***** (TBA)

ITEM NO.	PART NUMBER	DESCRIPTION	QTY.
1	LU41101	EASY ACCESS 2 PART- WWL.RBK.WT/BK	2
2	REFER TO TABLE	EASY ACCESS METAL TRAY	1

CUSTOMER SIGNATURE:
MATERIAL: ABS / M.S
FINISH: POWDERCOAT
COLOUR: AS NOTED
THIS DRAWING & ASSOCIATED CAD FILES ARE ISSUED IN THE STRICTEST CONFIDENCE AND ARE ONLY TO BE USED IN THE COMMERCIAL INTERESTS OF CMS ELECTRACOM PTY LTD

TOLERANCES UNLESS OTHERWISE STATED:

X ±0.5
X.X ±0.2
X.XX ±0.1
X.XXX ±0.05
ANG ±0.5°

DRAWN IN mm TO AS1100 DO NOT SCALE



CMS Electracom COPYRIGHT © 2020

TITLE:
WMSR1 EASY ACCESS METAL TRAY

DRAWING: LU41039 **REV:** 1 **A3**

SCALE 1:3

SHEET 2 OF 2