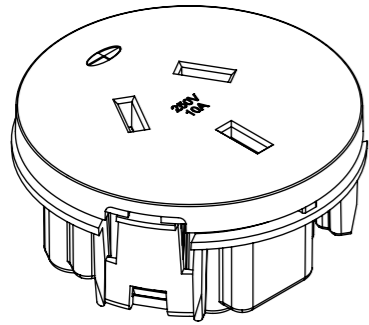
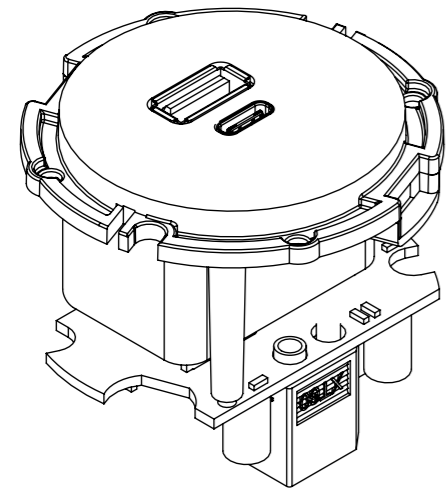
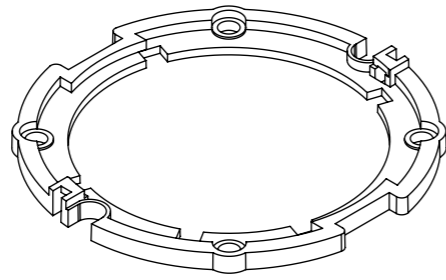


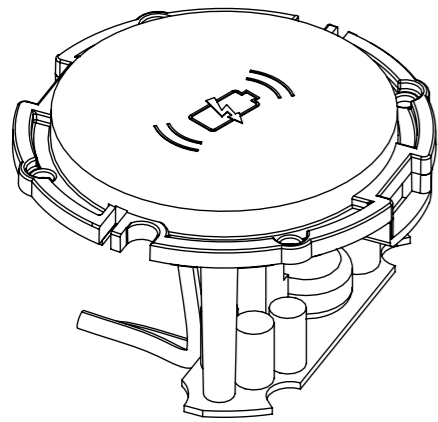
USE LU21933 WHEN INSTALLING GPO



AU/NZ SOCKET OUTLET = AU

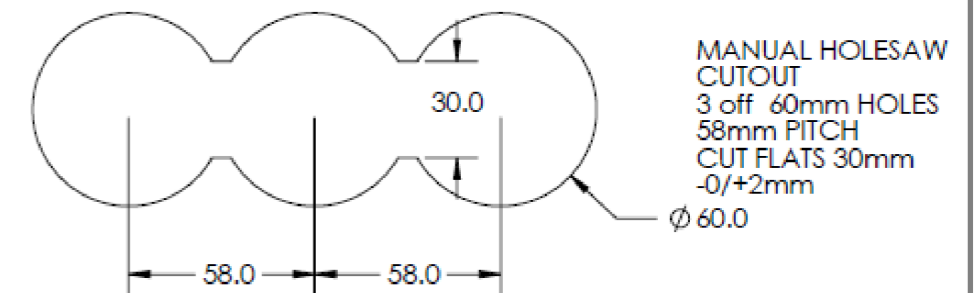
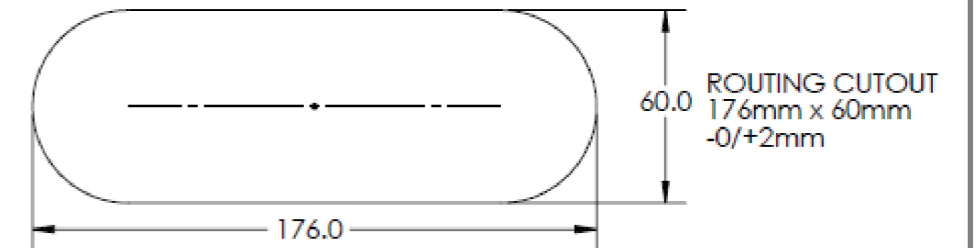
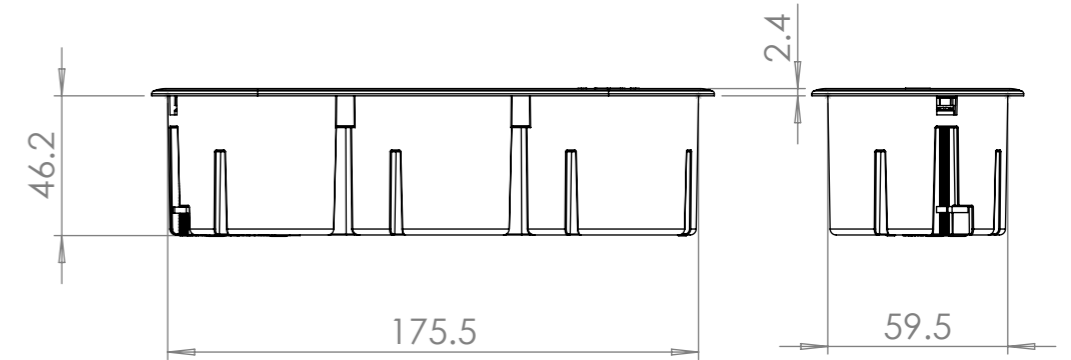
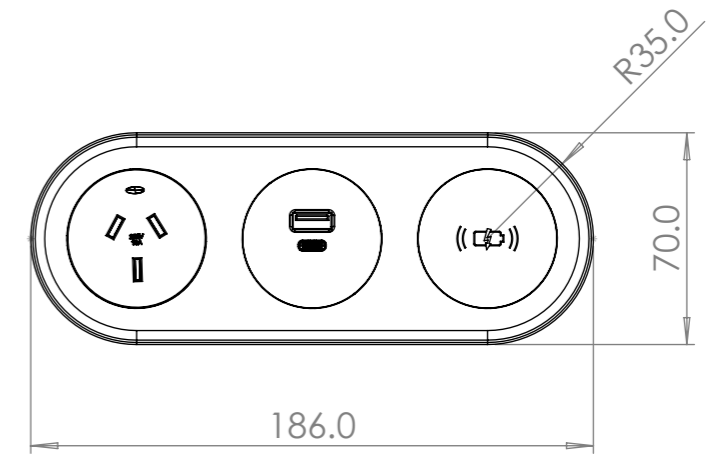
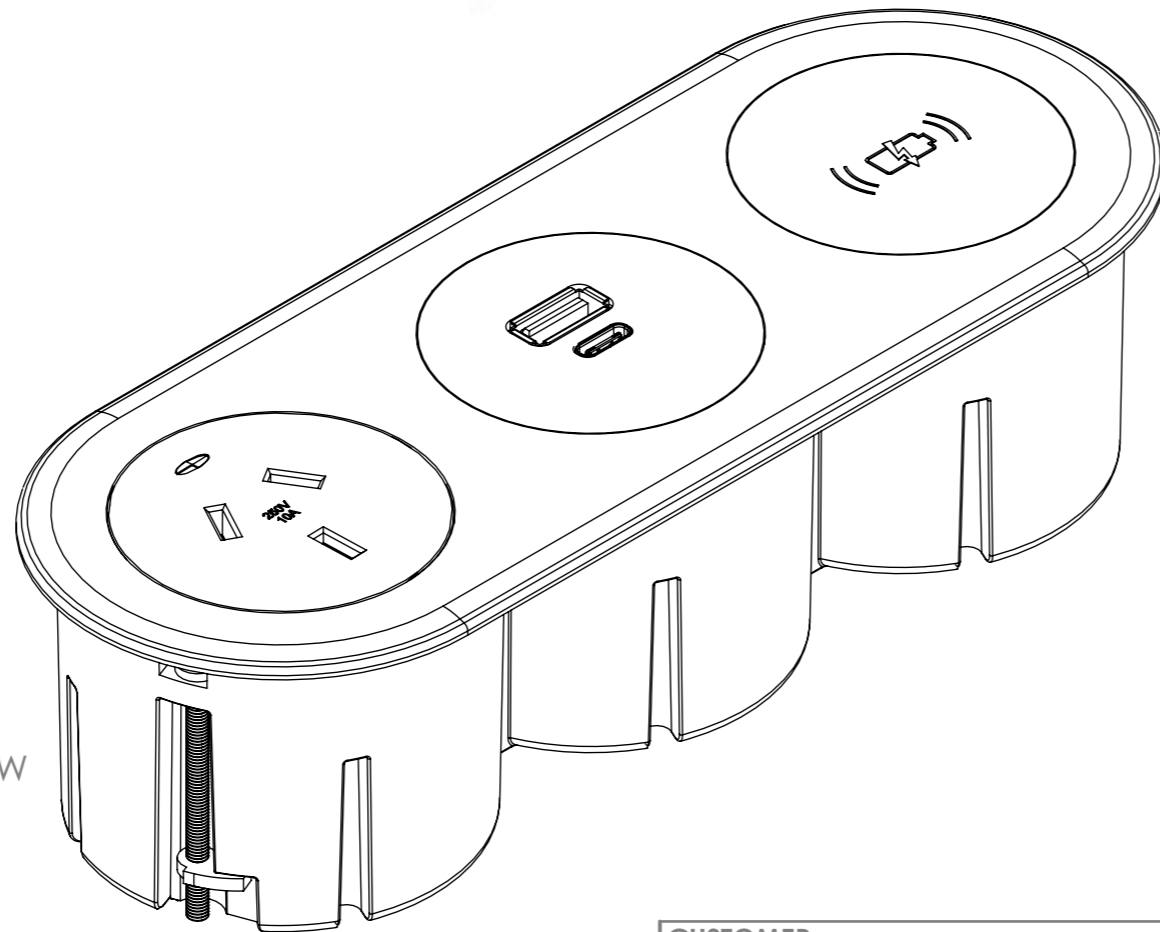


140W DC USB AC MODULE = U



DC WIRELESS CHARGING MODULE = W

FACTORY ONLY INSERTABLE MODULES
REFER PAGE 2 FOR MODULE
CONFIGURATION



MANUAL HOLESAW
CUTOUT
3 off 60mm HOLES
58mm PITCH
CUT FLATS 30mm
-0/+2mm
Ø 60.0


1	RELEASED FOR PRODUCTION	16/12/2022	JB	RG
REV	DESCRIPTION	DATE	DRWN	APPV
REVISIONS				

CUSTOMER SIGNATURE:	
MATERIAL:	PC FR
FINISH:	FINE EDM / POLISHED
COLOUR:	WHITE OR BLACK
THIS DRAWING & ASSOCIATED CAD FILES ARE ISSUED IN THE STRICTEST CONFIDENCE AND ARE ONLY TO BE USED IN THE COMMERCIAL INTERESTS OF CMS ELECTRACOM PTY LTD	

TOLERANCES UNLESS OTHERWISE STATED:

X ±0.5
X.X ±0.2
X.XX ±0.1
X.XXX ±0.05
ANG ±0.5°

DRAWN IN mm TO AS1100 DO NOT SCALE

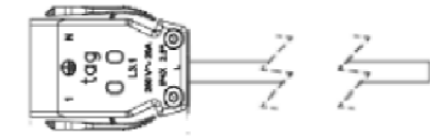
 **CMS Electracom** COPYRIGHT © 2020

TITLE: AU MULTI 3 ECHO DC CONFIGURATIONS

DRAWING: LU41652 **REV:** 1 **A3**

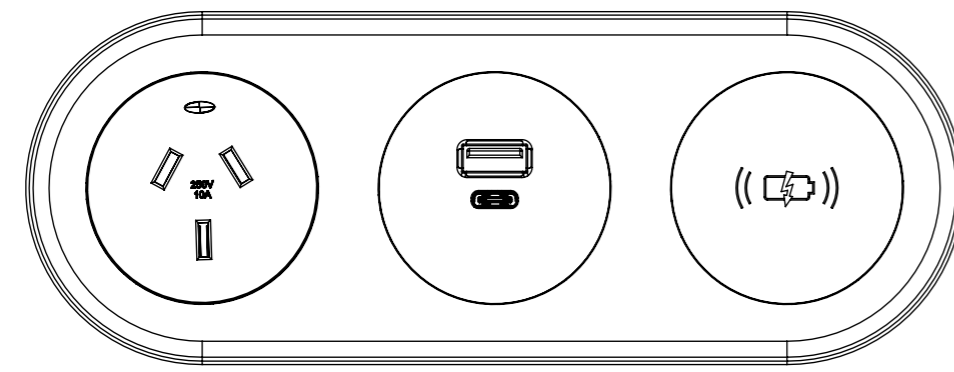
SCALE 1:5 SHEET 1 OF 4

NOTE: ONLY APPLICIABLE WITH AU/NZ SOCKET

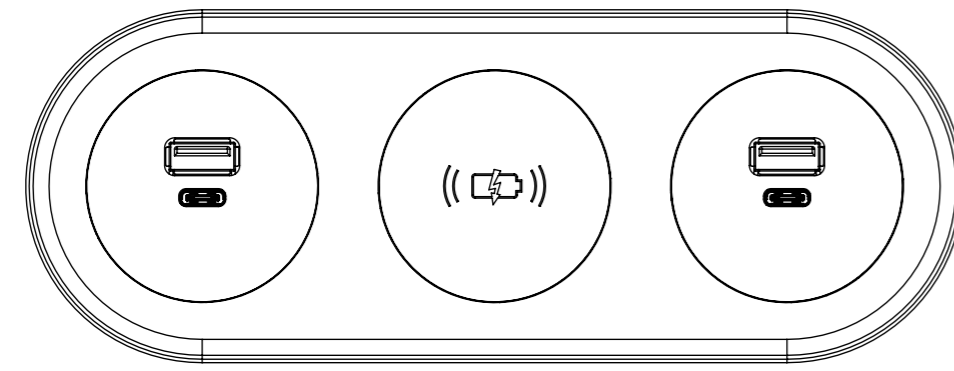


CABLE TYPE: 2.5MM
 DESCRIPTION: TAG CONNECTOR LEAD
 COLOUR: WHITE OR BLACK
 (REFER TO PURCHASE ORDER)
 LENGTH (mm):

xx	LENGTH (mm)
05	500
10	1000
15	1500
20	2000
25	2500
30	3000
35	3500
40	4000
45	4500
50	5000

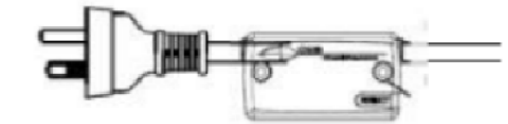


FRETA1UWXxxDXX



FRETUWUXxxDXX


NOTE: ONLY APPLICIABLE WITH AU/NZ SOCKET



CABLE TYPE: 1MM
 DESCRIPTION: AUSTRALIAN PLUG LEAD WITH THERMAL OVERLOAD
 COLOUR: WHITE OR BLACK
 (REFER TO PURCHASE ORDER)
 LENGTH (mm):

xx	LENGTH (mm)
05	500
10	1000
15	1500
20	2000
25	2500
30	3000
35	3500
40	4000
45	4500
50	5000

PART NUMBER: FRETA1UWXxxDXX
 NOTE - X - LEAD TYPE (TAG OR 3PIN PLUG)
 xx - LENGTH - 05 / 10 / 15 / 20 / 25 / 30 / 35 / 40 / 45 / 50
 XX - COLOUR - WT / BK / (BK/BK) / (WT/WT) / (WT/WM)

CUSTOMER SIGNATURE:	TOLERANCES UNLESS OTHERWISE STATED: X ±0.5 X.X ±0.2 X.XX ±0.1 X.XXX ±0.05 ANG ±0.5°	 CMS Electracom <small>COPYRIGHT © 2020</small>		
MATERIAL: PC FR				TITLE: AU MULTI 3 ECHO DC CONFIGURATIONS
FINISH: FINE EDM / POLISHED		DRAWING: LU41652	REV: 1	
COLOUR: WHITE OR BLACK		SCALE 1:5		SHEET 2 OF 4
THIS DRAWING & ASSOCIATED CAD FILES ARE ISSUED IN THE STRICTEST CONFIDENCE AND ARE ONLY TO BE USED IN THE COMMERCIAL INTERESTS OF CMS ELECTRACOM PTY LTD		DRAWN IN mm TO AS1100 DO NOT SCALE 