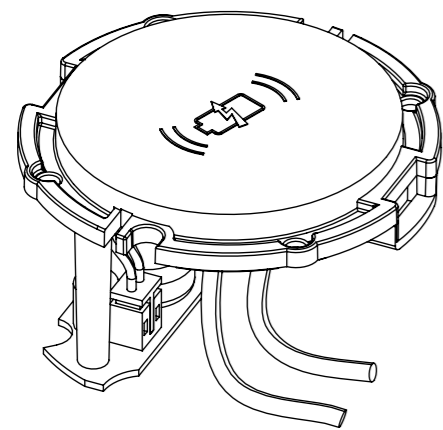
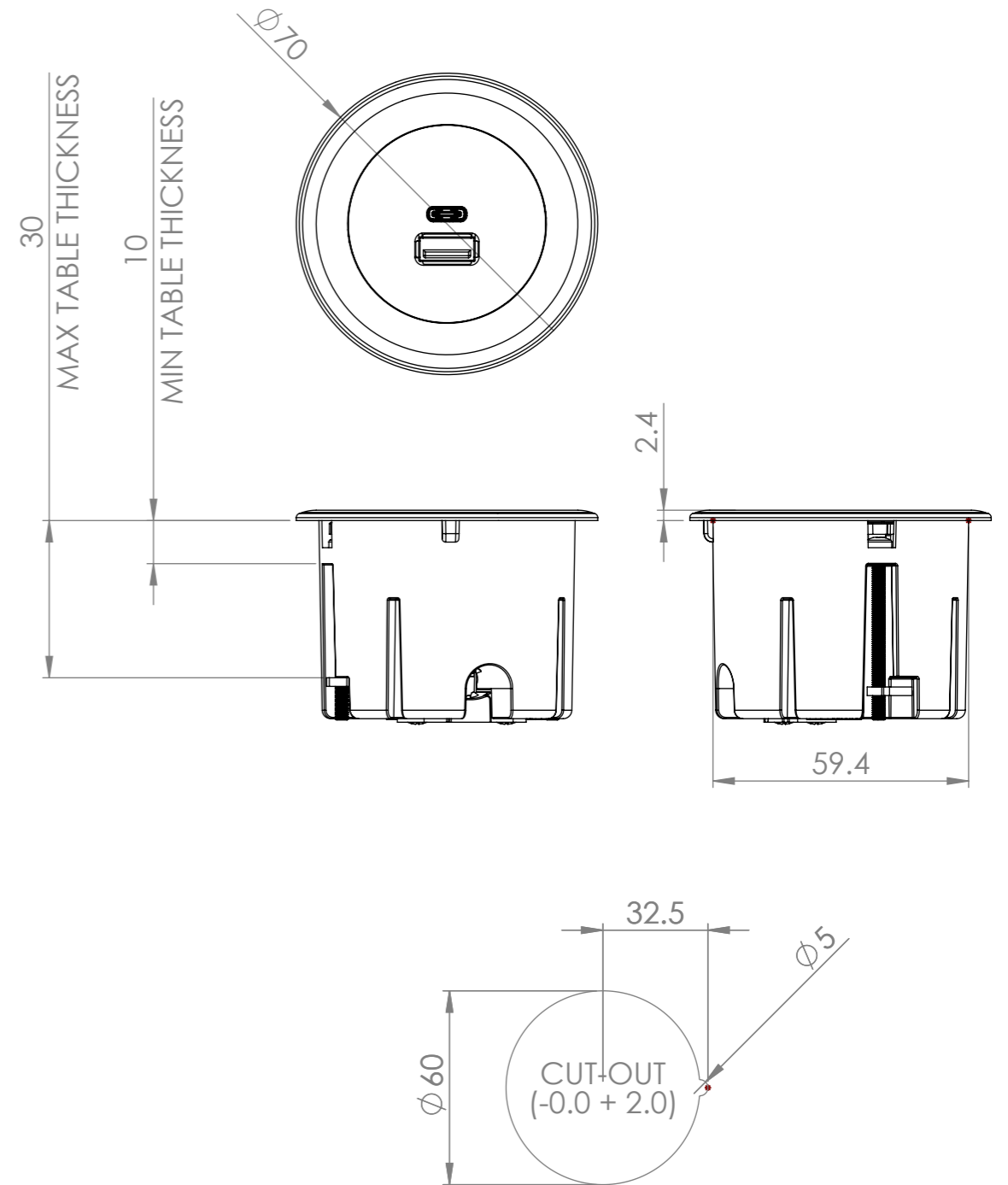
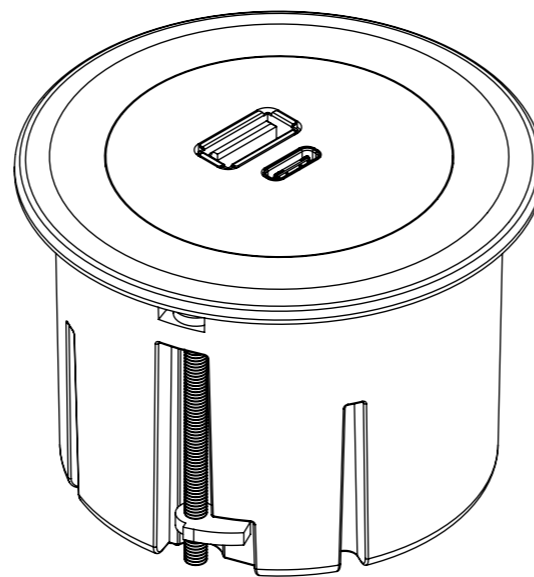


140W DC USB AC MODULE = U

FACTORY ONLY INSERTABLE MODULES  
REFER PAGE 2 FOR MODULE  
CONFIGURATIONS




DC WIRELESS CHARGING MODULE = W



1	RELEASED FOR PRODUCTION	16/1/2023	JB	RG
REV	DESCRIPTION	DATE	DRWN	APPV
REVISIONS				

<b>CUSTOMER SIGNATURE:</b>	
<b>MATERIAL:</b>	PC-FR
<b>FINISH:</b>	FINE EDM / POLISHED
<b>COLOUR:</b>	BLACK OR WHITE
THIS DRAWING & ASSOCIATED CAD FILES ARE ISSUED IN THE STRICTEST CONFIDENCE AND ARE ONLY TO BE USED IN THE COMMERCIAL INTERESTS OF CMS ELECTRACOM PTY LTD	

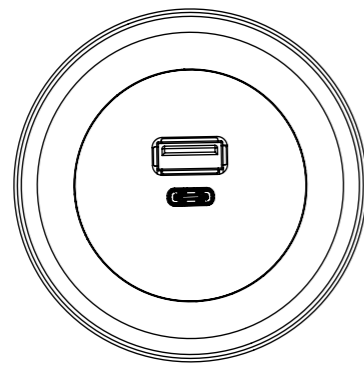
<b>TOLERANCES UNLESS OTHERWISE STATED:</b>
X ±0.5
X.X ±0.2
X.XX ±0.1
X.XXX ±0.05
ANG ±0.5°
DRAWN IN mm TO AS1100 DO NOT SCALE


**CMS Electracom** COPYRIGHT © 2015

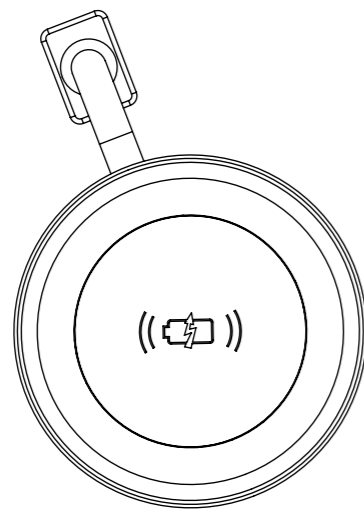
**TITLE:**  
ECHO DC CONFIGURATIONS

<b>DRAWING:</b> LU41713	<b>REV:</b> 1	A3
SCALE 1:2	SHEET 1 OF 4	

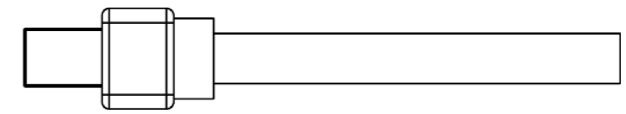
NOTE: ONLY FREWXxxXX COMES WITH CABLE



FREUXxxXX



FREWXxxXX



CABLE TYPE: 2 CORE x 2.5mm<sup>2</sup>  
 DESCRIPTION: XT60 MALE CONNECTOR LEAD  
 COLOUR: BLACK  
 (REFER TO PURCHASE ORDER)  
 LENGTH (mm):


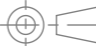
xx	LENGTH (mm)
05	500
10	1000
12	1250
15	1500
18	1800

**PART NUMBER: FREUXxxXX**

NOTE - X - LEAD TYPE (XT60 = X)

xx - LENGTH - 05 / 10 / 15 / 20 / 25 / 30 / 35 / 40 / 45 / 50

XX - COLOUR - WT / BK / (BK/BK) / (WT/WT) / (WT/WM)

<b>CUSTOMER SIGNATURE:</b>	<b>TOLERANCES UNLESS OTHERWISE STATED:</b>  X ±0.5 X.X ±0.2 X.XX ±0.1 X.XXX ±0.05 ANG ±0.5°	 <b>CMS Electracom</b> <small>COPYRIGHT © 2020</small>			
<b>MATERIAL:</b> PC-FR				<b>TITLE:</b>	
<b>FINISH:</b> FINE EDM / POLISHED		<b>DRAWING:</b> LU41731		<b>REV:</b> 1	
<b>COLOUR:</b> WHITE OR BLACK		SCALE 1:2		A3	
THIS DRAWING & ASSOCIATED CAD FILES ARE ISSUED IN THE STRICTEST CONFIDENCE AND ARE ONLY TO BE USED IN THE COMMERCIAL INTERESTS OF CMS ELECTRACOM PTY LTD		DRAWN IN mm TO AS1100 DO NOT SCALE 		SHEET 2 OF 4	