


MIN TABLE THICKNESS : 0.75" (19mm)  
 MAX TABLE THICKNESS : 1.25" (32mm)

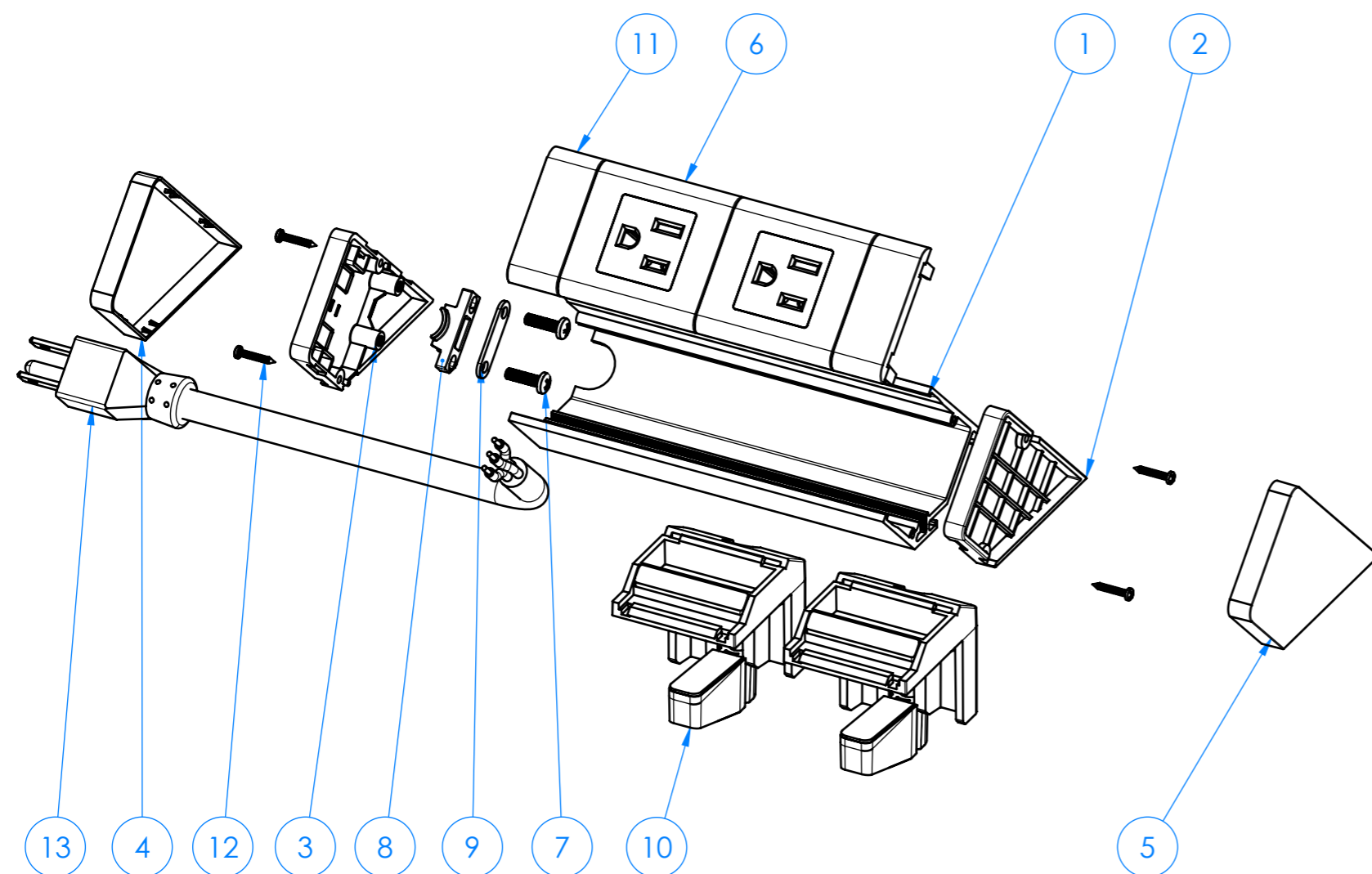
REV	DESCRIPTION	DATE	DRWN	APPV
2	PRODUCTION RELEASE	2/04/2019	CM	
1	RELEASED FOR TESTING	28/9/2018	KV	RG

REVISIONS

<b>CUSTOMER SIGNATURE:</b>
<b>MATERIAL:</b> ALUMINIUM / POLYCARBONATE
<b>FINISH:</b> ANODISED / FINE EDM
<b>COLOUR:</b> AS REQUESTED
THIS DRAWING & ASSOCIATED CAD FILES ARE ISSUED IN THE STRICTEST CONFIDENCE AND ARE ONLY TO BE USED IN THE COMMERCIAL INTERESTS OF CMS ELECTRACOM PTY LTD

<b>TOLERANCES UNLESS OTHERWISE STATED:</b>
X ±0.5
X.X ±0.2
X.XX ±0.1
X.XXX ±0.05
ANG ±0.5°
DRAWN IN mm TO AS1100 DO NOT SCALE

 <b>CMS Electracom</b>		COPYRIGHT © 2015
<b>TITLE:</b> ATHENA WITH 2 SOCKETS		
<b>DRAWING:</b> LU23087	<b>REV:</b> 2	<b>A3</b>
SCALE 1:2	SHEET 1 OF 2	



**NOTE:**

1. Estimated extrusion length **137mm**
2. Check final cut length of extrusion by measuring actual width of nominated moulded tiles

ITEM NO.	PART NUMBER	DESCRIPTION	QTY.
1	LU9422	137.0mm Athena MK2 Extrusion	1
2	LU9423	Athena Inner End Cap RH	1
3	LU9424	Athena MK2 inner endcap LH	1
4	LU16686	Athena Outer End Cap LH	1
5	LU16685	Athena Outer End Cap RH	1
6	SW18CUS + US SOCKET	50mm TILE WITH US SOCKET	2
7	7021604	6G x 1/2" Pan Head Self Tapping Screw	2
8	LU21943	hardwire connector for rail endcaps	1
9	LU18107	Athena Clamp Plate	1
10	LU22229	Athena desk clamp assembly	2
11	SW18A	18mm blank tile	2
12	-	2G x 13mm Pan Head Self Tapping Screw	4
13	-	1000mm LEAD WITH US PLUG	1

**REFERENCE DRAWINGS**

Drawing	Description
LU9294	Athena routing detail
LU23090	Socket & loom assembly
LU26575	Earth bonding assembly

<b>CUSTOMER SIGNATURE:</b>
<b>MATERIAL:</b> ALUMINIUM / POLYCARBONATE
<b>FINISH:</b> ANODISED / FINE EDM
<b>COLOUR:</b> AS NOTED
THIS DRAWING & ASSOCIATED CAD FILES ARE ISSUED IN THE STRICTEST CONFIDENCE AND ARE ONLY TO BE USED IN THE COMMERCIAL INTERESTS OF CMS ELECTRACOM PTY LTD

**TOLERANCES UNLESS OTHERWISE STATED:**

X ±0.5  
X.X ±0.2  
X.XX ±0.1  
X.XXX ±0.05  
ANG ±0.5°

DRAWN IN mm TO AS1100 DO NOT SCALE

**CMS Electracom** COPYRIGHT © 2015

**TITLE:**  
ATHENA WITH 2 SOCKETS

<b>DRAWING:</b> LU23087	<b>REV:</b> 2	<b>A3</b>
SCALE 1:2	SHEET 2 OF 2	