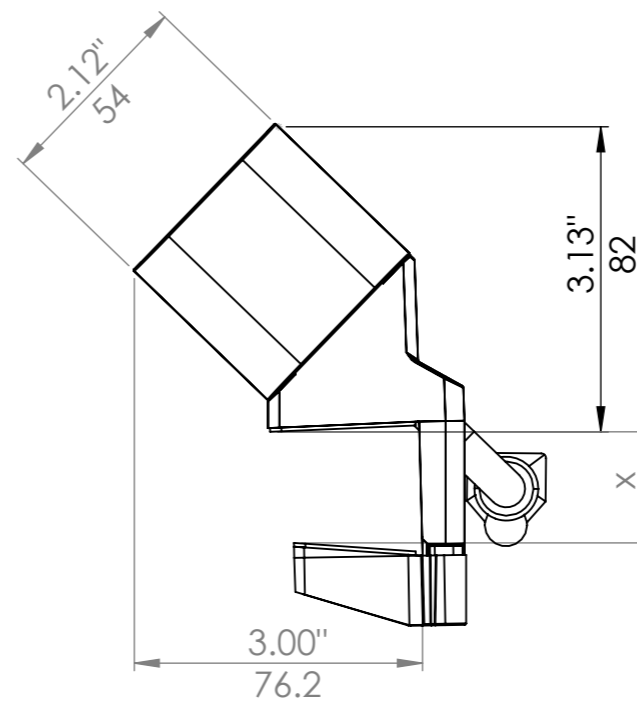
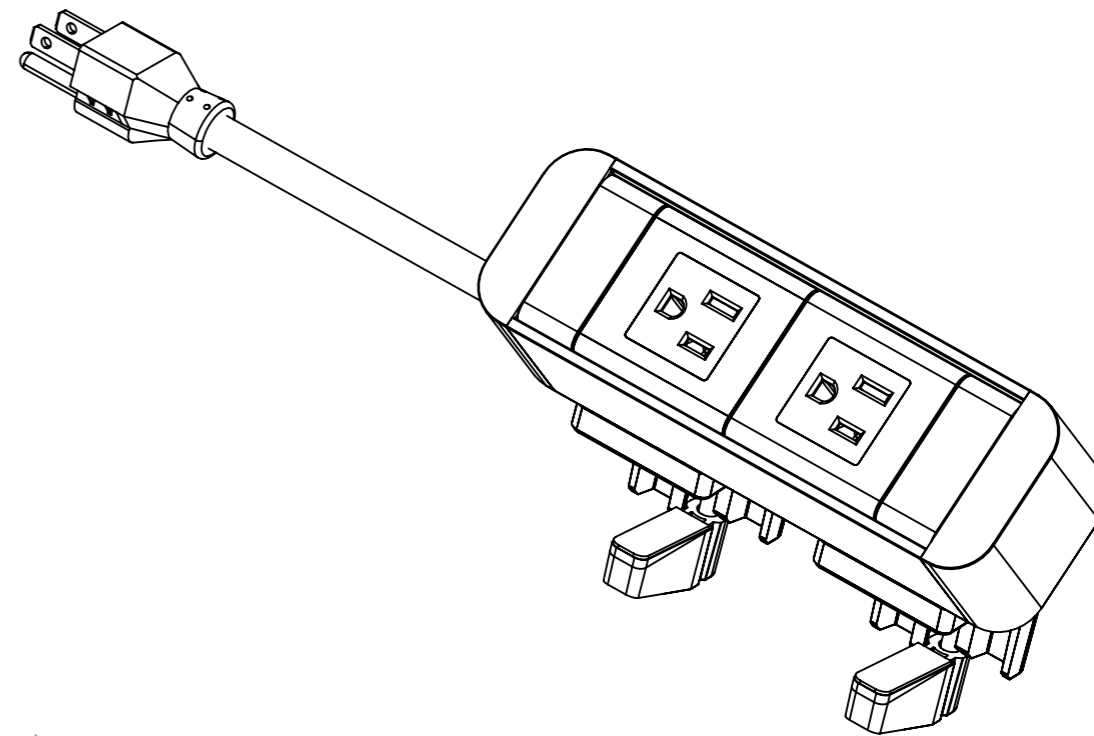


STD CABLE LENGTH 72"
1800mm




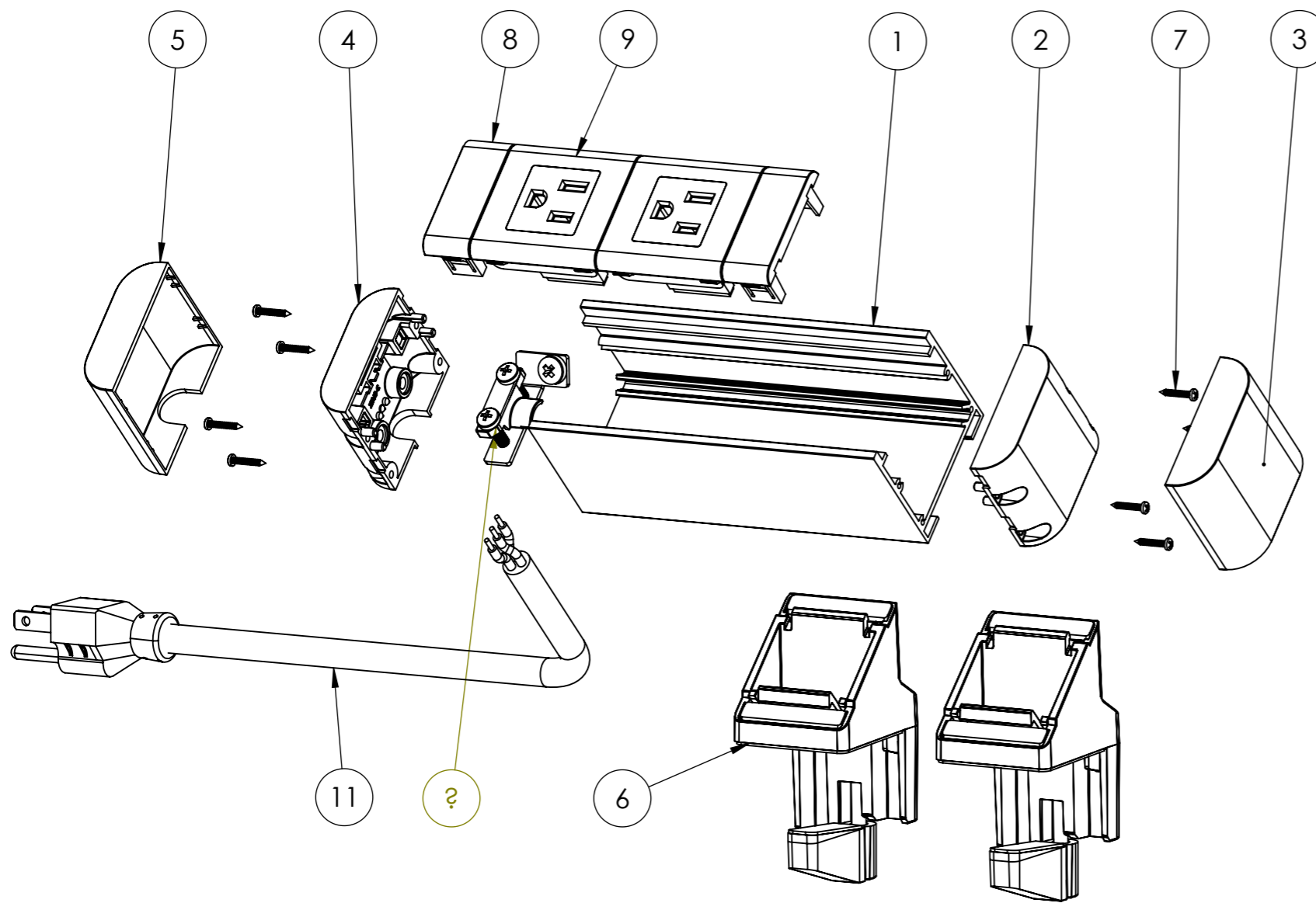
MIN TABLE THICKNESS: 0.75" (19mm)
MAX TABLE THICKNESS: 1.25" (32mm)

REV	DESCRIPTION	DATE	DRWN	APPV
2	PRODUCTION RELEASE	3/04/2019	CM	
1	RELEASED FOR TESTING	28/09/2018	KV	RG
REVISIONS				

CUSTOMER SIGNATURE:
MATERIAL: ALUMINIUM / POLYCARBONATE
FINISH: ANODISED / FINE EDM
COLOUR: AS REQUESTED
THIS DRAWING & ASSOCIATED CAD FILES ARE ISSUED IN THE STRICTEST CONFIDENCE AND ARE ONLY TO BE USED IN THE COMMERCIAL INTERESTS OF CMS ELECTRACOM PTY LTD

TOLERANCES UNLESS OTHERWISE STATED: X ±0.5 X.X ±0.2 X.XX ±0.1 X.XXX ±0.05 ANG ±0.5°
DRAWN IN mm TO AS1100 DO NOT SCALE

 CMS Electracom		COPYRIGHT © 2015
TITLE: ZEUS 2 WITH 2 x SOCKETS		
DRAWING: LU23098	REV: 2	A3
SCALE 1:2	SHEET 1 OF 2	



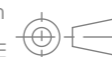
NOTE:

1. Estimated extrusion length **137mm**
2. Check final cut length of extrusion by measuring actual width of nominated moulded tiles

ITEM NO.	PART NUMBER	DESCRIPTION	QTY.
1	LU9340	137mm Zues Rail Extrusion	1
2	LU18250	Zeus Inner End Cap RH	1
3	LU18251	Zues Outer End Cap RH	1
4	LU16672	Zeus Inner End Cap LH	1
5	LU18055	Zues Outer End Cap LH	1
6	ZEUS DESK CLAMP	ZEUS DESK CLAMP	2
7	-	2G x 13mm Pan Head Self Tapping Screw	8
8	SW18A	18mm blank tile	2
9	SW18CUS + US SOCKET	50mm TILE WITH US SOCKET	2
10	LU24148	Zeus 2 strain relief clamp assembly	1
11	-	1000mm LEAD WITH US SOCKET	1

REFERENCE DRAWINGS

Drawing	Description
LU23090	Socket & loom assembly
LU28341	Earth bonding assembly

CUSTOMER SIGNATURE:	TOLERANCES UNLESS OTHERWISE STATED: X ±0.5 X.X ±0.2 X.XX ±0.1 X.XXX ±0.05 ANG ±0.5°
MATERIAL: ALUMINIUM / POLYCARBONATE	
FINISH: ANODISED / FINE EDM	
COLOUR: AS REQUESTED	
<small>THIS DRAWING & ASSOCIATED CAD FILES ARE ISSUED IN THE STRICTEST CONFIDENCE AND ARE ONLY TO BE USED IN THE COMMERCIAL INTERESTS OF CMS ELECTRACOM PTY LTD</small>	
<small>DRAWN IN mm TO AS1100 DO NOT SCALE</small> 	

TITLE: ZEUS 2 WITH 2 x SOCKETS		
DRAWING: LU23098	REV: 2	A3
SCALE 1:2		
SHEET 2 OF 2		