


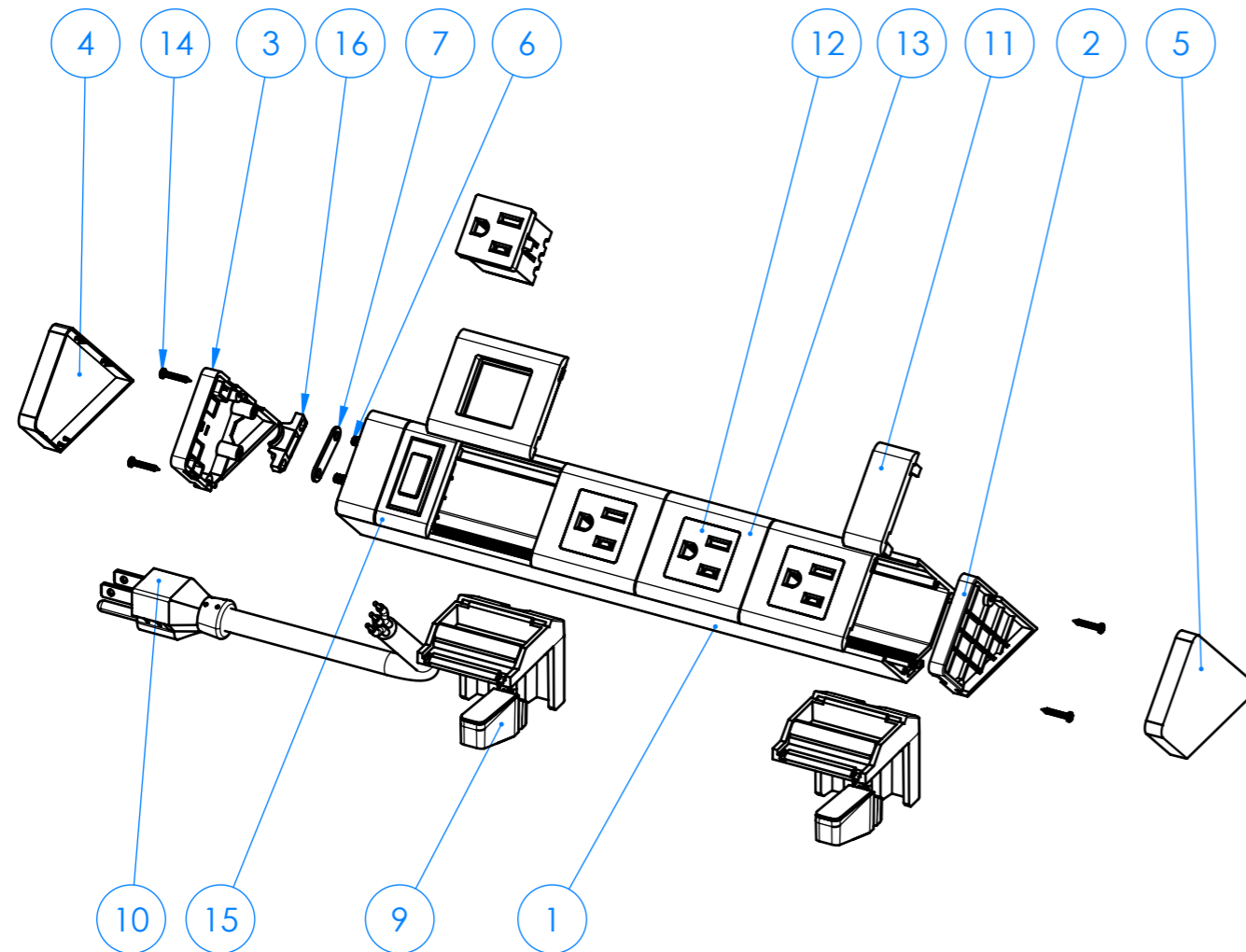
MIN TABLE THICKNESS : 0.75" (19mm)  
MAX TABLE THICKNESS : 1.25" (32mm)

| REV       | DESCRIPTION          | DATE       | DRWN | APPV |
|-----------|----------------------|------------|------|------|
| 2         | PRODUCTION RELEASE   | 12/04/2019 | CM   |      |
| 1         | RELEASED FOR TESTING | 05/12/2017 | JC   | AP   |
| REVISIONS |                      |            |      |      |

|  |              |
|--|--------------|
| <b>CUSTOMER SIGNATURE:</b>   |              |
| <b>MATERIAL:</b>   | AS NOTED     |
| <b>FINISH:</b>   | AS NOTED     |
| <b>COLOUR:</b>   | AS REQUESTED |
| THIS DRAWING & ASSOCIATED CAD FILES ARE ISSUED IN THE STRICTEST CONFIDENCE AND ARE ONLY TO BE USED IN THE COMMERCIAL INTERESTS OF CMS ELECTRACOM PTY LTD |              |

|  |
|--|
| <b>TOLERANCES UNLESS OTHERWISE STATED:</b> |
| X ±0.5                                     |
| X.X ±0.2                                   |
| X.XX ±0.1                                  |
| X.XXX ±0.05                                |
| ANG ±0.5°                                  |
| DRAWN IN mm TO AS1100 DO NOT SCALE         |

|   |                  |                  |
|---|------------------|------------------|
|  <b>CMS Electracom</b> |                  | COPYRIGHT © 2015 |
| <b>TITLE:</b><br>ATHENA WITH 4 X SOCKETS + SWITCH   |                  |                  |
| <b>DRAWING:</b><br>LU23228  | <b>REV:</b><br>2 | <b>A3</b>        |
| SCALE 1:2   | SHEET 1 OF 2     |                  |



**NOTE:**

1. Estimated extrusion length **262mm**
2. Check final cut length of extrusion by measuring actual width of nominated tiles

| ITEM NO. | PART NUMBER                            | QTY. |
|----------|--|------|
| 1        | 262mm Athena MK2 extrusion             | 1    |
| 2        | LU9423                                 | 1    |
| 3        | LU9424                                 | 1    |
| 4        | LU16686                                | 1    |
| 5        | LU16685                                | 1    |
| 6        | 6G x 1/2" pan head screw (P/N 7021604) | 2    |
| 7        | LU18107                                | 1    |
| 9        | LU22229                                | 2    |
| 10       | US Plug /LEAD                          | 1    |
| 11       | SW18A                                  | 2    |
| 12       | ZE3B-3                                 | 4    |
| 13       | SW18CUS1WT                             | 4    |
| 14       | 2G(2.2mm) x 13 Pan                     | 4    |
| 15       | SW18B neon                             | 1    |
| 16       | LU21943                                | 1    |

**REFERENCE DRAWINGS**

| Drawing | Description            |
|---------|------------------------|
| LU9294  | Athena routing detail  |
| LU23136 | Socket & loom assembly |
| LU26575 | Earth bonding assembly |

|  |   |
|--|---|
| <b>CUSTOMER SIGNATURE:</b>   | <b>TOLERANCES UNLESS OTHERWISE STATED:</b><br><br>X ±0.5<br>X.X ±0.2<br>X.XX ±0.1<br>X.XXX ±0.05<br>ANG ±0.5° |
| <b>MATERIAL:</b><br>AS NOTED   |   |
| <b>FINISH:</b><br>AS NOTED   |   |
| <b>COLOUR:</b><br>AS NOTED   |   |
| THIS DRAWING & ASSOCIATED CAD FILES ARE ISSUED IN THE STRICTEST CONFIDENCE AND ARE ONLY TO BE USED IN THE COMMERCIAL INTERESTS OF CMS ELECTRACOM PTY LTD |   |
| DRAWN IN mm TO AS1100 DO NOT SCALE   |   |

**TITLE:** ATHENA WITH 4 X SOCKETS + SWITCH

|                            |                  |           |
|----------------------------|------------------|-----------|
| <b>DRAWING:</b><br>LU23228 | <b>REV:</b><br>2 | <b>A3</b> |
| SCALE 1:3                  | SHEET 2 OF 2     |           |