

MIN TABLE THICKNESS: 0.75" (20mm)
 MAX TABLE THICKNESS: 1.25" (32mm)

STD LEAD LENGTH 72"
 1800mm

REV	DESCRIPTION	DATE	DRWN	APPV
2	PRODUCTION RELEASE	28/03/2019	CM	
1	RELEASED FOR TESTING	29/11/2017	JC	AP
REVISIONS				

CUSTOMER SIGNATURE:	
MATERIAL:	AS NOTED
FINISH:	AS NOTED
COLOUR:	
THIS DRAWING & ASSOCIATED CAD FILES ARE ISSUED IN THE STRICTEST CONFIDENCE AND ARE ONLY TO BE USED IN THE COMMERCIAL INTERESTS OF CMS ELECTRACOM PTY LTD	

TOLERANCES UNLESS OTHERWISE STATED:
X ±0.5
X.X ±0.2
X.XX ±0.1
X.XXX ±0.05
ANG ±0.5°
DRAWN IN mm TO AS1100 DO NOT SCALE

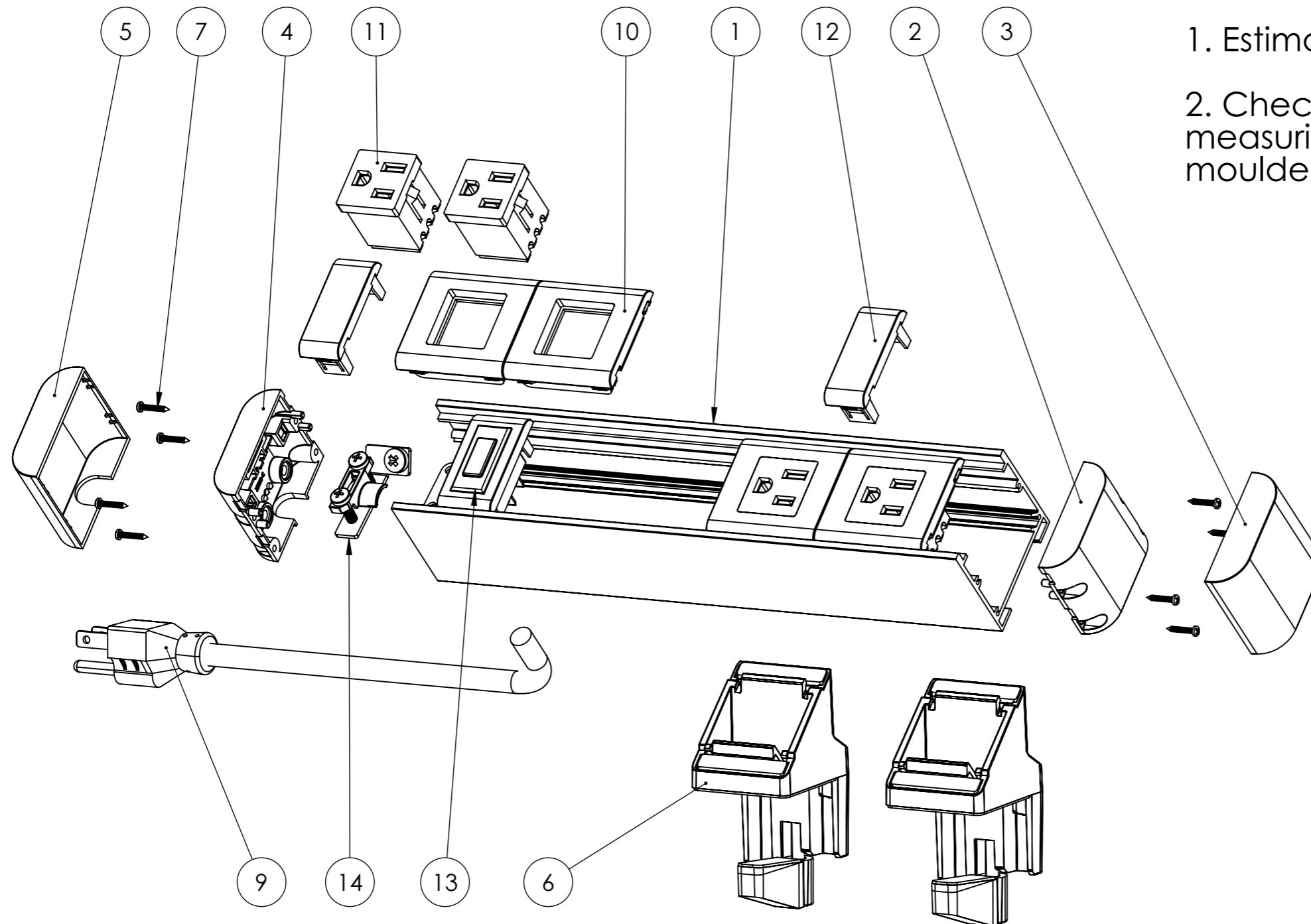
CMS Electracom COPYRIGHT © 2015

TITLE: ZEUS 2 RAIL WITH 4 x US SOCKETS + SWITCH

DRAWING: LU23232

SCALE: 1:2

REV: 2	A3
SHEET 1 OF 2	



NOTE:

1. Estimated extrusion length **262mm**
2. Check final cust length of extrusion by measuring actual width of nominated moulded files



Max rated output: 15A, 120V~, 60Hz
 CAUTION: to reduce risk of electric shock
 use only indoors
 for use only in portable furnishing



MODEL: XXXXXXXXXX
 BUILT: X XXXX ○ ○

ITEM NO.	PART NUMBER	QTY
1	262mm Zues Rail Extrusion	1
2	LU18250_Zeus Inner End Cap RH	1
3	LU18251_Zeus Outer End Cap RH	1
4	LU16672_Zeus Inner End Cap LH	1
5	LU18055_Zues Outer End Cap LH	1
6	ZEUS DESK CLAMP	2
7	2G(2.2mm) x 13 Pan	8
9	US Plug /LEAD	1
10	SW18CUS1WT	4
11	ZE3B-3	4
12	SW18A	2
13	SW18B neon	1
14	LU24148 Zeus 2 strain relief clamp assembly	1

REFERENCE DRAWINGS

Drawing	Description
LU23136	socket & loom assembly
LU28341	Earth bonding assembly

CUSTOMER SIGNATURE:	TOLERANCES UNLESS OTHERWISE STATED:
MATERIAL: AS NOTED	X ±0.5 X.X ±0.2 X.XX ±0.1 X.XXX ±0.05 ANG ±0.5°
FINISH: AS NOTED	
COLOUR:	
THIS DRAWING & ASSOCIATED CAD FILES ARE ISSUED IN THE STRICTEST CONFIDENCE AND ARE ONLY TO BE USED IN THE COMMERCIAL INTERESTS OF CMS ELECTRACOM PTY LTD	DRAWN IN mm TO AS1100 DO NOT SCALE



TITLE: ZEUS 2 WITH 4 x SOCKETS + SWITCH		
DRAWING: LU23232	REV: 2	A3
SCALE 1:3	SHEET 2 OF 2	