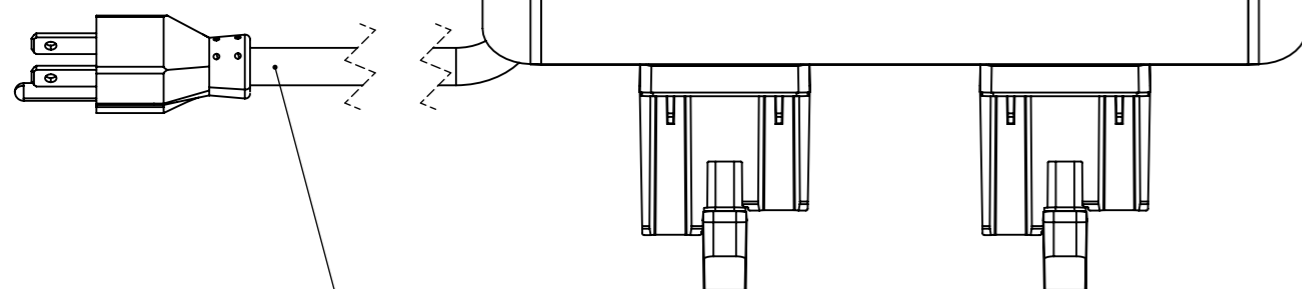
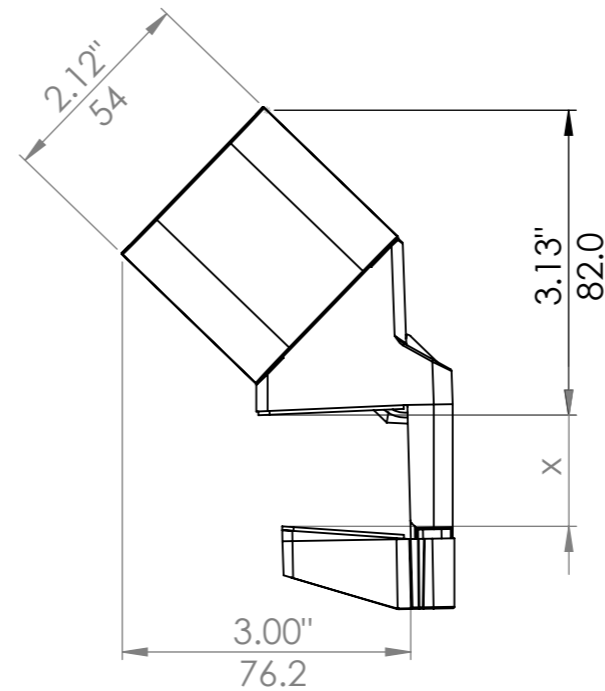
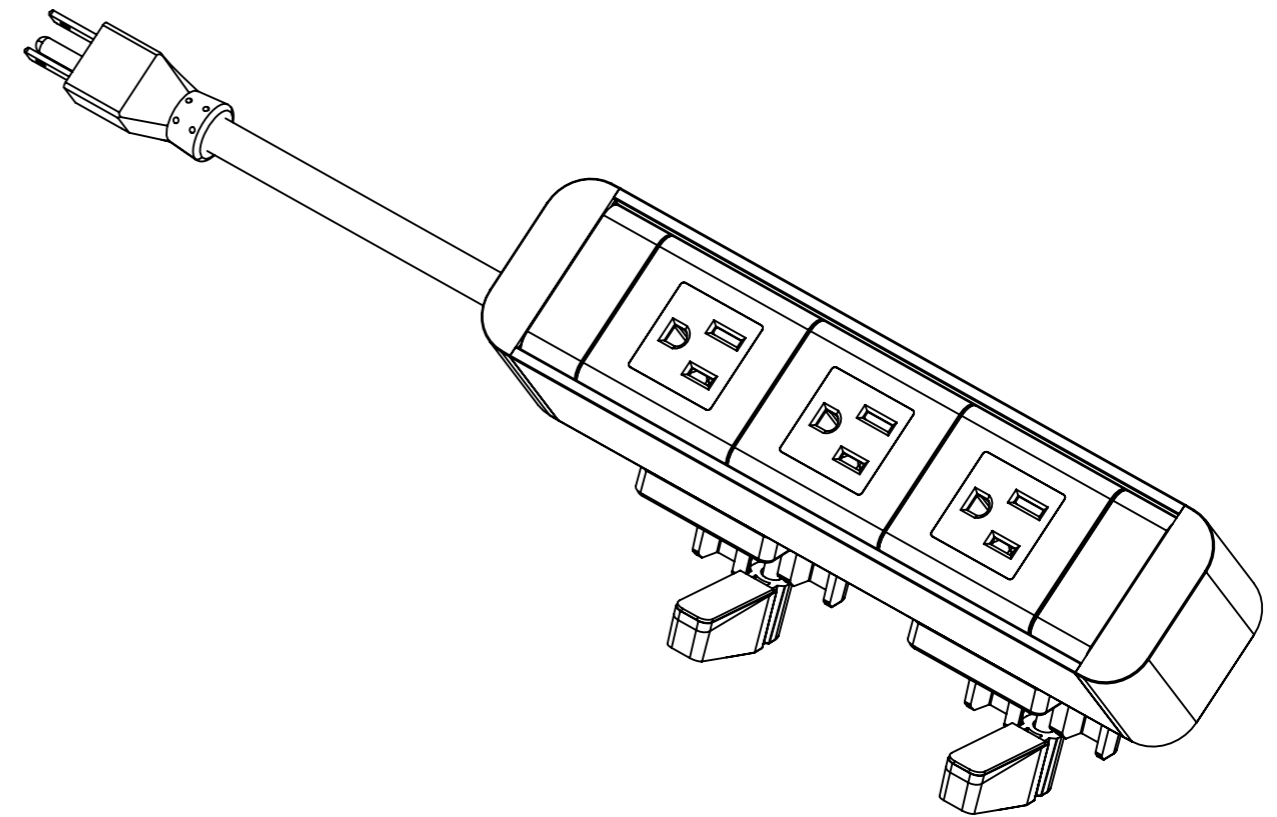


8.54"  
217



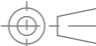
STD CABLE LENGTH 72"  
(1800mm)




MIN TABLE THICKNESS: 0.75" (20mm)  
MAX TABLE THICKNESS: 1.25" (32mm)

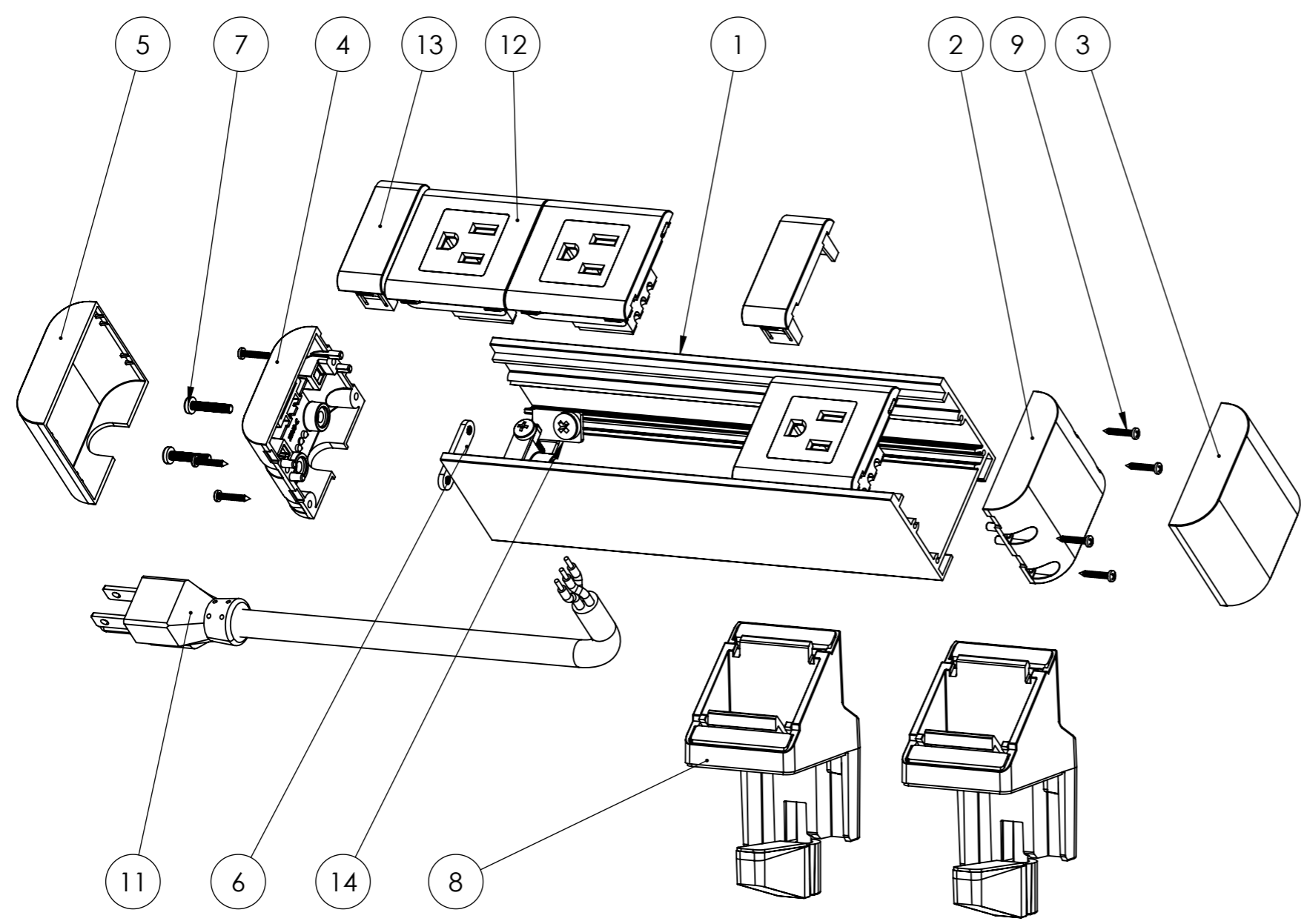
REV	DESCRIPTION	DATE	DRWN	APPV
2	PRODUCTION RELEASE	26/03/2019	JC	
1	RELEASED FOR TESTING	28/09/2018	KV	RG
REVISIONS				

<b>CUSTOMER SIGNATURE:</b>	<b>TOLERANCES UNLESS OTHERWISE STATED:</b>  X ±0.5 X.X ±0.2 X.XX ±0.1 X.XXX ±0.05 ANG ±0.5°
<b>MATERIAL:</b> ALUMINIUM / POLYCARBONATE	
<b>FINISH:</b> ANODISED / FINE EDM	
<b>COLOUR:</b> AS REQUESTED	
<small>THIS DRAWING &amp; ASSOCIATED CAD FILES ARE ISSUED IN THE STRICTEST CONFIDENCE AND ARE ONLY TO BE USED IN THE COMMERCIAL INTERESTS OF CMS ELECTRACOM PTY LTD</small>	

<small>DRAWN IN mm TO AS1100 DO NOT SCALE</small> 
---

 <b>CMS Electracom</b>		<small>COPYRIGHT © 2015</small>	
<b>TITLE:</b> ZEUS 2 WITH 3 x SOCKETS			
<b>DRAWING:</b> LU23478		<b>REV:</b> 2	
SCALE 1:2		SHEET 1 OF 2	
			<b>A3</b>

MODEL: XXXXXXXXXX  
BUILT: X XXXX



**NOTE:**

1. Estimated extrusion length  
**187mm**

2. Check final length of extrusion  
by measuring actual width of  
nominated moulded tiles

ITEM NO.	PART NUMBER	QTY.
1	187mm Zues Rail Extrusion	1
2	LU18250_Zeus Inner End Cap RH	1
3	LU18251_Zeus Outer End Cap RH	1
4	LU16672_Zeus Inner End Cap LH	1
5	LU18055_Zues Outer End Cap LH	1
6	LU18539_Zeus Clamp Plate	1
7	7011318 - M3 x 18 PPH	2
8	ZEUS DESK CLAMP	2
9	2G(2.2mm) x 13 Pan	8
11	US Plug /LEAD	1
12	SW18CUS + US SOCKET	3
13	SW18A	2
14	LU24148 strain relief clamp assembly	1

**REFERENCE DRAWINGS**

Drawing	Description
LU23090	Socket & loom assembly
LU28341	Earth bonding assembly

**CUSTOMER SIGNATURE:**  
**MATERIAL:** ALUMINIUM / POLYCARBONATE  
**FINISH:** ANODISED / FINE EDM  
**COLOUR:** AS REQUESTED  
THIS DRAWING & ASSOCIATED CAD FILES ARE ISSUED IN THE STRICTEST CONFIDENCE AND ARE ONLY TO BE USED IN THE COMMERCIAL INTERESTS OF CMS ELECTRACOM PTY LTD

**TOLERANCES UNLESS OTHERWISE STATED:**  
X ±0.5  
X.X ±0.2  
X.XX ±0.1  
X.XXX ±0.05  
ANG ±0.5°  
DRAWN IN mm TO AS1100 DO NOT SCALE



**TITLE:** ZEUS 2 WITH 3 x SOCKETS  
**DRAWING:** LU23478  
**REV:** 2  
**SCALE:** 1:2  
**SHEET:** 2 OF 2  
**SIZE:** A3