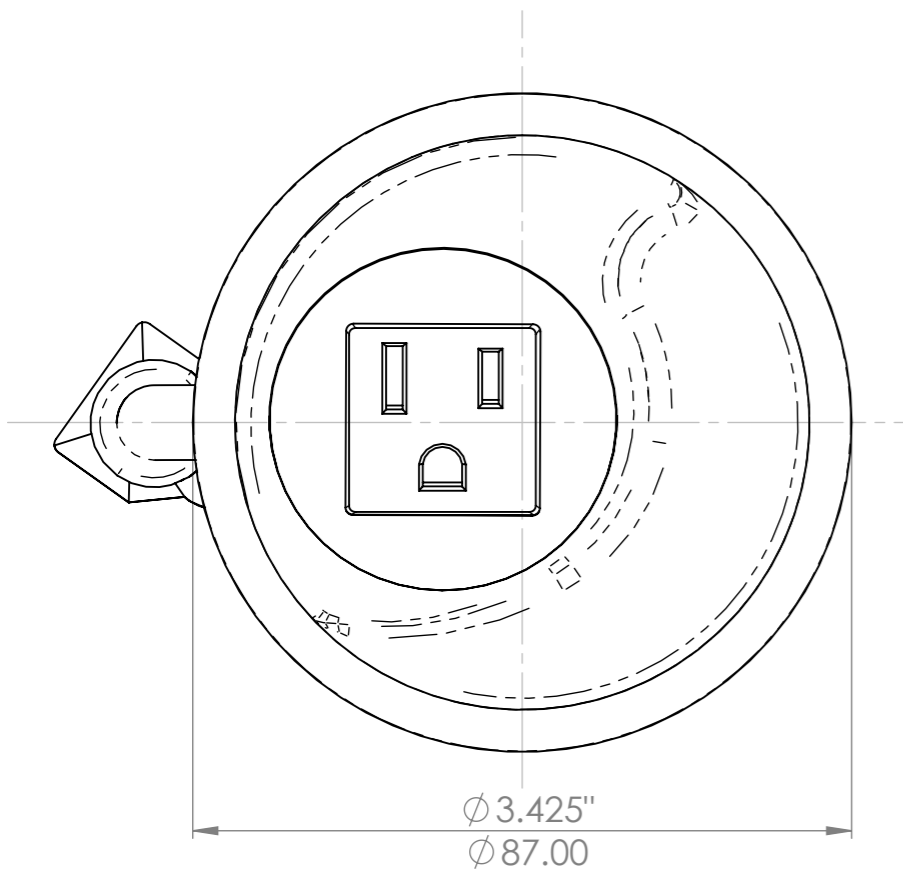
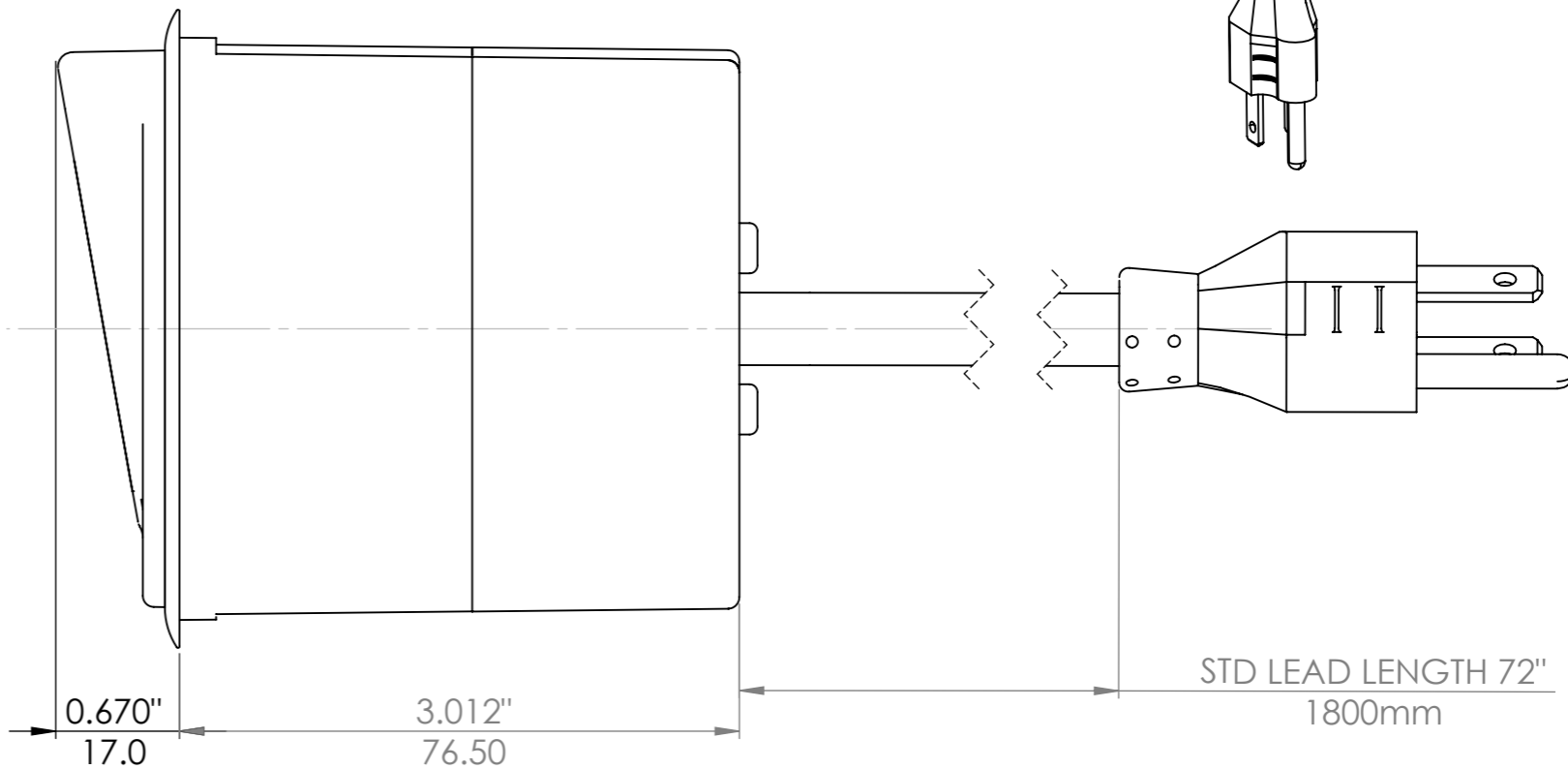
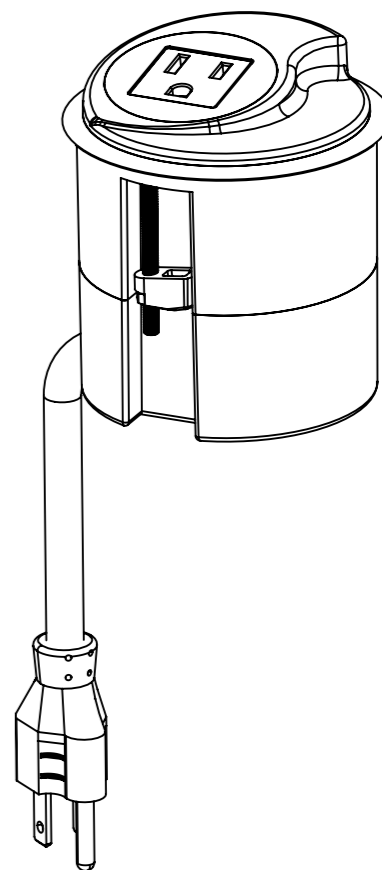
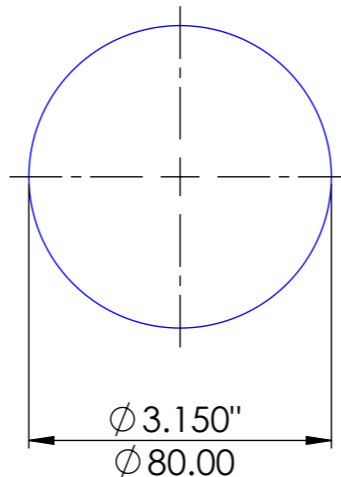


CUTOUT SIZE

MIN TABLE THICKNESS: 1/8" (3 mm)
 MAX TABLE THICKNESS: 1.25" (32 mm)



REV	DESCRIPTION	DATE	DRWN	APPV
3	METRIC DIMENSIONS ADDED, LABELS UPDATED	19/03/2019	CM	
2	US SOCKET CHANGED FROM IDC TO SOLDER TERMINAL TYPE	29/01/2019	RG	RG
1	TEST SAMPLE RELEASE	26/07/2018	CM	
REVISIONS				

CUSTOMER SIGNATURE:	
MATERIAL:	AS NOTED
FINISH:	
COLOUR:	AS NOTED
THIS DRAWING & ASSOCIATED CAD FILES ARE ISSUED IN THE STRICTEST CONFIDENCE AND ARE ONLY TO BE USED IN THE COMMERCIAL INTERESTS OF CMS ELECTRACOM PTY LTD	

TOLERANCES UNLESS OTHERWISE STATED:

- X ± 0.5
- X.X ± 0.2
- X.XX ± 0.1
- X.XXX ± 0.05
- ANG $\pm 0.5^\circ$

DRAWN IN mm TO AS1100 DO NOT SCALE



CMS Electracom COPYRIGHT © 2015

TITLE: **KONEXUS US SOCKET**

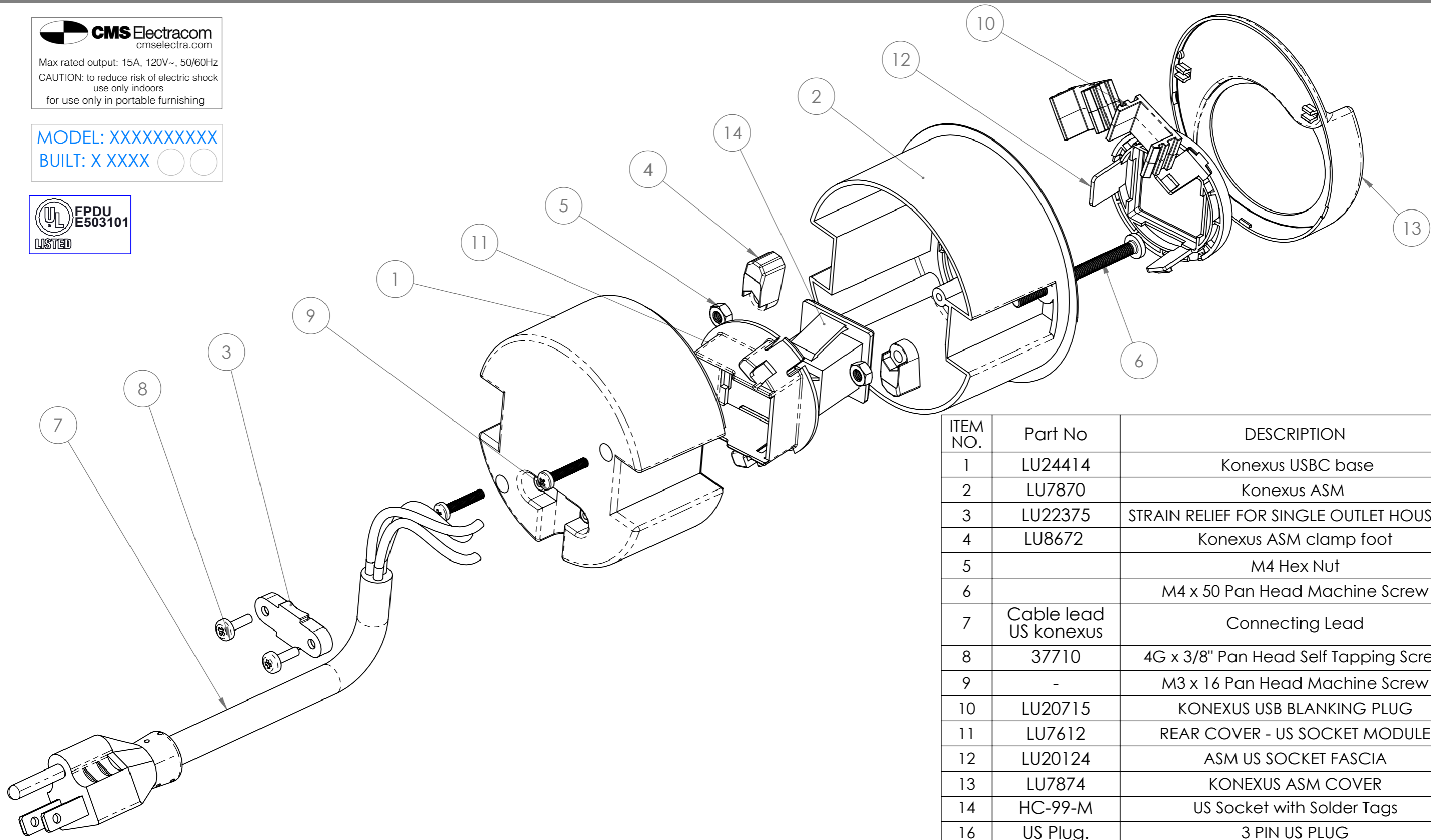
DRAWING: **LU26320**

REV: **3**
A3

SCALE 1:1

SHEET 1 OF 2

MODEL: XXXXXXXXXX
BUILT: X XXXX



ITEM NO.	Part No	DESCRIPTION	QTY.
1	LU24414	Konexus USBC base	1
2	LU7870	Konexus ASM	1
3	LU22375	STRAIN RELIEF FOR SINGLE OUTLET HOUSING	1
4	LU8672	Konexus ASM clamp foot	2
5		M4 Hex Nut	2
6		M4 x 50 Pan Head Machine Screw	2
7	Cable lead US konexus	Connecting Lead	1
8	37710	4G x 3/8" Pan Head Self Tapping Screw	2
9	-	M3 x 16 Pan Head Machine Screw	2
10	LU20715	KONEXUS USB BLANKING PLUG	2
11	LU7612	REAR COVER - US SOCKET MODULE	1
12	LU20124	ASM US SOCKET FASCIA	1
13	LU7874	KONEXUS ASM COVER	1
14	HC-99-M	US Socket with Solder Tags	1
16	US Plug.	3 PIN US PLUG	1

CUSTOMER SIGNATURE:
MATERIAL: AS NOTED
FINISH:
COLOUR: AS NOTED

THIS DRAWING & ASSOCIATED CAD FILES ARE ISSUED IN THE STRICTEST CONFIDENCE AND ARE ONLY TO BE USED IN THE COMMERCIAL INTERESTS OF CMS ELECTRACOM PTY LTD

TOLERANCES UNLESS OTHERWISE STATED:

X ±0.5
X.X ±0.2
X.XX ±0.1
X.XXX ±0.05
ANG ±0.5°

DRAWN IN mm TO AS1100 DO NOT SCALE



CMS Electracom COPYRIGHT © 2015

TITLE: KONEXUS US SOCKET

DRAWING: LU26320

REV: 3 **A3**

SCALE 1:5

SHEET 2 OF 2