

REV	DESCRIPTION	DATE	DRWN	APPV
3	IMPERIAL SIZES ADDED	12/04/2019	CM	
2	RELEASED FOR PRODUCTION	19/11/2018	KV	RG
1	RELEASED FOR QUOTATION -NOT FOR PRODUCTION	10/10/18	KV	RG
REVISIONS				

<b>CUSTOMER SIGNATURE:</b>	
<b>MATERIAL:</b>	NOTED
<b>FINISH:</b>	NOTED
<b>COLOUR:</b>	AS REQUESTED
THIS DRAWING & ASSOCIATED CAD FILES ARE ISSUED IN THE STRICTEST CONFIDENCE AND ARE ONLY TO BE USED IN THE COMMERCIAL INTERESTS OF CMS ELECTRACOM PTY LTD	

**TOLERANCES UNLESS OTHERWISE STATED:**

X ±0.5  
X.X ±0.2  
X.XX ±0.1  
X.XXX ±0.05  
ANG ±0.5°

DRAWN IN mm TO AS1100 DO NOT SCALE

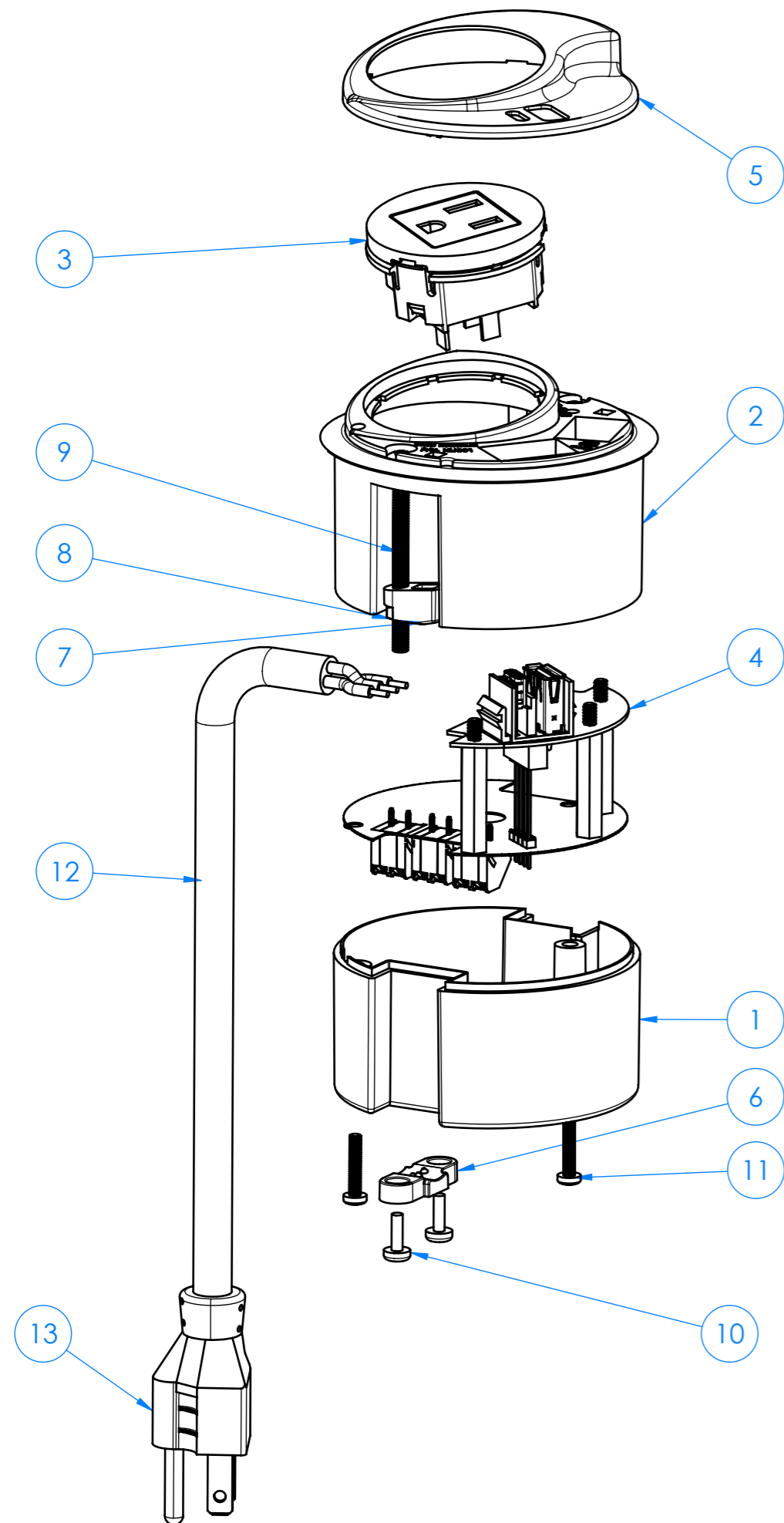


**TITLE:**  
KONEXUS WITH A+C CHARGER

<b>DRAWING:</b> LU27925	<b>REV:</b> 3	<b>A3</b>
SCALE 1:5	SHEET 1 OF 2	



MODEL: XXXXXXXXXX  
 BUILT: X XXXX ○ ○



ITEM NO.	Part No	DESCRIPTION	QTY.
1	LU24414	Konexus USBC base	1
2	LU7870	Konexus ASM	1
3	-	US ASM socket	1
4	CMS830QKD	USB A-C 30W PCB	1
5	LU24685	konexus A & C USB cover	1
6	LU22375	STRAIN RELIEF FOR SINGLE OUTLET HOUSING	1
7	LU8672	Konexus ASM clamp foot	2
8		M4 Hex Nut	2
9		M4 x 50 Pan Head Machine Screw	2
10	37710	4G x 3/8" Pan Head Self Tapping Screw	2
11	7011318	M3 x 18 PPH	2
12	-	1500mm CONNECTING LEAD	1
13	-	TYPE B US PLUG	1

<b>CUSTOMER SIGNATURE:</b>
<b>MATERIAL:</b> PC-FR
<b>FINISH:</b> TEXTURED/POLISHED
<b>COLOUR:</b> VARIOUS
THIS DRAWING & ASSOCIATED CAD FILES ARE ISSUED IN THE STRICTEST CONFIDENCE AND ARE ONLY TO BE USED IN THE COMMERCIAL INTERESTS OF CMS ELECTRACOM PTY LTD

TOLERANCES UNLESS OTHERWISE STATED:

X ±0.5  
 X.X ±0.2  
 X.XX ±0.1  
 X.XXX ±0.05  
 ANG ±0.5°

DRAWN IN mm TO AS1100 DO NOT SCALE



**CMS Electracom** COPYRIGHT © 2015

TITLE:

**KONEXUS WITH A+C CHARGER**

DRAWING:

**LU27925**

REV:

**3**

**A3**

SCALE 1:5

SHEET 2 OF 2