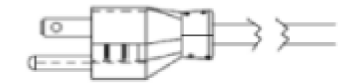
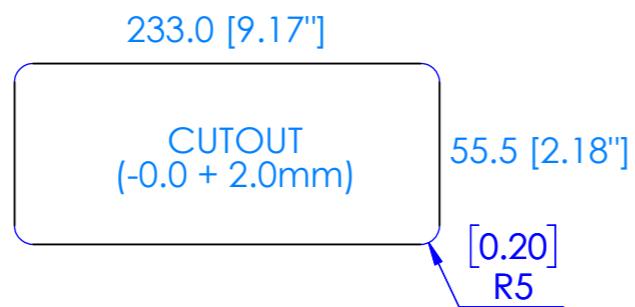
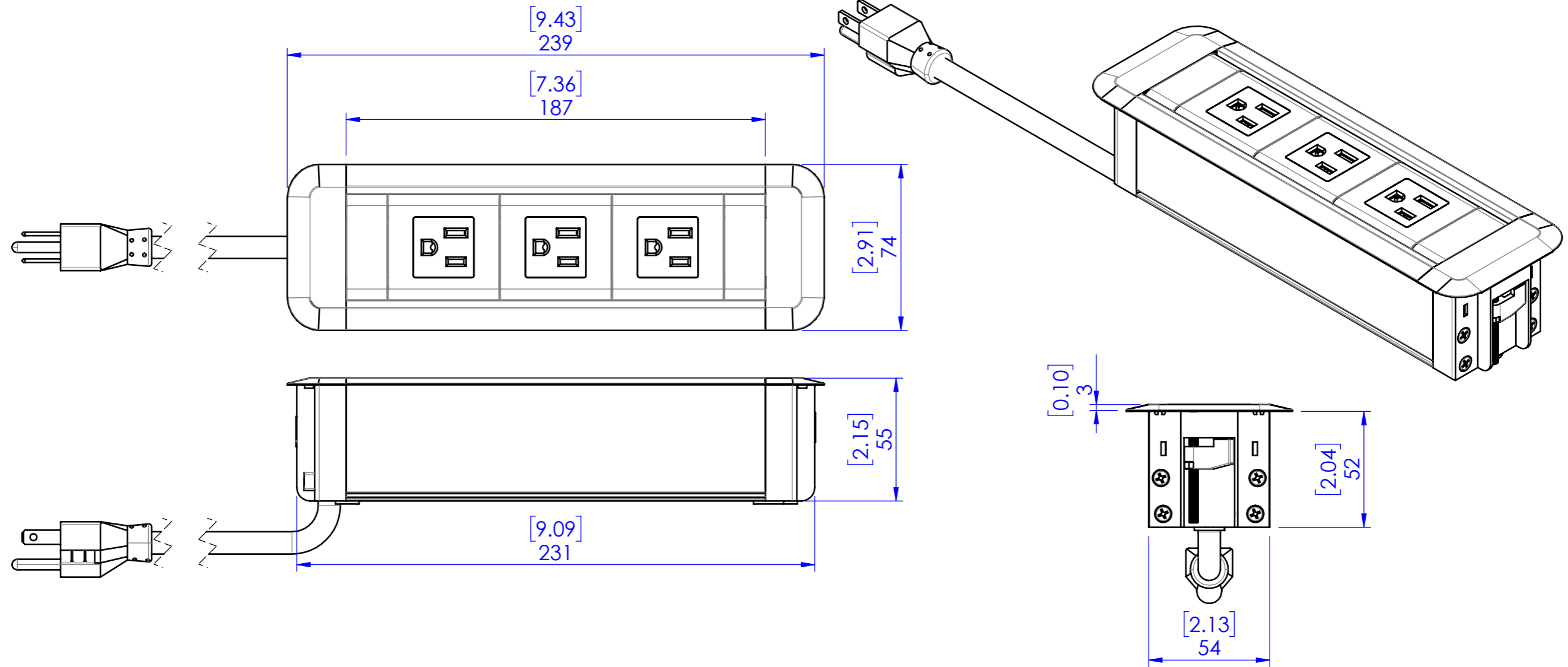



NOTE:



CABLE TYPE: 1.5MM  
 PART NUMBER:  
 DESCRIPTION: TYPE B PLUG TO FREE END LEAD  
 LENGTH: 1800mm (72')



<b>CUSTOMER SIGNATURE:</b>	<b>TOLERANCES UNLESS OTHERWISE STATED:</b>  X ±0.5 X.X ±0.2 X.XX ±0.1 X.XXX ±0.05 ANG ±0.5°
<b>MATERIAL:</b> PLASTIC / ALUMINIUM	
<b>FINISH:</b> FINE EDM / ANODISED	
<b>COLOUR:</b> WHITE / SILVER	
THIS DRAWING & ASSOCIATED CAD FILES ARE ISSUED IN THE STRICTEST CONFIDENCE AND ARE ONLY TO BE USED IN THE COMMERCIAL INTERESTS OF CMS ELECTRACOM PTY LTD	

 <b>CMS Electracom</b>		COPYRIGHT © 2015	
<b>TITLE:</b> CENTRA WITH 3 US SOCKET			
<b>DRAWING:</b> LU28112		<b>REV:</b> 1	A3
SCALE 1:2		SHEET 1 OF 2	

DRAWN IN mm TO AS1100 DO NOT SCALE