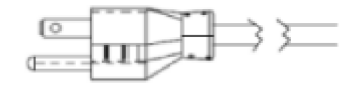
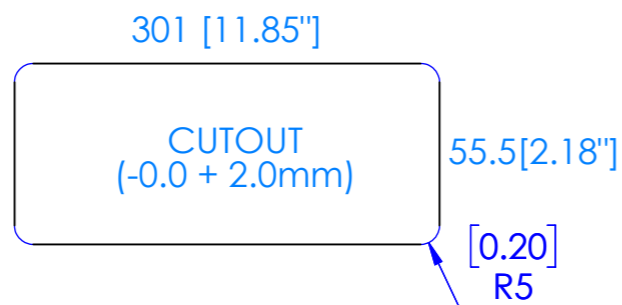
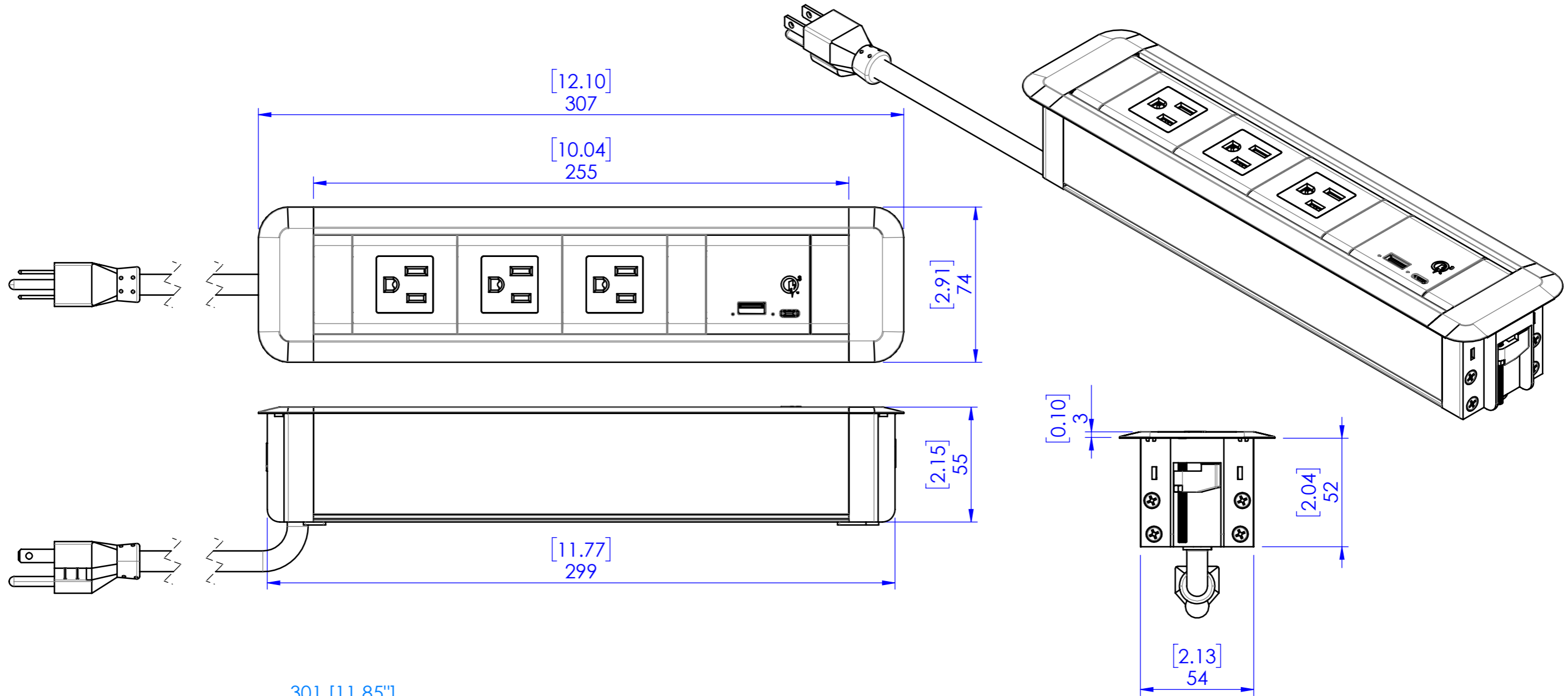



NOTE:



CABLE TYPE: 1.5MM
 PART NUMBER:
 DESCRIPTION: TYPE B PLUG TO FREE END LEAD
 LENGTH: 1800mm (72')



CUSTOMER SIGNATURE:	TOLERANCES UNLESS OTHERWISE STATED: X ±0.5 X.X ±0.2 X.XX ±0.1 X.XXX ±0.05 ANG ±0.5°
MATERIAL: PLASTIC / ALUMINIUM	
FINISH: FINE EDM / ANODISED	
COLOUR: WHITE / SILVER	
THIS DRAWING & ASSOCIATED CAD FILES ARE ISSUED IN THE STRICTEST CONFIDENCE AND ARE ONLY TO BE USED IN THE COMMERCIAL INTERESTS OF CMS ELECTRACOM PTY LTD	

 CMS Electracom		COPYRIGHT © 2015	
TITLE: CENTRA WITH 3 US SOCKET + 1 SW18UAC3FL			
DRAWING: LU28177		REV: 1	A3
SCALE 1:2		SHEET 1 OF 2	

DRAWN IN mm TO AS1100 DO NOT SCALE